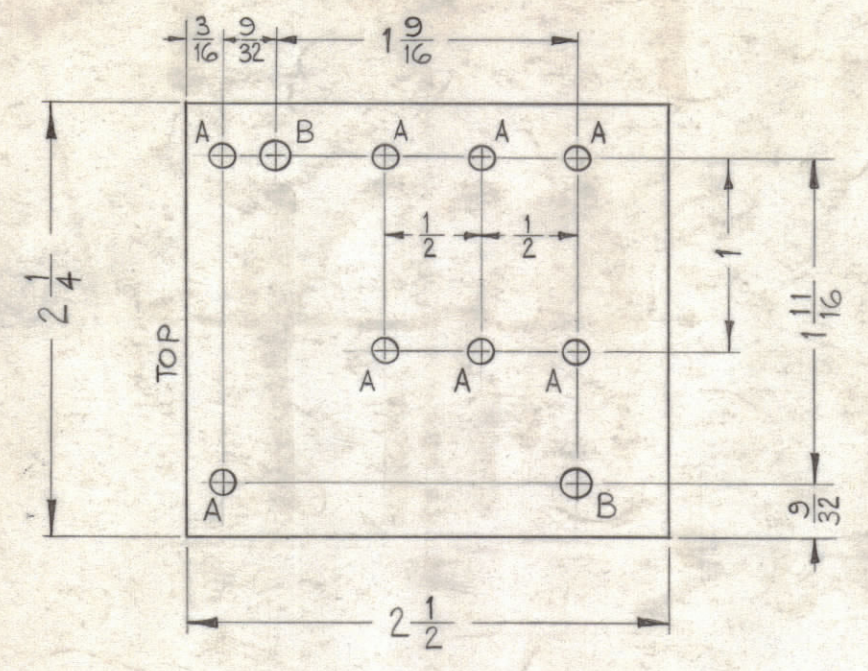


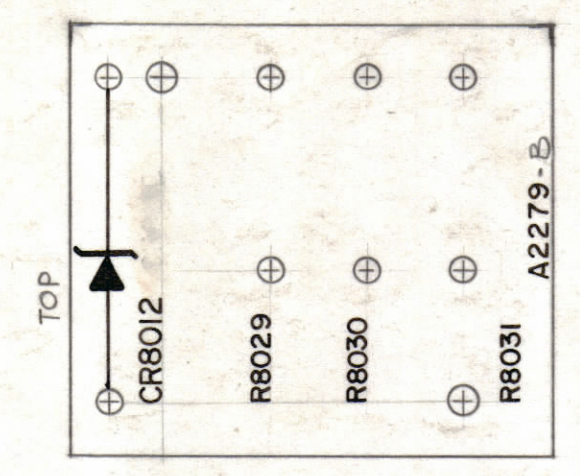
A-2279 B

A ~ .116 DIA. 8 REQ.
B ~ 5/32 DIA. 2 "

ALL LETTERING TO BE 1/8 HIGH BLACK GOTHIC.



STAGE 1 - MACHINING (A-2279-1).
MATERIAL 1/8, XXXP, PHENOLIC, FINISH - NATURAL



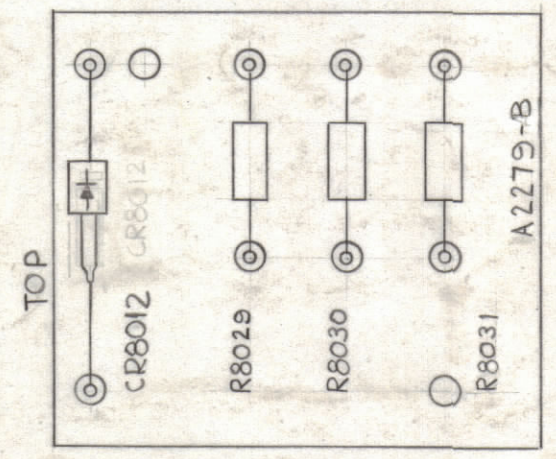
STAGE 2 - STAMPING (A-2279-2)
ALL LETTERING 1/8 HIGH BLACK LUSTERLESS GOTHIC. (MARKING PROCESS: AS PER TMC SPECIFICATION S-727)

1 MOUNT IN ALL "A" HOLES AS SHOWN.

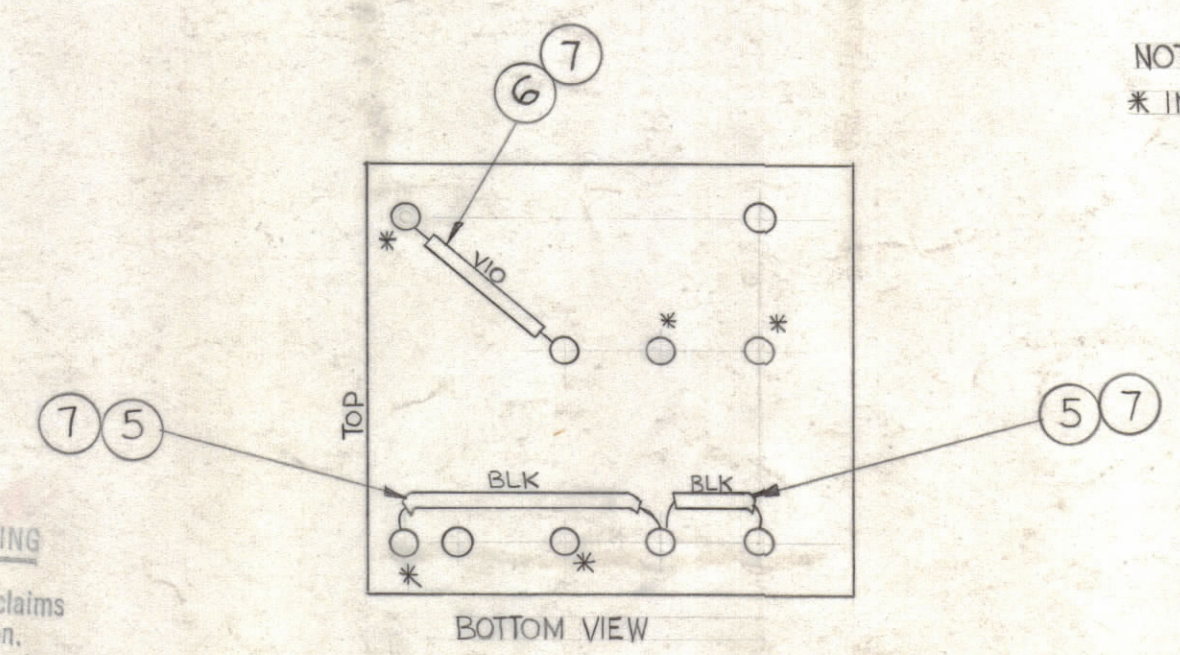


LETTERING ON THIS SIDE

STAGE 3 - SUB-ASS'Y (A-2279-3).



TOP VIEW



BOTTOM VIEW

NOTE ~
* INDICATES DO NOT SOLDER

STAGE 4 - ELECTRICAL ASS'Y. (A-2279-4).

NOTICE TO PERSONS RECEIVING THIS DRAWING

THE TECHNICAL MATERIEL CORPORATION claims proprietary right in the material disclosed hereon. This drawing is issued in confidence for engineering information only and may not be reproduced or used to manufacture anything shown hereon without permission from THE TECHNICAL MATERIEL CORPORATION to the user. This drawing is loaned for mutual assistance and is subject to recall at any time.

Property of:
THE TECHNICAL MATERIEL CORPORATION
MAMARONECK, NEW YORK

B	B2	ITEM(6) WAS PX-100-T-034(5) WAS PX-100-1-034	3-11-63	8456			
A	B2	ITEM(2) WAS IN 3041B	2-12-63	8247			
SYM	ZONE	DESCRIPTION	DATE	CH. NO.	DRAFTS	CHECKER	ENG. APP.

UNLESS OTHERWISE SPECIFIED:
DIMENSIONS ARE IN INCHES
TOLERANCES ON FRACTIONS ± 1/64 DECIMALS ± .005 ANGLES ± 1/2°

SCALE
MAXIMUM ALLOWABLE TOLERANCES HAVE BEEN DETERMINED AND ANY DEVIATIONS WILL BE CAUSE FOR REJECTION. REMOVE ALL BURRS & SHARP EDGES

1	HFP-1		A-2382-10	1-2-62
REQ. PER UNIT	MODEL	SECTION	ASS'Y. NO.	DATE
USED ON				

X	8	BS-100	SOLDER, SOFT	*
X	7	WL-100-7	WIRE, BUSS	
3/4	6	PX-104-9-.034	INSULATION, SLEEVING	VIOLET
1 3/4	5	PX-104-1-.034	INSULATION, SLEEVING	BLACK
2	4	RC42GF154K	RESISTOR, FIXED COMPOSITION	R8030, 31
1	3	RC42GF332J	RESISTOR, FIXED COMPOSITION	R8029
1	2	1N3041B	ZENER DIODE	CR8012
8	1	TE-109-3	TERMINAL LUG, SPLIT	

REQ. ITEM	PART NO.	DESCRIPTION	SYMBOL
THE TECHNICAL MATERIEL CORP. MAMARONECK, NEW YORK			
STOCK SIZE			
TERMINAL BOARD AND COMPONENT ASS'Y #3 (TB-8003)			
MATERIAL			
DRAWN		CHECKED	
RK		RK	
TYPE & TEMPER		HEAT TREAT. SPEC.	
FINISH & SPEC. NO.		FINAL APPROVAL	
ELEC. DES. APP.		MECH. DES. APP.	
SHEET		OF	
A-2279		B	