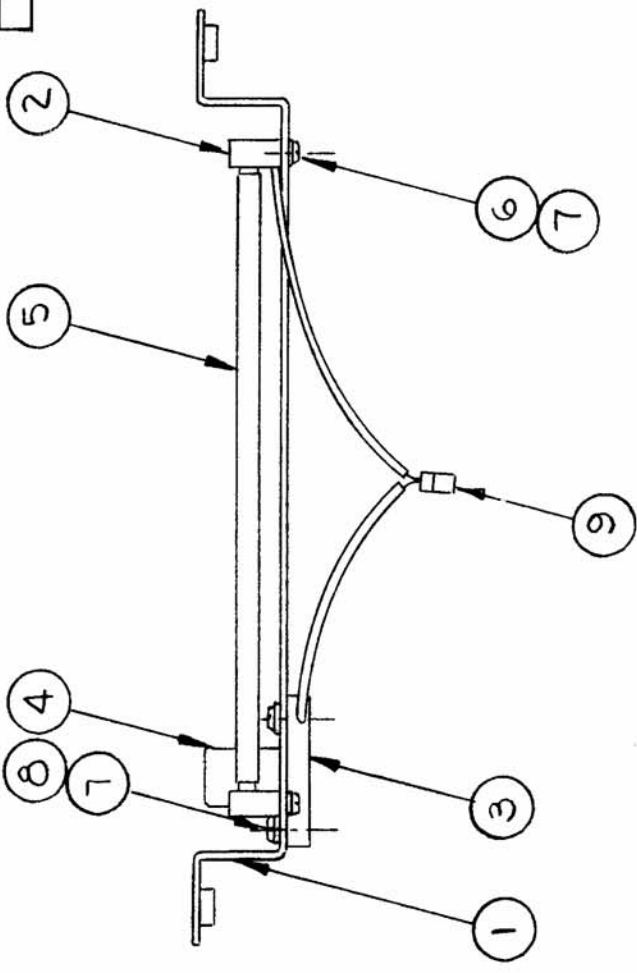


REQ. PER UNIT: 1  
 MODEL: GPT-10K  
 ASSY. NO.: AX-107  
 DATE: 3-16-66  
 USED ON: A2276



1	9	NT-121-71B	NUT, WIRE
2	8	SCBP0632BN10	SCREW, MACHINE
4	7	LWE06MRN	WASHER, LOCKING, EXTERNAL
2	6	SCBP0632BN6	SCREW MACHINE
1	5	BI107	LAMP, FLUORESCENT
1	4	PO170	STARTER, FLUOR.
1	3	TS140	SOCKET, STARTER
2	2	TS141	SOCKET, LAMP FLUOR.
1	1	LD550/MS1553	BRACKET, LIGHT

REQ. ITEM	PART NO.	DESCRIPTION	SYMBOL
		BUDETTI	
THE TECHNICAL MATERIEL CORP. MAMARONECK, NEW YORK			
LIGHT, CHASSIS, ASSEMBLY			
W/O BALLAST			
TYPE & TEMPER	HEAT TREAT. SPEC.	CHECKED	FINAL APPROVAL
		JL	3/16/66
ELEC. DES. APP. MECH. DES. APP.			
FINISH & SPEC. NO.			
A2276			

DATE: 3-17-66  
 CH. NO.: #  
 DRAFTS: Jc  
 CHECKER: #  
 ENG. APP. #  
 SCALE: #  
 CODE: #  
 ORIGINAL RELEASE FOR PRODUCTION  
 UNLESS OTHERWISE SPECIFIED DIMENSIONS ARE IN INCHES AND INCLUDE CHEMICALLY APPLIED OR PLATED FINISHES  
 TOLERANCES: .X ± .05, .XX ± .01, .XXX ± .005  
 FRACTIONS: ± 1/64, ANGLES: ± 0° 30'