

A-2242

THE CONTENTS OF THIS DRAWING ARE THE EXCLUSIVE PROPERTY OF THE TECHNICAL MATERIEL CORP. ITS UNAUTHORIZED USE OR REPRODUCTION IN WHOLE OR IN PART IS STRICTLY FORBIDDEN.

COIL DATA

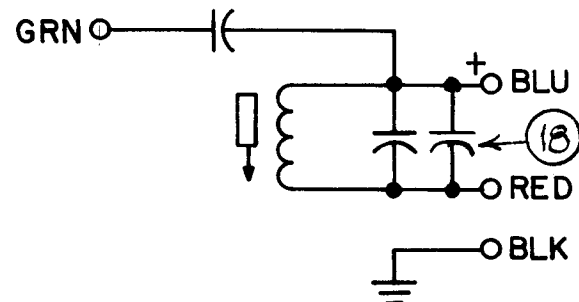
SPECIFICATIONS	PRIMARY
CAM	.250
CAM GEAR	107
CAM DRIVER	70
IND (uh)	145-155
Q	80 or better
COIL RES Ω	3.5
TEST FREQ. (KC)	790
CAPACITOR (PF)	

WINDING INSTRUCTIONS

URNS	155
WIRE	12/43 Q.S. LITZ

WINDING DATA

- WIND PRIMARY (ITEM 5) STARTING 3/8 FROM END. STAKE ENDS WITH GL-103 (ITEM 9).
- COLOR CODE BASE AS SHOWN.
- STRIP & TIN LEADS. SOLDER TO CORRECT COLOR-CODED TERMINALS
- MEASURE Q, IND, RES W/O CORE
- BAKE FOR 15 MIN AT 220°F. SATURATE COILS WITH GL-102 (ITEM 10).
- SOLDER 1500 PF CAPACITOR (ITEM 13) ACROSS RING TERMINALS.
- SOLDER COIL & COMPONENT LEADS TO PROPER COLOR-CODED BASE TERMINALS, MTG. COIL SO THAT THE START OF WINDING IS NEAREST THE BASE.
- SOLDER & TRIM GROUND LUG (ITEM 14) TO BLK TERMINAL
- ASSEMBLE AS PER ASSEMBLY DWG, PLACE IN CAN.

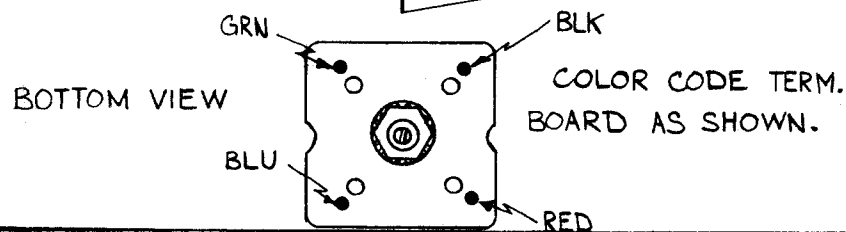
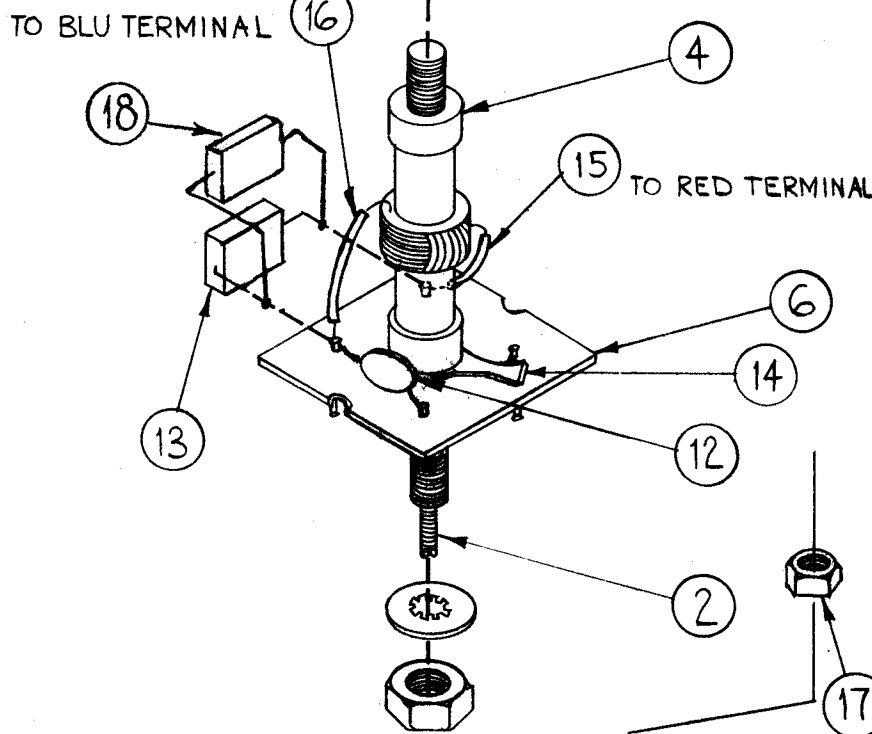


SCHMATIC DIAGRAM

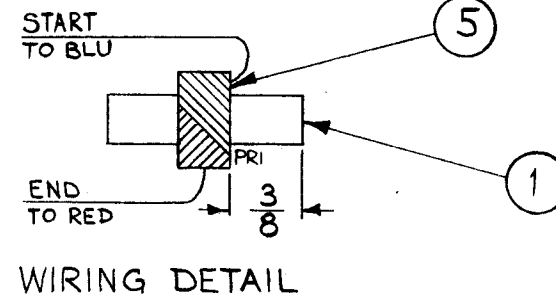
D	IT. 18 ADDED TMC CHART REVISED	11/3/65	15089	P.V.		
C	IDENT. CHART ADDED	8-23-65	14705	R.V.		
B	ITEM 17 ADDED TO DWG	11/14/63	10412	KE		
A	ITEM 12 WAS CC-100-9; PICTORIAL CLARIFIED	5-22-62	6743	EE		

SYM	DESCRIPTION	DATE	CH. NO.	DRAFTS	CHECKER	ENG. APP.
UNLESS OTHERWISE SPECIFIED:						
DIMENSIONS ARE IN INCHES						
TOLERANCES ON FRACTIONS $\pm 1/64$ DECIMALS $\pm .005$ ANGLES $\pm 1/20$						
SCALE: DO NOT SCALE						
MAXIMUM ALLOWABLE TOLERANCES HAVE BEEN DETERMINED AND ANY DEVIATIONS WILL BE CAUSE FOR REJECTION. REMOVE ALL BURRS AND SHARP EDGES						

STAMP TMC
PART NO. $\frac{1}{8}$ HIGH
BLACK GOTHIC
AS PER CHART.



REQ. PER UNIT	MODEL	SECTION	ASS'Y. NO.	DATE
3	AFC-7			11-3-65
3	AFC-3			4-12-62
3	AFC-2, 2A			12-7-61



WIRING DETAIL

TMC ASS'Y No.	TMC P/N.	OPR. FREQ.	ITEM # 13	ITEM # 18
A-2242	AC-141	250 KC	CM100-10	NONE
A-2242-2	AC-141-2	205 KC	CM112F202G5S	CM111F321G5S

REQ.	ITEM	PART NO.	DESCRIPTION	SYMBOL
1	18	SEE CHART	CAP, FXD, MICA	
1	17	NTH0348BN6	NUT, HEX	
X	16	PX-104-6-.085	INSULATION SLEEVING	BLUE
X	15	PX-104-3-.085	INSULATION SLEEVING	RED
1	14	TE-104-3	TERMINALS, LOCKING	
1	13	SEE CHART	CAPACITOR, FIXED MICA	
1	12	CC-100-29	CAPACITOR, FIXED CERAMIC	
X	11	BS-100	SOLDER, SOFT	
X	10	GL-102	Q-DOPE	
X	9	GL-103	DUCO	
2	8	NTH0832BN8	HEX, NUT	
2	7	LWI08MRN	LOCKWASHER, INTERNAL	
1	6	PX-635	TERMINAL BOARD, TRANSF, 4 LUGS	
X	5	WI104-1243SC-QS	WIRE 12/43 QUICK SOLDER LITZ	
2	4	SM-140-2	BUSHING, COIL MTG.	
1	3	A-3029-2	CAN ASS'Y	
1	2	CI-116-6	CORE, TUNING	
1	1	CF-122-1.0	COIL FORM .250 O.D.	

REQ.	ITEM	PART NO.	DESCRIPTION	SYMBOL
THE TECHNICAL MATERIEL CORP. MAMARONECK, NEW YORK				
AC-141 ASS'Y				
COIL ASS'Y FOR CARRIER AMPL.				
STOCK SIZE				
MATERIAL				
TYPE & TEMPER				
HEAT TREAT. SPEC.				
FINISH & SPEC. NO.				
ELEC. DES. APP. MECH. DES. APP.				