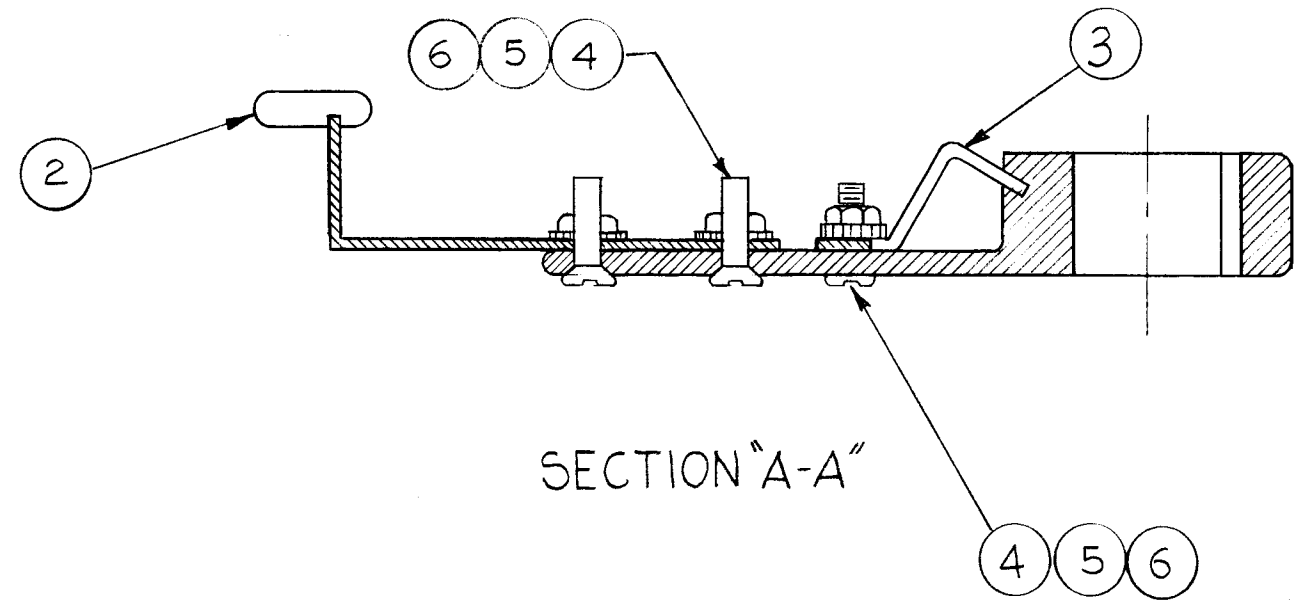
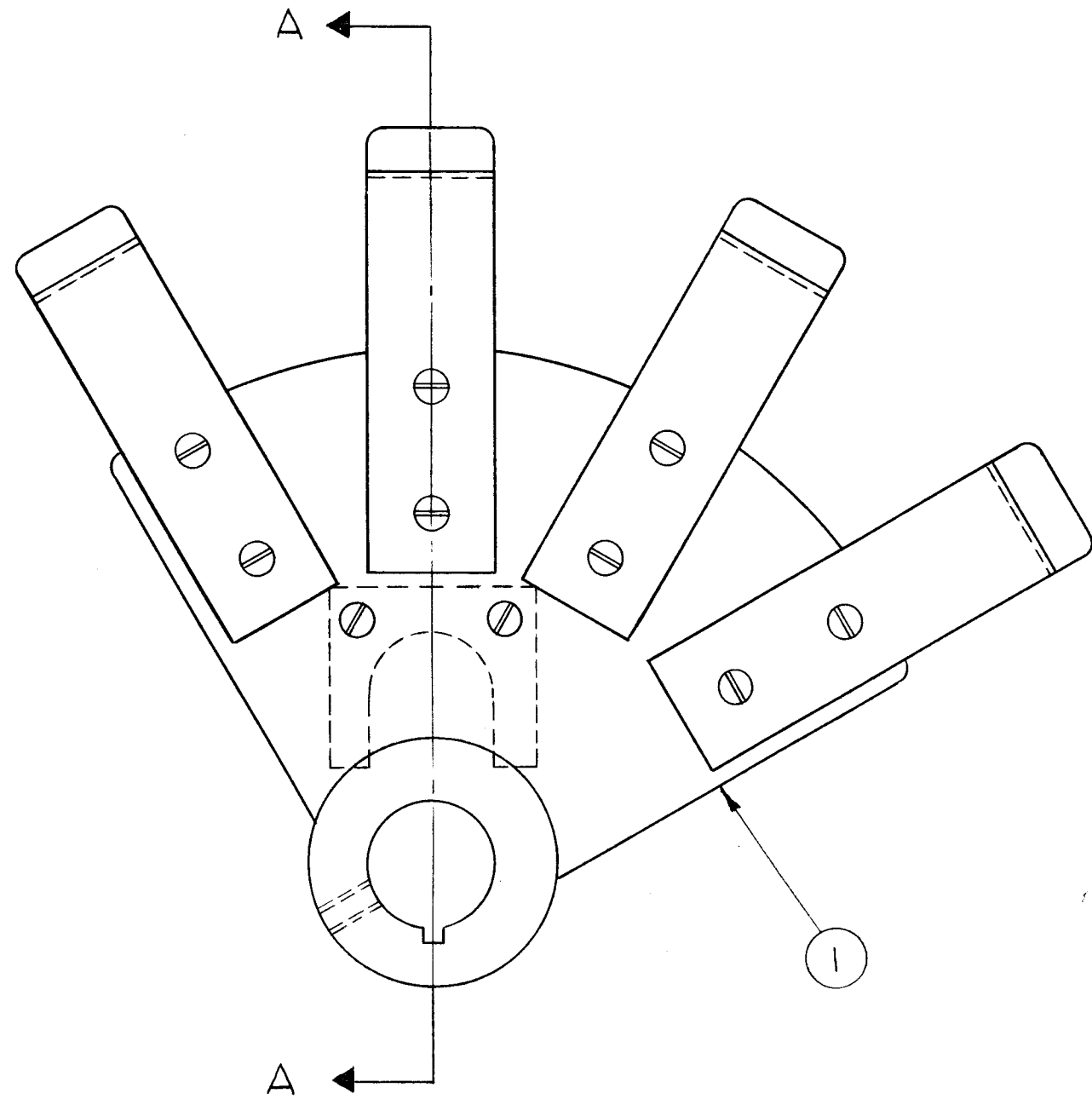


A-2198



10	6	NTH0832BN8	NUT, HEX
10	5	LWE08MRN	LOCKWASHER, EXTERNAL
10	4	SCBS0832BN8	8-32 BINDERHEAD SCREW
1	3	MS-457	SPRING CONTACT
4	2	A-1819-2	SHOE CONTACT ASS'Y
1	1	PM-719	ROTOR PLATE

REQ.	ITEM	PART NO.	DESCRIPTION	SYMBOL
			THE TECHNICAL MATERIEL CORP. MAMARONECK, NEW YORK	
STOCK SIZE			AR-136 ASS'Y	
MATERIAL			ROTOR ASS'Y L SECTION	
		G.D.L.	DDM	23
TYPE & TEMPER		HEAT TREAT. SPEC.	DRAWN	CHECKER
FINISH & SPEC. NO.		ELEC. DES. APP.	MECH. DES. APP.	A-2198

SYM	DESCRIPTION	DATE	CH. NO.	DRAFTS	CHECKER	ENG. APP.

UNLESS OTHERWISE SPECIFIED:
 DIMENSIONS ARE IN INCHES
 TOLERANCES ON FRACTIONS ± 1/64 DECIMALS ± .005 ANGLES ± 1/2°

SCALE:
 MAXIMUM ALLOWABLE TOLERANCES HAVE BEEN DETERMINED AND ANY DEVIATIONS WILL BE CAUSE FOR REJECTION.
 REMOVE ALL BURRS AND SHARP EDGES

1	GPT-40K	AS-120		11-8-61
REQ. PER UNIT	MODEL	SECTION	ASS'Y. NO.	DATE

USED ON