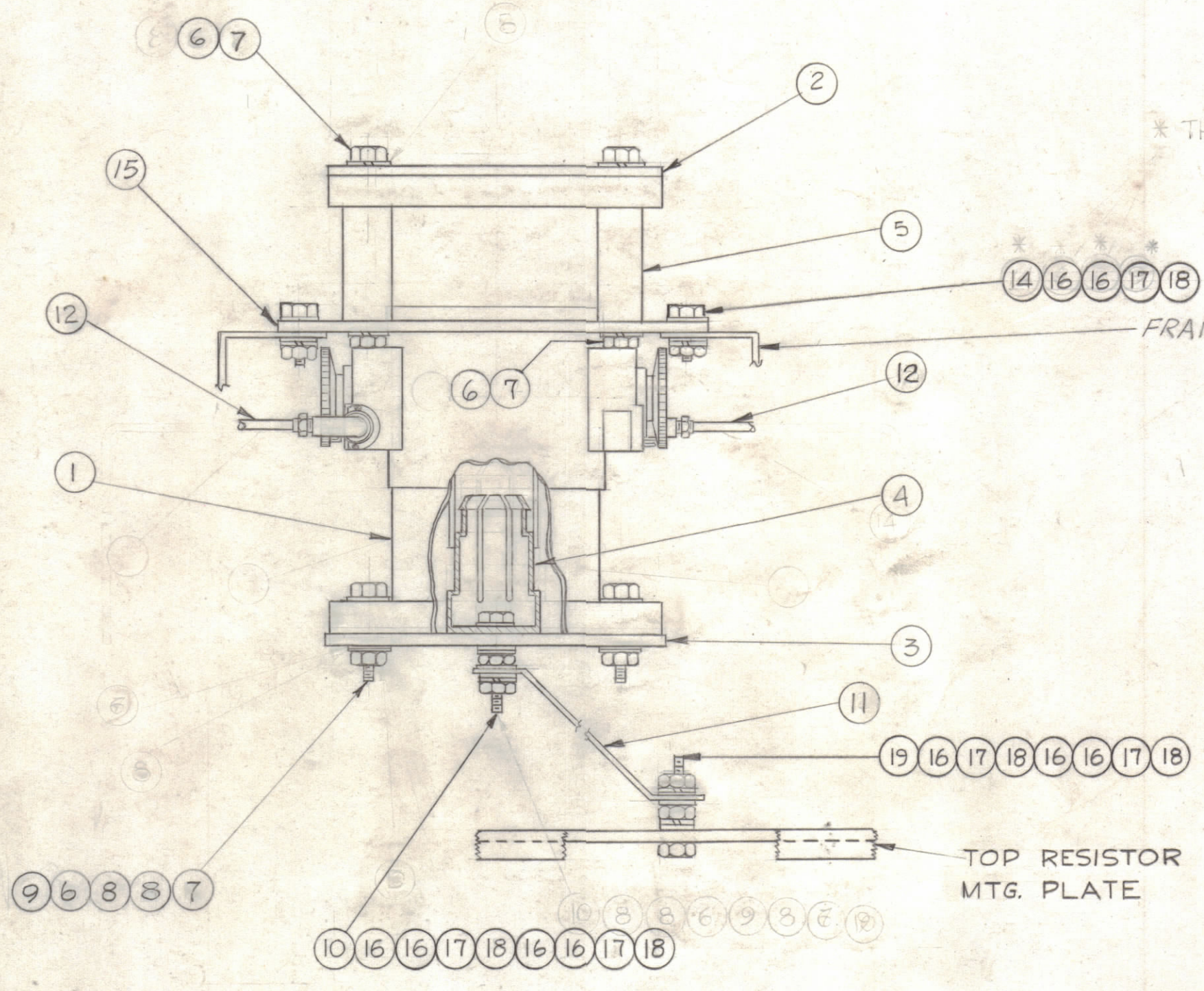


NOTICE TO PERSONS RECEIVING THIS DRAWING

THE TECHNICAL MATERIEL CORPORATION claims proprietary right in the material disclosed hereon. This drawing is issued in confidence for engineering information only and may not be reproduced or used to manufacture anything shown hereon without permission from THE TECHNICAL MATERIEL CORPORATION to the user. This drawing is loaned for mutual assistance and is subject to recall at any time.

Property of:
THE TECHNICAL MATERIEL CORPORATION
 MAMARONECK, NEW YORK



* THESE PARTS ARE SUPPLIED AS LOOSE ITEMS (8 REQ. EACH PART)

FRAME (SHOWN FOR REPRESENTATION PURPOSE ONLY)

TOP RESISTOR MTG. PLATE

1	19	SCHH2520BN14	BOLT, MACHINE
12	18	NTH2520BN14	NUT, HEX
12	17	LWS25MRN	LOCKWASHER, SPLIT
23	16	FW25HBN	WASHER, FLAT
2	15	MS-2170	PLATE, MTG. DIRECTIONAL COUPLER
8	14	SCHH2520BN10	BOLT, MACHINE
1	13	DELETED	CABLE, RF, 22"
2	12	CA-646-2	CABLE, RF, 22"
1	11	MS-202-25-400	STRAP, CONNECTING
1	10	SCHH2520BN20	BOLT, MACHINE
6	9	NTH3118BN16	NUT, HEX
12	8	FW31HBN	WASHER, FLAT
18	7	SCHH3118BN16	BOLT, MACHINE
18	6	LWS31MRN	LOCKWASHER, SPLIT
6	5	TE3118AE53R	SPACER, 3/4" DIA X 1 3/4" LONG
1	4	PO-203-50	CONNECTOR, INNER 3/8" HELIAX
1	3	PX-577	PLATE, DIRECTIONAL COUPLER, TEFLON
1	2	MS-2360	PLATE, DIRECTIONAL COUPLER
1	1	DC-101	DIRECTIONAL COUPLER, 50 OHM

C	B3	IT. 4 PIN CHG. WAS PO-203	5/15/72	20687	GE	Q	Q
B	C2	IT. 13 CA-646-1 DELE., IT. 12 WAS 1 REQ.	10.5.64	12526	W.B.	Q	Q
A	C3	Item 19 Was NTH2520BN14, 16 Req.	12-2-61	5943	I. A.	Q	Q
	C3; C3	Item 8 Was FW25HBN, 20 Req.; Item 14 Was 14 Req.					
	B3; D3	Item 7 Was SCHH2520BN16, 12 Req.; Items 6, 7, 8, 9 Added					
	B3	Item 5 Was TE-2520AE24R; Item 6 Was LWS25MRN, 28 Req.					

SYM	ZONE	DESCRIPTION	DATE	CH. NO.	DRAFTS	CHECKER	ENG. APP.
UNLESS OTHERWISE SPECIFIED:							
DIMENSIONS ARE IN INCHES			SCALE				
TOLERANCES ON FRACTIONS ± 1/64			MAXIMUM ALLOWABLE TOLERANCES HAVE BEEN DETERMINED AND ANY DEVIATIONS WILL BE CAUSE FOR REJECTION. REMOVE ALL BURRS & SHARP EDGES				
DECIMALS ± .005							
ANGLES ± 1/2°							

1	TER-25K-C-50			10-5-61
REQ. PER UNIT	MODEL	SECTION	ASS'Y. NO.	DATE

REQ.	ITEM	PART NO.	DESCRIPTION	SYMBOL
THE TECHNICAL MATERIEL CORP. MAMARONECK, NEW YORK				
STOCK SIZE				
DIRECTIONAL COUPLER ASS'Y. 50 OHM				
MATERIAL				
DRAWN		G.D.L. D.D. Wynn F.B.F.B.		
CHECKED		A.A.		
TYPE & TEMPER		HEAT TREAT. SPEC.		
FINISH & SPEC. NO.		ELEC. DES. APP. MECH. DES. APP. SHEET OF		
		A-2184 C		