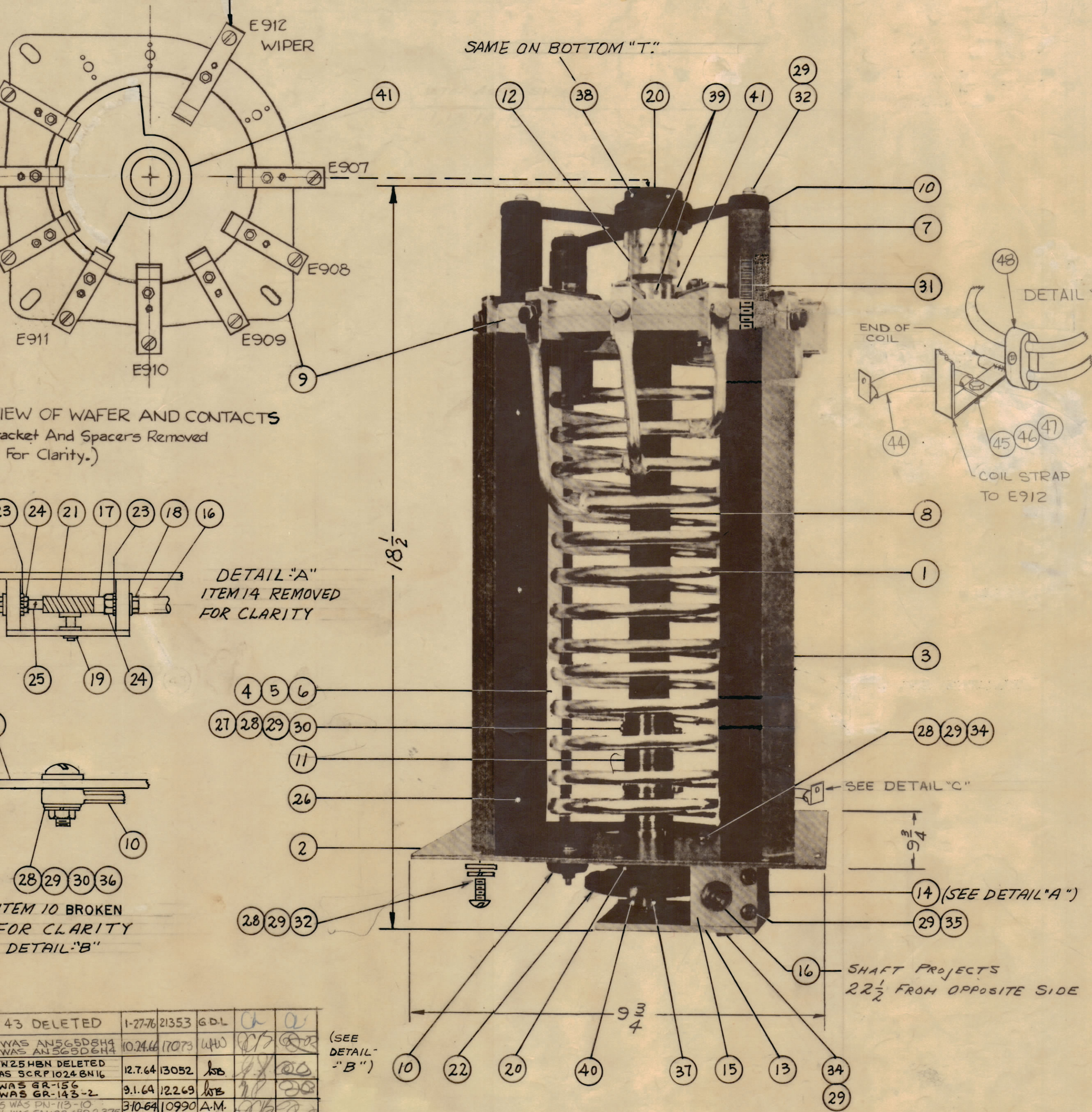
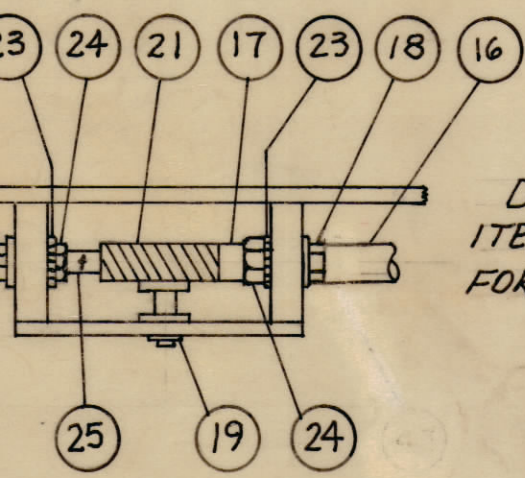


IF ANY TOLERANCE IS NOT SPECIFIED ON THIS DRAWING NOTIFY THE DESIGNER. TOLERANCES HAVE BEEN DETERMINED AND WILL BE CAUSE FOR REJECTION. BURRS AND SHARP EDGES.

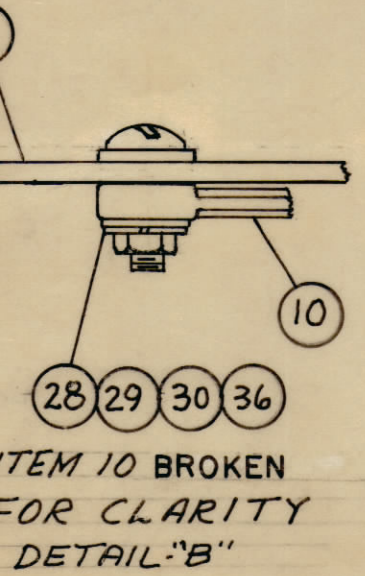
NOTE: CONTACTS, "U" BRACKETS & HARDWARE ARE PART OF ITEM 9.



VIEW OF WAFER AND CONTACTS (Bracket And Spacers Removed For Clarity.)



DETAIL "A" ITEM 14 REMOVED FOR CLARITY



ITEM 10 BROKEN FOR CLARITY DETAIL "B"

SEE DETAIL "C"

SHAFT PROJECTS 22 1/2 FROM OPPOSITE SIDE

43 DELETED	1-27-76	21353	GDL		
WAS AN565D8H4	10-24-66	17073	WHD		
WAS AN565D8H4					
WAS GR-156	9-1-64	12269	WHD		
WAS GR-143-2					
WAS PN-113-10	3-10-64	10990	A.M.		
WAS SM1024BP2.375					
UPDATED	11-1-63	10573	WHD		
WAS BB-120	6-19-63	9324	WHD		
WAS SM1024BP2.375	4-1-63	8727	WHD		
CHANGED FROM	DATE	CH. NO.	DRAFTS	CHECKER	ENG. APP.

(SEE DETAIL "B")

TOLERANCES	SCALE:
±	DRAWN
M. ±	ELEC. DES. APP.
R DIM. ±	MECH. DES. APP.
	FINAL APPROVAL
	A-2178 L

1	GPT-10K	AX-236	AS-119	9-26-61
REQ. PER UNIT	MODEL	PROJECT NO.	ASSY. NO.	DATE
	USED ON			

1	48	PM-823-2	CLAMP, COUPLING
1	47	LWS25MRN	LOCKWASHER, SPLIT
1	46	NTH2520BN14	NUT, HEX
1	45	SCWH2520BN8	SCREW, MACHINE
1	44	FP-193	CONNECTOR, TUBING
	43	DELETED	
	42	DELETED	
1	41	AX-158	ROTOR
1	40	PN-114-2	PIN, GROOVE
6	39	SLHC1032SS4	SET SCREW, 10-32 x 1/4 LG.
4	38	SLHC0632SS4	SET SCREW, 6-32 x 1/4 LG.
1	37	SLHC0832SS4	SET SCREW, 8-32 x 1/4 LG.
3	36	SCBP1032BN14	SCREW, MACHINE
4	35	SCBP1032BN12	SCREW, MACHINE
8	34	SCBP1032BN8	SCREW, MACHINE
	33	DELETED	
9	32	SCBP1024BN16	SCREW, MACHINE
3	31	SM1024BP1.875	ROD, THREADED
5	30	NTH1032BN10	NUT, HEX
26	29	LWS10MRN	LOCKWASHER, SPLIT
19	28	FW10HBN	WASHER, FLAT
2	27	SCBP1032BN24	SCREW, MACHINE
9	26	PN-99-125-16	PIN, SPRING
1	25	PN-114-A	PIN, GROOVED
2	24	NTH5020BN24	NUT, HEX
2	23	LWE50MRN	LOCKWASHER, EXTERNAL
1	22	GR-216	GEAR, WORM WHEEL
1	21	GR-143-4	GEAR, WORM
2	20	BB-120-3	BEARING, RACER
1	19	BB-118-8	BEARING, FLANGED
2	18	BB-116	BUSHING
1	17	PM-559	BUSHING, WORM GEAR
1	16	PM-546	SHAFT, MAIN
2	15	PM-543	SIDEPLATE, GEAR BOX
1	14	PM-542	SUPPORT, GEAR BOX
1	13	PM-541	PLATE, SHAFT SUPPORT
1	12	PM-538	SHAFT HOLDER
1	11	PM-530	SHAFT, BEARING & GEAR
2	10	PO-176	"T" BRACKET
1	9	AX-280	WAFER & CONTACT ASS'Y
1	8	PX-436	SHAFT
3	7	PX-435	SPACER
1	6	PX-583	INSULATOR, #3
1	5	PX-582	INSULATOR, #2
1	4	PX-581	INSULATOR, #1
3	3	PX-429	SUPPORT, COIL
1	2	MS-1508(LD-554)	PLATE, BANDSWITCH, MTG.
1	1	CL-237	COIL, R.F.

REQ. ITEM	PART NO.	DESCRIPTION	SYMBOL
THE TECHNICAL MATERIEL CORP. MAMARONECK, NEW YORK			
STOCK SIZE			
AS-119 ASSEMBLY			
MATERIAL WEIGHT PERFC.			
TYPE & TEMPER			
HEAT TREAT. SPEC.			
FINISH & SPEC. NO.			