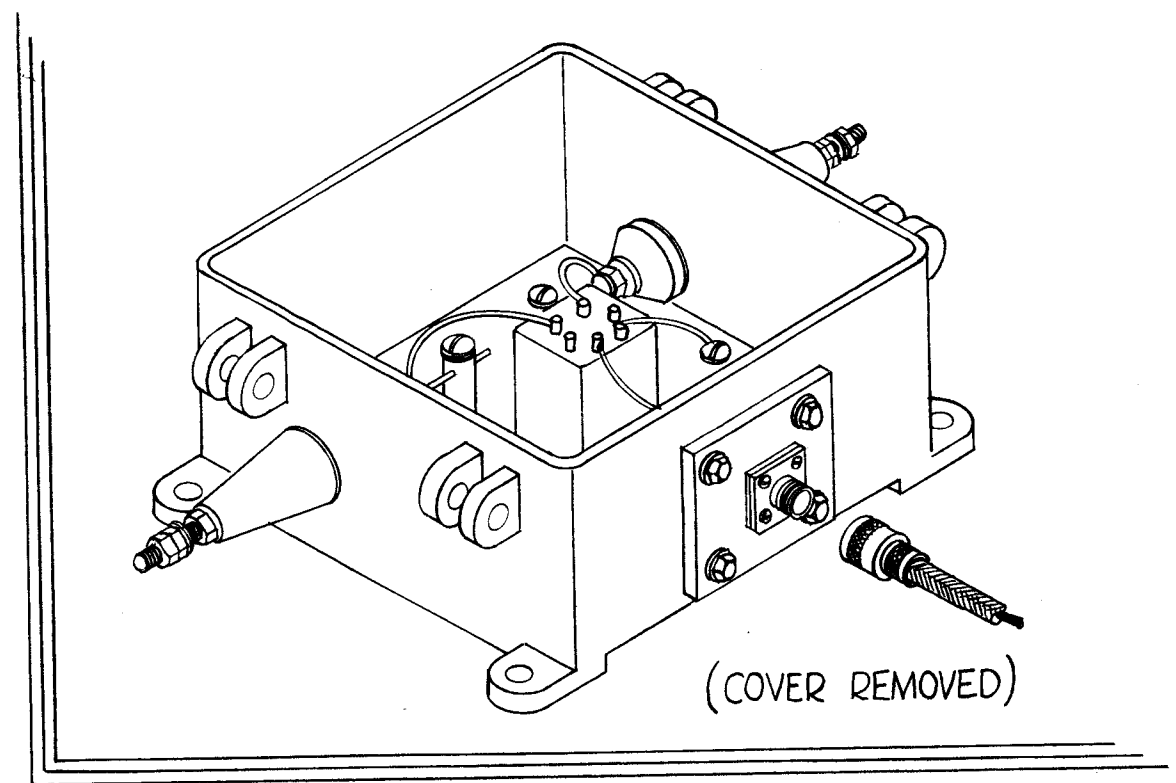
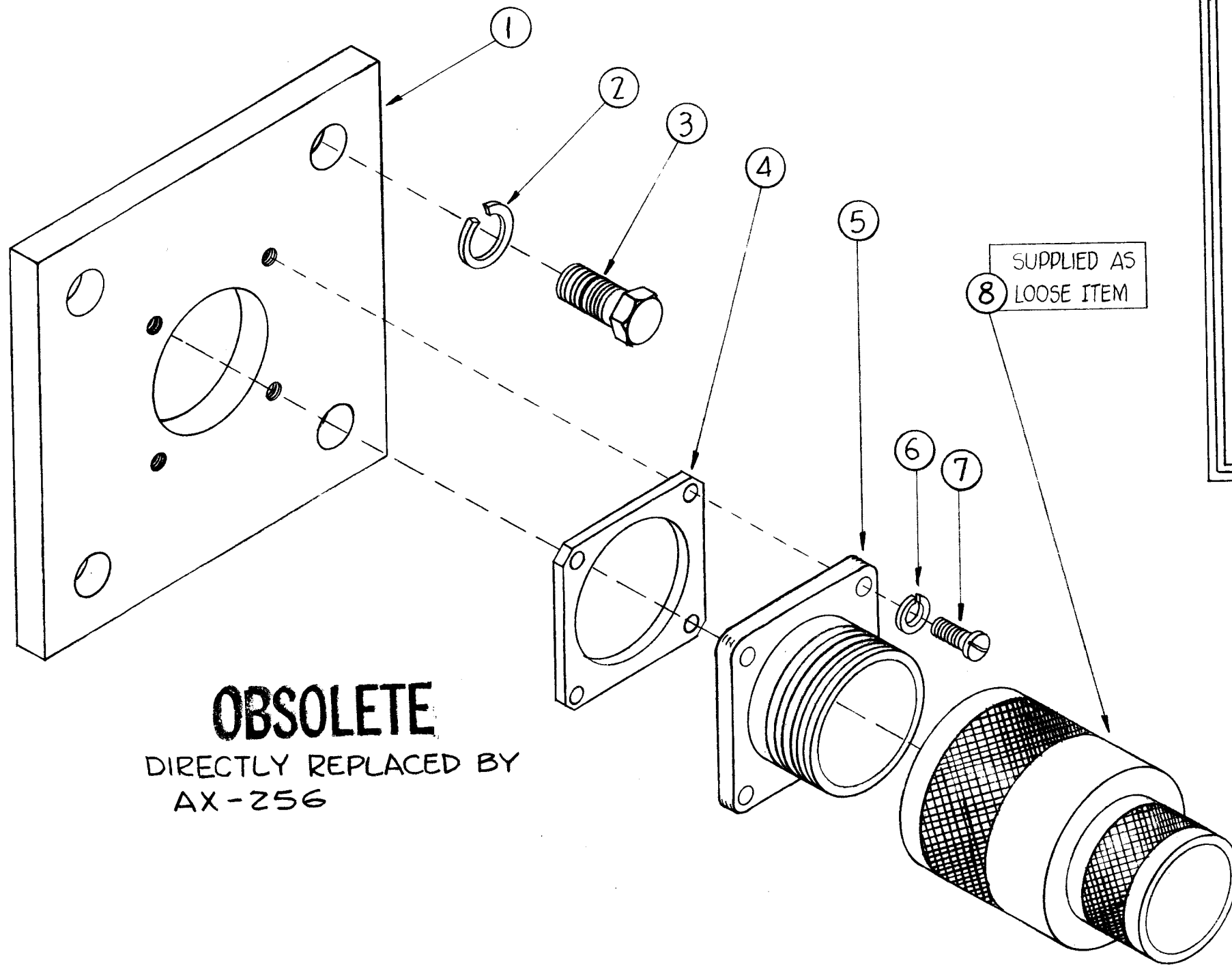


A-2092 A



**OBSOLETE**  
DIRECTLY REPLACED BY  
AX-256

REQ.	ITEM	PART NO.	DESCRIPTION	SYMBOL
1	8	UG-358/U	CONNECTOR, PLUG, UHF LARGE MALE	
4	7	SCBS0440BN5	SCREW, MACHINE	
4	6	LWS04MRN	LOCKWASHER, SPLIT	
1	5	UG-357/U	RECEPTACLE, UHF LARGE	
1	4	GA-149-1	GASKET	
4	3	SC-108-4	BOLT, HEX.	
4	2	LWS25MSS	LOCKWASHER, SPLIT	
1	1	PM-694	PLATE, MOUNTING	

SYM	DESCRIPTION	DATE	CH. NO.	DRAFTS	CHECKER	ENG. APP.
A	OBSOLETE NOTE ADDED	10-18-61	5731	EH	EB	KS

UNLESS OTHERWISE SPECIFIED:  
DIMENSIONS ARE IN INCHES  
TOLERANCES ON  
FRACTIONS ± 1/64 DECIMALS ± .005 ANGLES ± 1/2°

SCALE: \_\_\_\_\_

MAXIMUM ALLOWABLE TOLERANCES HAVE BEEN DETERMINED AND ANY DEVIATIONS WILL BE CAUSE FOR REJECTION. REMOVE ALL BURRS AND SHARP EDGES

REQ. PER UNIT	MODEL	SECTION	ASS'Y. NO.	DATE
	RAC-SERIES			4-24-61

USED ON

TYPE & TEMPER	HEAT TREAT. SPEC.	DRAWN	CHECKER	FINAL APPROVAL
		D.B. Mann	AKR	
				A-2092 A