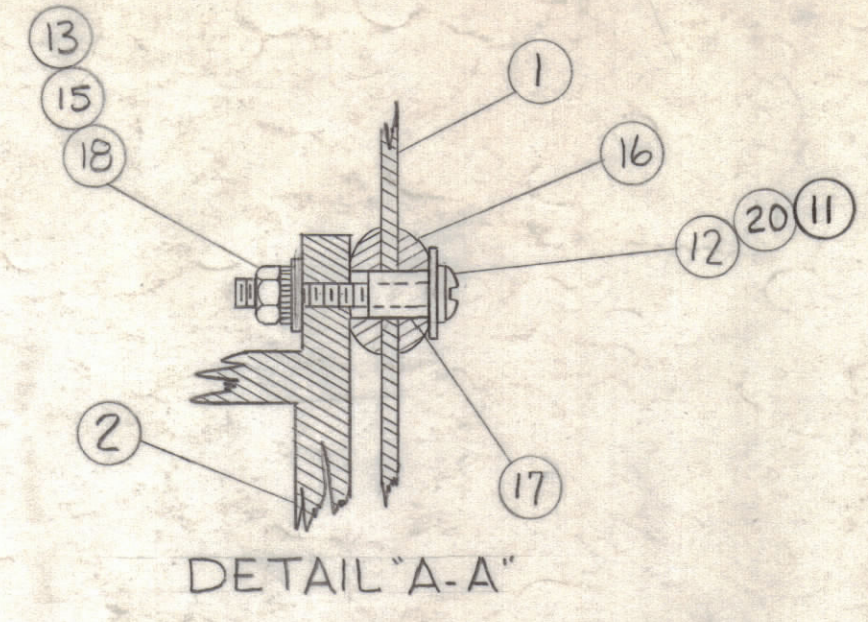
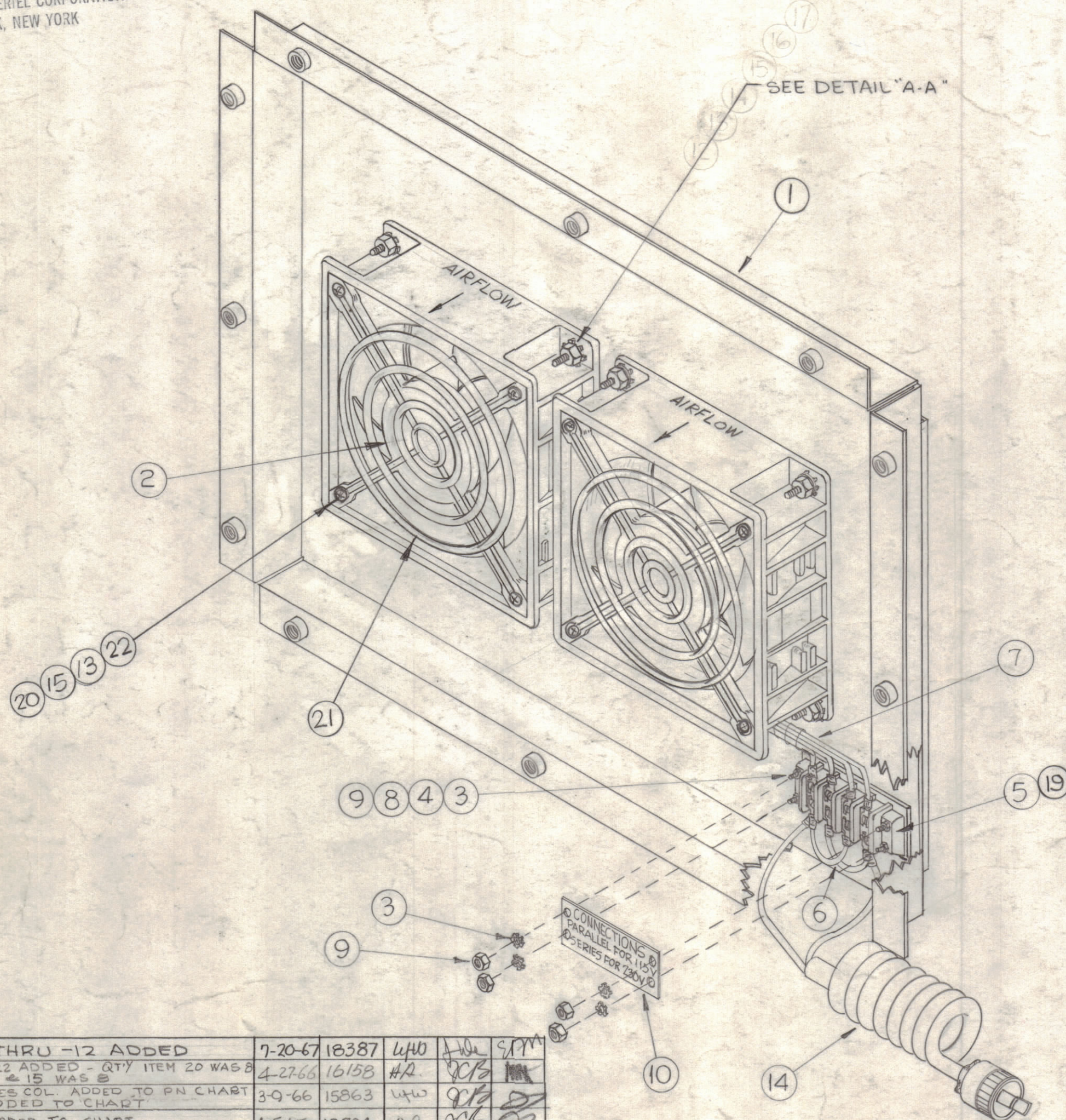


NOTICE TO PERSONS RECEIVING THIS DRAWING

THE TECHNICAL MATERIEL CORPORATION claims proprietary right in the material disclosed hereon. This drawing is issued in confidence for engineering information only and may not be reproduced or used to manufacture anything shown hereon without permission from THE TECHNICAL MATERIEL CORPORATION to the user. This drawing is loaned for mutual assistance and is subject to recall at any time.

Property of:  
THE TECHNICAL MATERIEL CORPORATION  
MAMARONECK, NEW YORK



CHART

TMC PART NO.	MODEL	ITEM MARKING	ITEM I4	SUPERSEDED BY	SYMBOL SERIES
A2079-1	RAK-11	LD 886	CA 575-2		900
OBS A2079-2	RAK-19	LD 892	CA 575-2	USE A2079-7	
OBS A2079-3	RAK-20	LD 886	CA 575-2	USE A2079-1	
A2079-4	RAK-12	LD 1131	CA 575-2		500
OBS A2079-5	RAK-29A	LD 886	CA 575-2	USE A2079-1	
A2079-6	RAK-16C	LD 1301	CA 575-2		600
A2079-7	RAK-30	LD 892	CA 575-2		700
A2079-8	RAK-20B	LD 886	CA 575-5		900
A2079-9	RAK-106Z	NOT USED	CA 575-6		OPEN SERIES
A2079-10	RAK-19	LD 892	CA 575-5		700
A2079-11	RAK-19H	LD 1131	CA 575-5		500
A2079-12	RAK-31D	NOT USED	CA 575-5		OPEN SERIES

8	22	SCBPO632BN8	SCREW, MACHINE
2	21	SN116	SCREEN, FAN
16	20	FW06HBN	WASHER, FLAT
1	19	PX 336-4	INSULATOR, TERM. BOARD
8	18	WA 101-4	WASHER, NON METALIC
8	17	TE 117-30	Spacer, SLEEVE
8	16	EY 102-20	Grommet, RUBBER
16	15	LWE06MRN	WASHER, LOCK, EXTERNAL
1	14	SEE CHART	Cable Ass'y, POWER
16	13	NTH0632BN8	Nut, PLAIN, HEX.
8	12	FW25HBN	Washer, Flat
8	11	SCBPO632BN14	Screw, Machine
1	10	LD 880/PX544-4	INSULATOR, TERM. BOARD
8	9	NTH0440BN6	Nut, PLAIN HEX.
2	8	MS 154-1	Plate, MOUNTING, TERM. BOARD
1	7	CA 550	WIRING, HARNESS, BRANCHED
2	6	CA 409-32-2.00	LEAD, ELECTRICAL
1	5	TM 102-4	Terminal BOARD, BARRIER
4	4	SCBPO440BN12	Screw, Machine
8	3	LWE04MRN	WASHER, LOCK, EXTERNAL
2	2	BL 106-2	Fan, Axial
1	1	SEE CHART/MS2537	Chassis, FAN

L		A2079-10 THRU -12 ADDED	7-20-67	18387	UHO	JWB	SJM
K		ITEM 21 & 22 ADDED - QTY ITEM 20 WAS 8 QTY ITEM 13 & 15 WAS 8	4-27-66	16158	HR	QCB	
J		SYMBOL SERIES COL. ADDED TO PN CHART A2079-9 ADDED TO CHART	3-9-66	15863	UHO	QCB	
H		A2079-8 ADDED TO CHART.	4-5-65	13804	22	QCB	
G	F2, C3, G2, F3, C, D2	"SUPERSEDED BY" COLUMN ADDED, CALLOUT 19 ADD. ON DET. 'A-A' CALLOUT 20 ADD. TO CHART 'OBS' ADD. IT. 12 WAS FW25LBN, IT. 20 WAS FW06LBN	11.10.64	12871	JWB	@	
F	F3, C2, 'B2', A1, D2	TMC P/N COLUMN ADD. TO CHART, DESCR. UPDATED IT. 10 WAS LD-880, IT 12 WAS FW06HBN IT. 1 WAS MS2537, IT 4 WAS SCBPO440BN16 TITLE WAS BLOWER ASSY, IT. 19 & 20 ADD.	8.8.64	12074	JWB	21.	
E	E2	ADDED RAK-30 TO CHART	6-20-63	9383			
D	E2	ADDED RAK-29A & RAK-16C TO CHART	4-11-63	8769			
C	G3	DETAIL 'A-A' ADDED	2-9-63	8204			
B	C2	ITEM (11) WAS SCBPO632BN8; (18) ADDED	1-8-63	7959			
A	F2, G4	ITEM (12) WAS WA-101-4; ITEMS (16) & (17) ADDED RAK-12 ADDED TO CHART; ITEM 11 WAS ITEM 14	7-25-62	6937			

10 CONNECTIONS PARALLEL FOR 110V 25 SERIES FOR 230V/0

1	RAK-12			7-25-62
1	RAK-20			12-19-61
1	RAK-19			3-22-61
1	RAK-11			3-22-61
REQ. PER UNIT	MODEL	SECTION	ASS'Y. NO.	DATE

UNLESS OTHERWISE SPECIFIED:  
DIMENSIONS ARE IN INCHES  
TOLERANCES ON FRACTIONS ± 1/64 DECIMALS ± .005 ANGLES ± 1/2°  
SCALE  
MAXIMUM ALLOWABLE TOLERANCES HAVE BEEN DETERMINED AND ANY DEVIATIONS WILL BE CAUSE FOR REJECTION. REMOVE ALL BURRS & SHARP EDGES

REQ. ITEM	PART NO.	DESCRIPTION	SYMBOL
THE TECHNICAL MATERIEL CORP. MAMARONECK, NEW YORK			
BL FAN ASSEMBLY			
STOCK SIZE			
MATERIAL			
TYPE & TEMPER		HEAT TREAT. SPEC.	
FINISH & SPEC. NO.			
ELEC. DES. APP.	MECH. DES. APP.	SHEET	OF