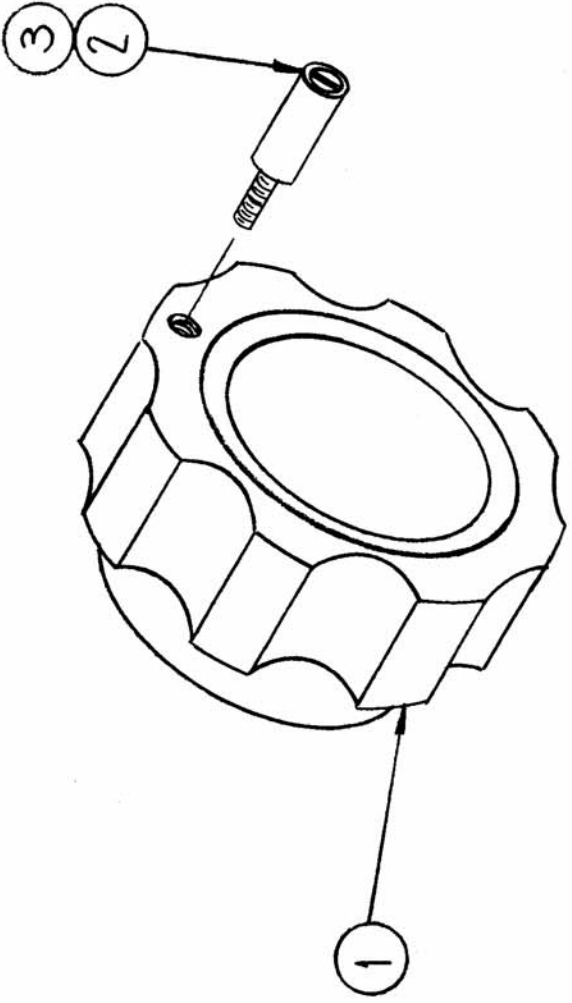


REQ. PER. UNIT	1
MODEL	RAK-7B
ASSY. NO.	
DATE	3-7-61
A-2068 A	



AFTER ASS'Y OF ITEMS 2 & 3 USE GLYPTAL TO PREVENT SCREW FROM LOOSENING. ITEM 2, (CRANK HANDEL) MUST TURN FREELY AFTER ASS'Y.

X 4	GL-105	LACQUER, GLYPTAL		
1	3	SCRPIO24BN14	SCREW	
1	2	HA-111	HANDLE CRANK	
1	1	PX-608	KNOB, MODIFICATION	
REQ. ITEM		PART NO.	DESCRIPTION	SYMBOL
		THE TECHNICAL MATERIEL CORP. MAMARONECK, NEW YORK MP-120 ASSY		
		STOCK SIZE		
		MATERIAL		
		TYPE & TEMPER	HEAT TREAT. SPEC.	
		FINISH & SPEC. NO.		

ISSUE ITEM	A 1	CHANGED FROM	UPDATED	DATE	17/6/63	CH. NO.	10623	DRAFTS	SAH	CHECKER	ENG. APP.
TOLERANCES											
DEC. DIM. ± FRAC. DIM. ± ANGULAR DIM. ±											
SCALE: MAXIMUM ALLOWABLE TOLERANCES HAVE BEEN DETERMINED AND ANY DEVIATIONS WILL BE CAUSE FOR REJECTION. REMOVE ALL BURRS AND SHARP EDGES											
DRAWN		CHECKED		ELEC. DES. APP.		MECH. DES. APP.		FINAL APPROVAL			
R. UZZO		[Signature]		[Signature]		[Signature]		A-2068 A			