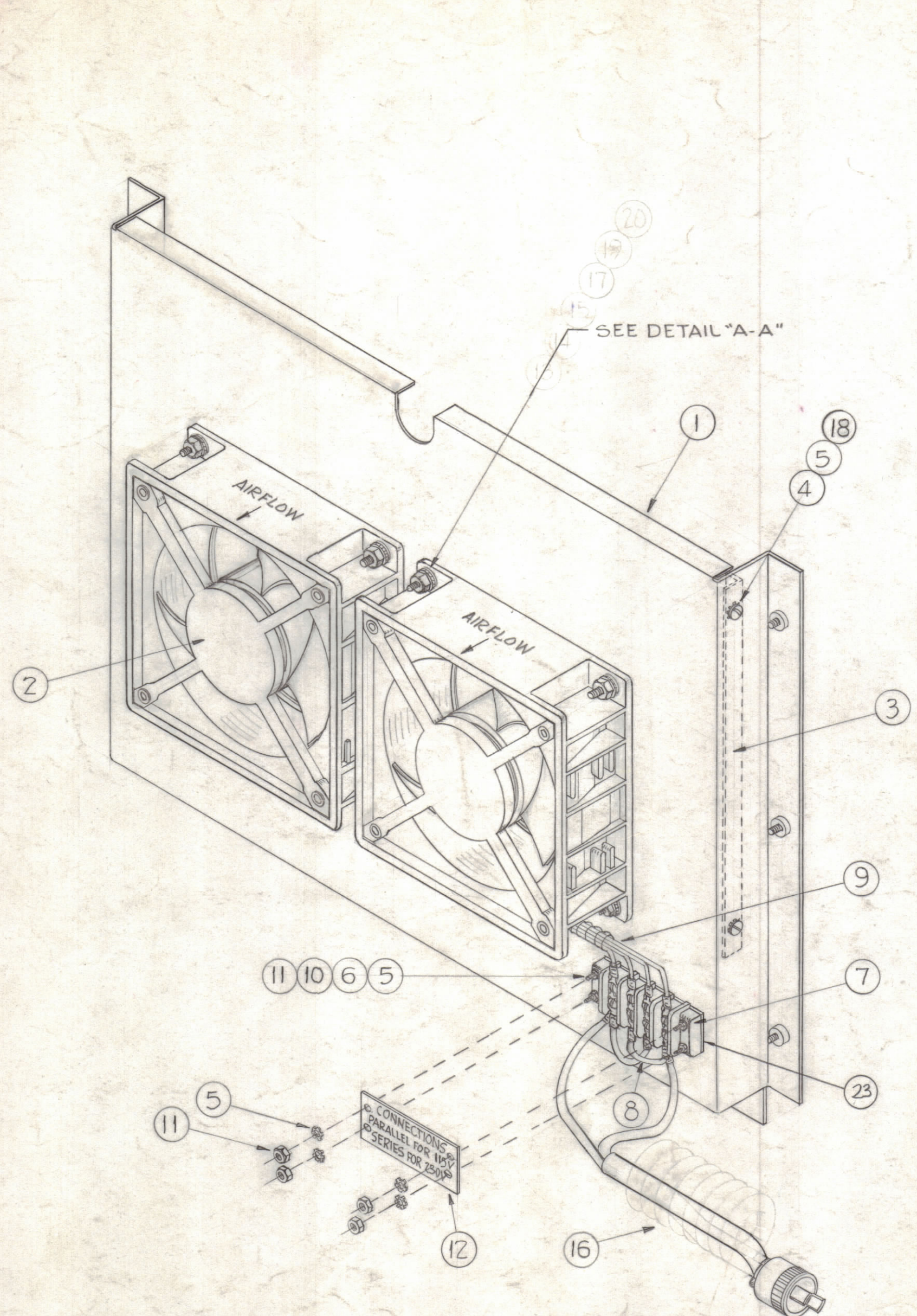


NO. 8 10 2 0 1 5 REE... DRAWING

THE TECHNICAL MATERIEL CORPORATION claims
 the right in the material disclosed herein.
 This drawing is issued in confidence for engineering
 information only and may not be reproduced or used
 to manufacture anything shown hereon without per-
 mission from THE TECHNICAL MATERIEL CORPORA-
 TION to the user. This drawing is loaned for mutual
 as is and is subject to recall at any time.

Property of:
 THE TECHNICAL MATERIEL CORPORATION
 MAMARONECK, NEW YORK



DETAIL "A-A"

CHART

TMC P/N	MODEL	ITEM 1 LETTERING DWG.	ITEM 16
A2060-1	RAK-10A1	LD881/MS2287	CA 569-3
A2060-2	COPA-2	LD1633/MS2287	CA 575-6
	RAK-10	LD-892	CA-595-2

REQ.	ITEM	PART NO.	DESCRIPTION	SYMBOL
1	23	PX336-4	INSULATOR, TERMINAL BARRIER	
8	22	FW25 HBN	WASHER, FLAT	
8	21	FW06 HBN	Washer, Flat	
8	20	TE-117-30	Stand-Off Spacer	
8	19	EY-102-20	Grommet, Elastic	
4	18	FW04 HBN	Washer, Flat	
8	17	LWEO6MRN	Lockwasher, Ext.	
1	16	See Chart	Cable Ass'y.	
8	15	NTH0632BN8	Nut, Hex.	
8	14	WA-101-4	Washer, Fiber	
8	13	SCBP0632BN14	Screw, Machine	
1	12	LD-880/PX544-4	Lettering, Insulator Terminal	Bik.
8	11	NTH0440BN8	Nut, Hex.	
2	10	MS-154-1	Plate, Straddle	
1	9	CA-550	Cable Ass'y.	
2	8	CA-409-32-2.00	Cable Ass'y. Jumper	Bik.
1	7	TM-102-4	Terminal Strip	
4	6	SCBP0440BN16	Screw, Machine	
12	5	LWEO4MRN	Lockwasher, Ext.	
4	4	SCBP0440BN4	Screw, Machine	
2	3	MS-1876	Filter Retaining Brk't.	
2	2	BL-106-2	Fan, Axial	
1	1	SEE CHART	Chassis, Blower	

See Chart for LD-N's

SYM	ZONE	DESCRIPTION	DATE	CH. NO.	DRAFTS	CHECKER	ENG. APP.
G		ITEM (23) ADDED	4-25-66	16144	WAW		
F	+	B/M: IT.(1) WAS MS2287; IT.(12) WAS LD880. ON CHART (-1) & (-2) ADDED; MODEL (-1) WAS RAK-10; IT.(1), (-1) WAS LD881; IT.(1), (-2) WAS LD1633.	12-1-64	13001	RF		
E	E2, D2, H2	COPA-2" ADD. TO MODEL CHART, P/N'S UPDATED IT. 22 ADD., IT. 22 # CALLOUT 22 ADD. TO DETAIL "AA"	11-18-64	12955	LRB		
D	G2	DETAIL "A-A" ADDED	1-25-63	8079			
C	C2, D2	ITEM (13) WAS SCBP0632BN8; ITEMS (19, 20 & 21) ADDED					
B	B4	AC. CABLE (ITEM 16) PICTORIAL CORRECTED	5-9-61	4878	MLP		
A	A4	RAK-11 & RAK-19 DELETED FROM CHART	3-23-61	4457	MLP		
A	B, D2	Item 3 (1) WAS REQ., Item 18 WAS ADDED	3-2-61	4320	RU		

UNLESS OTHERWISE SPECIFIED:
 DIMENSIONS ARE IN INCHES
 TOLERANCES ON FRACTIONS ± 1/64 DECIMALS ± .005 ANGLES ± 1/2°
 MAXIMUM ALLOWABLE TOLERANCES HAVE BEEN DETERMINED AND ANY DEVIATIONS WILL BE CAUSE FOR REJECTION. REMOVE ALL BURRS & SHARP EDGES

REQ. PER UNIT	MODEL	SECTION	ASS'Y. NO.	DATE
1	RAK-10 11-19			2-16-61

REQ.	ITEM	PART NO.	DESCRIPTION	SYMBOL
THE TECHNICAL MATERIEL CORP. MAMARONECK, NEW YORK				
BLOWER ASS'Y.				
MATERIAL				
STOCK SIZE				
FINISH & SPEC. NO.				
DRAWN		CHECKED		FINAL APPROVAL
TYPE & TEMPER		HEAT TREAT. SPEC.		
ELEC. DES. APP.		MECH. DES. APP.		SHEET OF
		A-2060		G