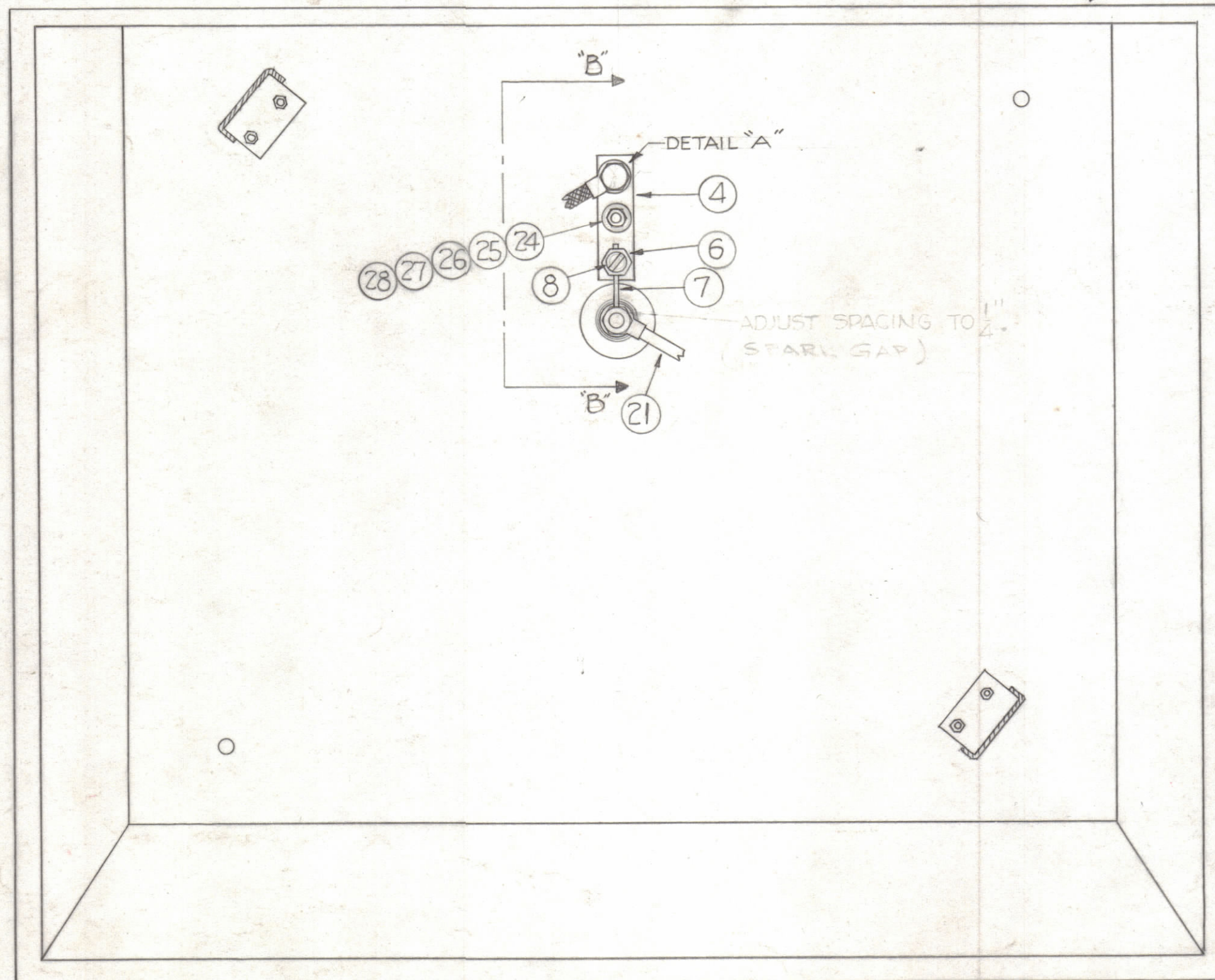
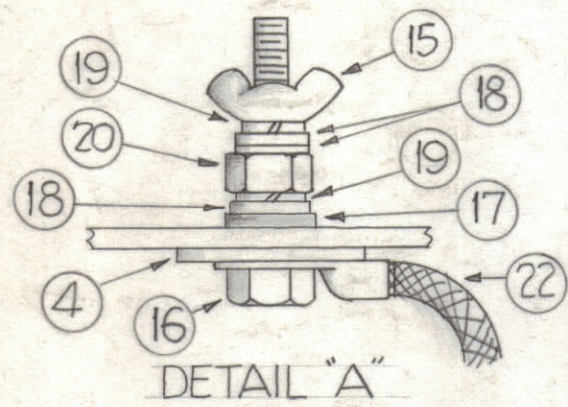
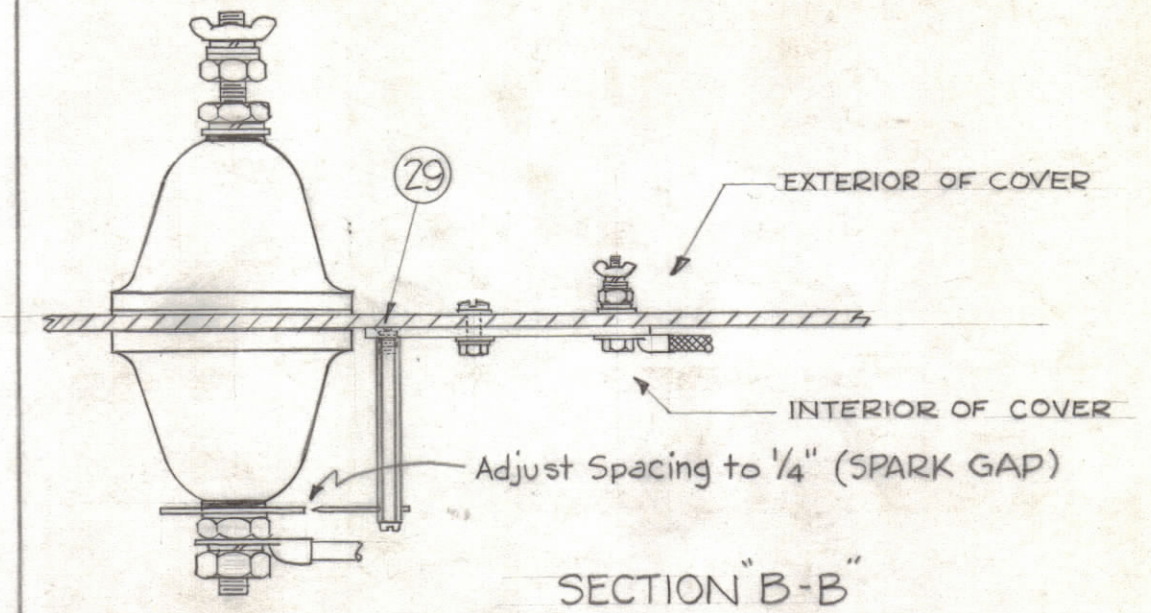
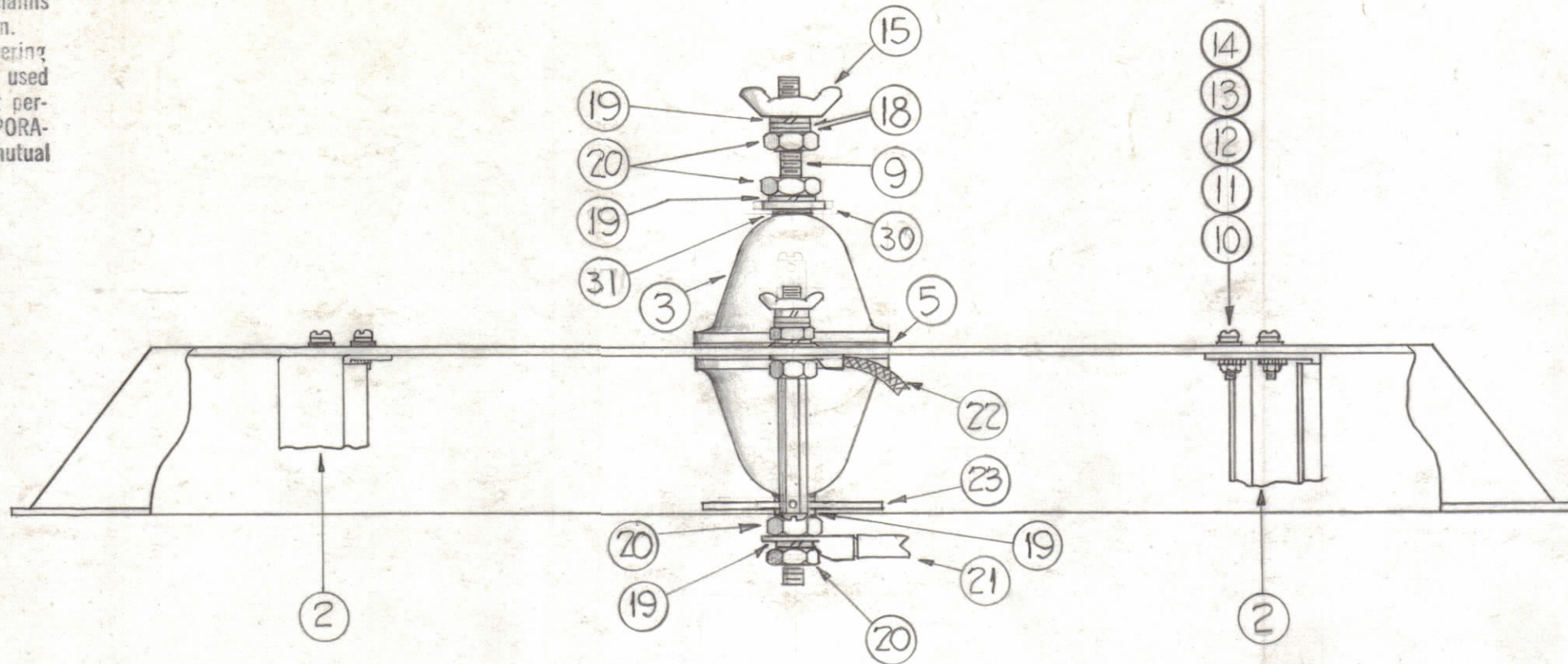


NOTICE TO PERSONS RECEIVING THIS DRAWING

THE TECHNICAL MATERIEL CORPORATION claims proprie right in the material disclosed hereon. This drawing is issued in confidence for engineering information only and may not be reproduced or used to manufacture anything shown hereon without permission from THE TECHNICAL MATERIEL CORPORATION to the user. This drawing is loaned for mutual assistance and is subject to recall at any time.

Property of:  
THE TECHNICAL MATERIEL CORPORATION  
MAMARONECK, NEW YORK



REQ.	ITEM	PART NO.	DESCRIPTION	SYMBOL
2	31	RY 112	GASKET, NEOPRENE	
1	30	FW 100-17	WASHER, FLAT	
1	29	SCFP0832BN7	SCREW, MACHINE, FLAT HEAD	
1	28	FW06H BN	WASHER, FLAT	
1	27	GA-137-3	GASKET, NEOPRENE	
1	26	LWEO6MBN	WASHER, LOCK	
1	25	NTH0632BN10	NUT, HEX	
1	24	SCBP0632BN10	SCREW, MACHINE	
1	23	MS-764	CONTACT SPARK GAP	
1	22	CA409-69-4.50	LEAD, ELECTRICAL	
1	21	CL-268	COIL, COMPENSATING	
5	20	NTH2520BN14	NUT, HEX	
6	19	LW525MRN	LOCKWASHER, SPLIT	
5	18	FW25HBN	WASHER, FLAT	
1	17	GA-137-1	GASKET, NEOPRENE	
1	16	SCHH2520BN16	BOLT, HEX HD.	
2	15	NT-1102520BN	NUT, WING	
4	14	NTH1032BN10	NUT, HEX	
4	13	LWE10MRN	LOCKWASHER, EXT.	
4	12	GA-137-2	GASKET, NEOPRENE	
4	11	FW10HBN	WASHER, FLAT	
4	10	SCBP1032BN8	SCREW, MACHINE	
1	9	SM-134	STUD, PLAIN	
1	8	SCBP0832BN4	SCREW, MACHINE	
1	7	PM-381	ROD, SPARK	
1	6	PM-380	POST, SPARK ROD	
2	5	GA-126	GASKET, NEOPRENE	
1	4	MS-2526	PLATE, GAP, SUPPORT	
2	3	NS-115	BOWL, INSULATOR	
1	2	A-2053	RESISTOR SUPPORT ASS'Y	
1	1	PX-606	COVER, CASE	

SYM	ZONE	DESCRIPTION	DATE	CH. NO.	DRAFTS	CHECKER	ENG. APP.
B		ITEMS 30 & 31 ADDED - BUILD-UP CLARIFIED	4-14-66	16092	G.D.L.	[Signature]	[Signature]
A		5/11 CHART REVISE D (IT 8, 10, 22, 24, 26, 29)	11/10/65	14789	[Signature]	[Signature]	[Signature]

UNLESS OTHERWISE SPECIFIED:  
DIMENSIONS ARE IN INCHES  
TOLERANCES ON  
FRACTIONS ± 1/64    DECIMALS ± .005    ANGLES ± 1/2°

SCALE  
MAXIMUM ALLOWABLE TOLERANCES HAVE BEEN DETERMINED AND ANY DEVIATIONS WILL BE CAUSE FOR REJECTION. REMOVE ALL BURRS & SHARP EDGES

REQ. PER UNIT	MODEL	SECTION	ASS'Y. NO.	DATE
1	TER-3500-300		A-2061	2-7-61

REQ.	ITEM	PART NO.	DESCRIPTION	SYMBOL
THE TECHNICAL MATERIEL CORP. MAMARONECK, NEW YORK COVER ASSEMBLY TER-3500-300				
DRAWN		CHECKED		FINAL APPROVAL
[Signature]		[Signature]		[Signature]
TYPE & TEMPER		HEAT TREAT. SPEC.		
FINISH & SPEC. NO.		ELEC. DES. APP.		MECH. DES. APP.
		[Signature]		[Signature]
		A-2052		B