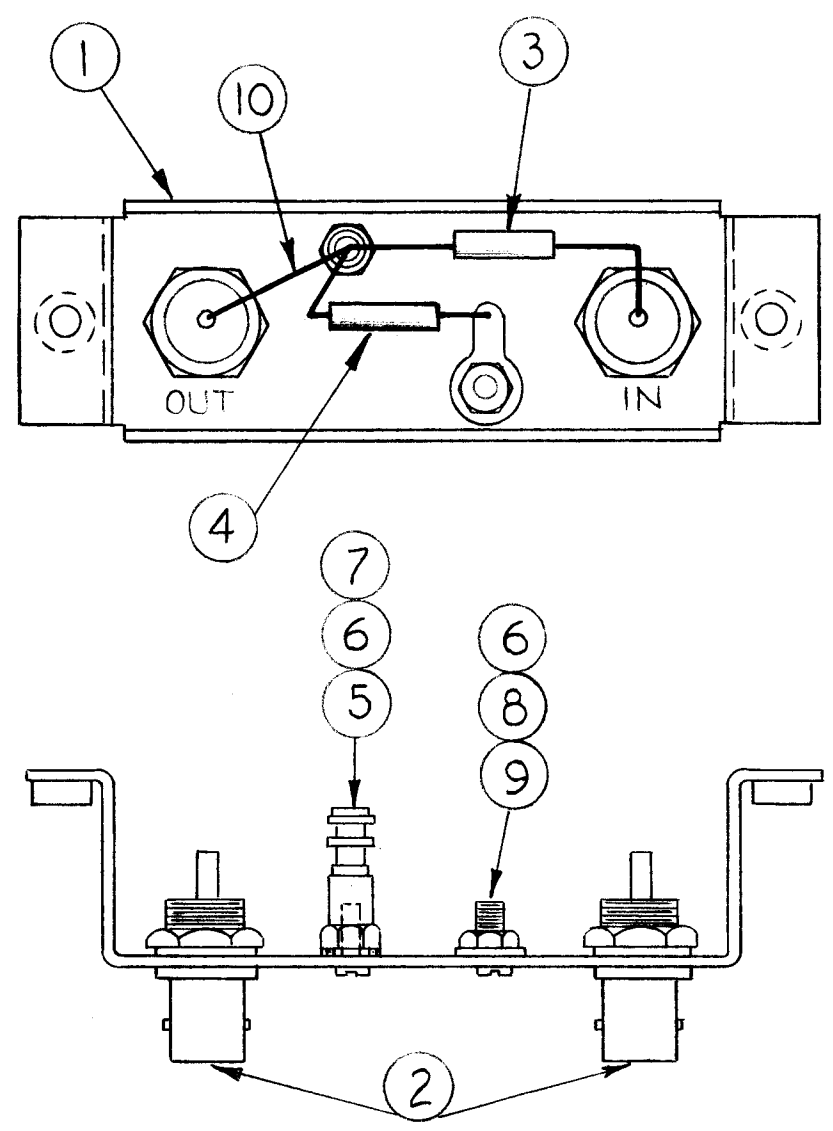


A-2049 A

NOTICE TO PERSONS RECEIVING THIS DRAWING
 THE TECHNICAL MATERIEL CORPORATION claims proprietary right in the material disclosed hereon. This drawing is issued in confidence for engineering information only and may not be reproduced or used to manufacture anything shown hereon without permission from THE TECHNICAL MATERIEL CORPORATION to the user. This drawing is loaned for assistance and is subject to recall at any time.

Property of:
 THE TECHNICAL MATERIEL CORPORATION
 MAMARONECK, NEW YORK



LIP REMOVED FOR CLARITY

LETTERING NOTE: USE CHASSIS LETTERING LD-890

SEE NOTE

X	11	BS-100	SOLDER, SOFT	
X	10	WL-100-7	WIRE, BUSS, SIZE 22	
1	9	NTH0440BN8	NUT, HEX	
1	8	TE-104-1	TERMINAL #4	
1	7	LWE04MRN	LOCKWASHER, EXT	
2	6	SCBS0440BN3	SCREW, MACHINE	
1	5	TE-102-2	TERMINAL, TURRET	
1	4	RC42GF750K	RESISTOR	R603
1	3	RC42GF681K	RESISTOR	R602
2	2	UG-625/U	CONNECTOR	J615 J616
1	1	MS-1927	CHASSIS, VOLT. DIVIDER	

REQ.	ITEM	PART NO.	DESCRIPTION	SYMBOL
THE TECHNICAL MATERIEL CORP. MAMARONECK, NEW YORK				
STOCK SIZE				
VOLTAGE DIVIDER ASS'Y				
MATERIAL				
		R. UZZO		
TYPE & TEMPER		HEAT TREAT. SPEC.		DRAWN
				CHECKER
				FINAL APPROVAL
				A-2049
				A

A	ON ITEM 2 SYMBOLS WERE RG15 & RG16	3-1-61	4204	M.A.F.	QUB	RR
SYM	DESCRIPTION	DATE	CH. NO.	DRAFTS	CHECKER	ENG. APP.
UNLESS OTHERWISE SPECIFIED:		SCALE:				
DIMENSIONS ARE IN INCHES		MAXIMUM ALLOWABLE TOLERANCES HAVE BEEN DETERMINED AND ANY DEVIATIONS WILL BE CAUSE FOR REJECTION. REMOVE ALL BURRS AND SHARP EDGES				
TOLERANCES ON FRACTIONS ± 1/64 DECIMALS ± .005 ANGLES ± 1/2°						

1	RAK-9D			1-30-61
1	RAK-9C			1-30-61
REQ. PER UNIT	MODEL	SECTION	ASS'Y. NO.	DATE
USED ON				