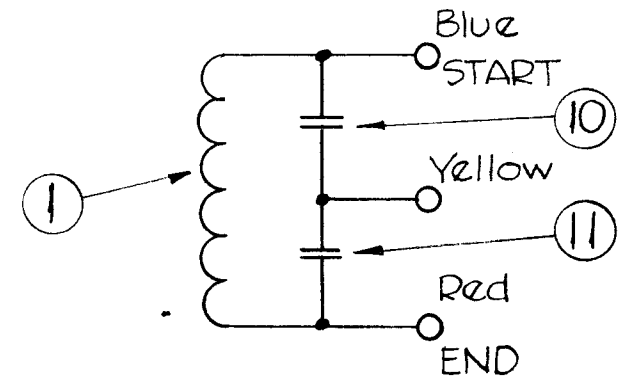
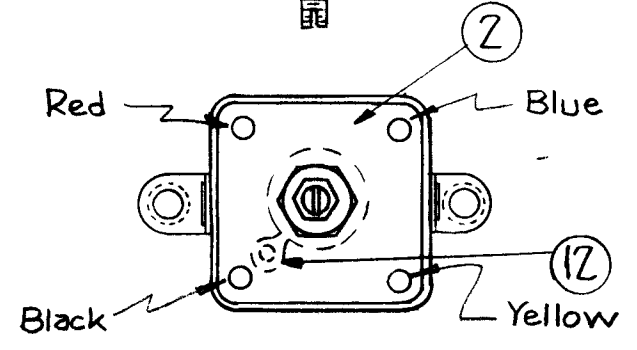
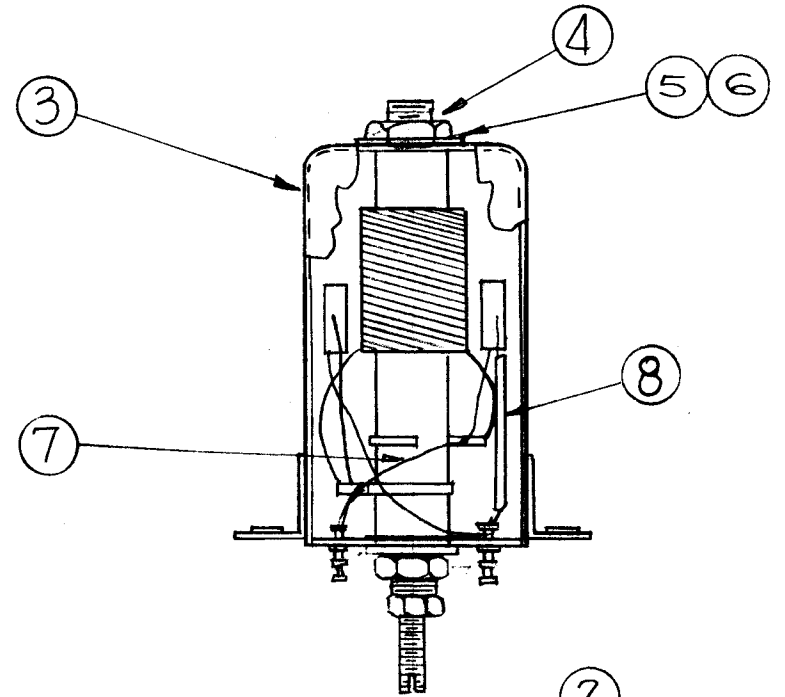
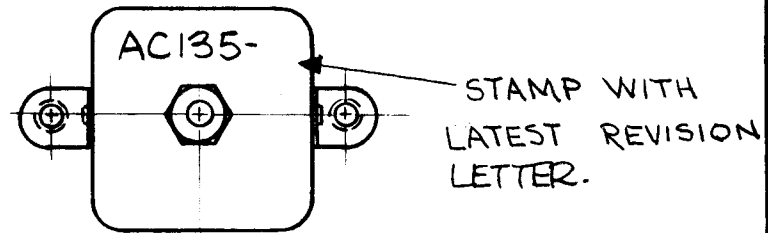


A-2028

STAMP CAN AS SHOWN  $\frac{1}{8}$  HIGH BLACK GOTHIC.



SCHMATIC

ELECTRICAL SPECIFICATIONS

NOMINAL IND. 2.5 mh  
 MIN. IND. < 1.5 mh  
 MAX. IND. > 3.5 mh  
 Q at Nominal IND > 50 at 250KC.

1	12	TE-104-5	LUG, SOLDER	
1	11	CM20F102G03	CAPACITOR, FIXED, MICA.	
1	10	CM15F361G03	CAPACITOR, FIXED, MICA.	
X	9	BS-100	SOLDER, SOFT	
X	8	PX-100-2.034	INSULATION SLEEVING	RED
X	7	WL-100-7	WIRE, BUSS-BAR, TINNED	
1	6	NTH2528BNA	NUT, HEX	
1	5	LW125MRN	LOCKWASHER	
1	4	SM-146	BUSHING COIL FORM	
1	3	A-2023	CAN ASS'Y	
1	2	PX-547	TERMINAL BOARD	
1	1	CL-186	COIL, R.F.	

REQ. ITEM	PART NO.	DESCRIPTION	SYMBOL
THE TECHNICAL MATERIEL CORP. MAMARONECK, NEW YORK			
AC-135 ASSEMBLY			
TYPE & TEMPER		HEAT TREAT. SPEC.	FINISH & SPEC. NO.
DRAWN		CHECKER	FINAL APPROVAL
ELEC. DES. APP.		MECH. DES. APP.	

D	DELE. "STAMP INSEGNIA ETC", CHG'D. AC135B TO -135* ADD STAMP NOTE	11-9-66	17221	RME	JCB	MMK
C	IT. 10 WAS "CM20C361J" IT. 11 WAS "CM20B102K"	10-26-64	12766	RP	JCB	MMK
B	ITEM (7) WAS WI-100-7	6-26-63	9372	RP	JCB	MMK
A	Color dots, Red was blue, blue was yellow, black was Red & Yellow was black on Bottom View Lug (Item 12) Relocated	2-16-61	4201	RU	JCB	MMK
SYM	DESCRIPTION	DATE	CH. NO.	DRAFTS	CHECKER	ENG. APP.
UNLESS OTHERWISE SPECIFIED:		SCALE:				
DIMENSIONS ARE IN INCHES		MAXIMUM ALLOWABLE TOLERANCES HAVE BEEN DETERMINED AND ANY DEVIATIONS WILL BE CAUSE FOR REJECTION. REMOVE ALL BURRS AND SHARP EDGES				
TOLERANCES ON FRACTIONS $\pm 1/64$ DECIMALS $\pm .005$ ANGLES $\pm 1/20^\circ$						
1	TIS-3					11-28-60
REQ. PER UNIT	MODEL	SECTION	ASS'Y. NO.	DATE	USED ON	