

IF IT IS FOUND DESIRABLE TO CHANGE ANY TOLERANCE OR OTHER DETAIL SPECIFIED ON THIS DRAWING NOTIFY THE PURCHASER PROMPTLY.

MAXIMUM ALLOWABLE TOLERANCES HAVE BEEN DETERMINED AND DEVIATIONS WILL BE CAUSE FOR REJECTION. REMOVE ALL BURRS AND SHARP EDGES

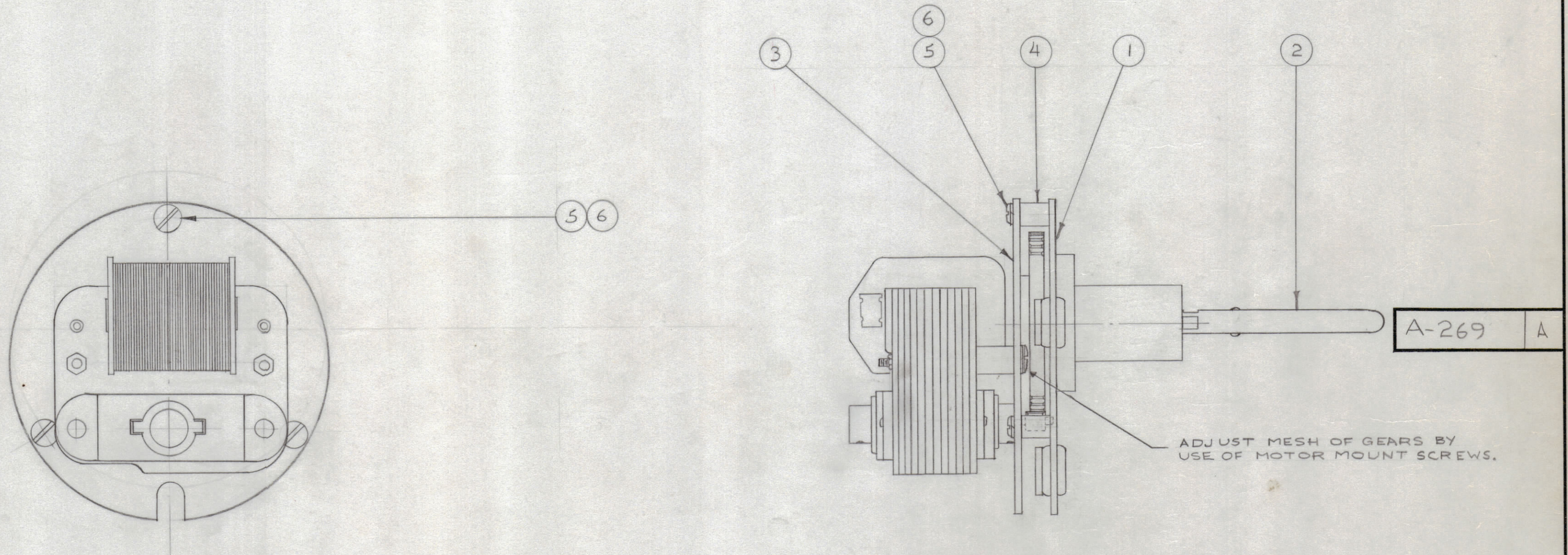
RELEASED

NOTICE TO PERSONS RECEIVING THIS DRAWING

THE TECHNICAL MATERIEL CORPORATION claims proprietary right in the material disclosed hereon. This drawing is issued in confidence for engineering information only and may not be reproduced or used to manufacture anything shown hereon without permission from THE TECHNICAL MATERIEL CORPORATION to the user. This drawing is loaned for mutual assistance and is subject to recall at any time.

Property of:

THE TECHNICAL MATERIEL CORPORATION  
MAMARONECK, NEW YORK



TMC ASSY No.	ITEM 3	USED ON
A269	A267	CK-2
A269-2	A267-2	CK-2A

REQ.	ITEM	PART NO.	DESCRIPTION	SYMBOL
3	6	LW508MRN	LOCKWASHER	
3	5	SCBD0832BN8	SCREW, MACHINE	
3	4	PM-170	SPACER	
1	3	SEE CHART	MOTOR MOUNT ASS'Y.	
1	2	A-268	GEAR ASS'Y.	
1	1	A-266	MOUNTING ASS'Y.	
//		THE TECHNICAL MATERIEL CORP.		
STOCK SIZE		MAMARONECK, NEW YORK		
//		DRIVE ASS'Y.		
MATERIAL		WEIGHT PER PC.		
//		15 11-25-52		
TYPE & TEMPER		DRAWN		
//		ELEC. DES. APP.		
HEAT TREAT. SPEC.		MECH. DES. APP.		
//		A-269		
FINISH & SPEC. NO.		A		

ISSUE	ITEM	CHANGED FROM	DATE	CN. NO.	DRAFTS	CHECKER	ENG. APP.
A		ASSY CHART ADDED (IT 6 WAS LW508MRN IT 5 WAS SCBD0832BN8)	4/20/60	16436	WHD	QCB	MM
TOLERANCES		SCALE: FULL SIZE					
ALL OTHERS		DEC. DIM. ± FRAC. DIM. ± ANGULAR DIM. ±					
		DRILL, PUNCH, COMMERCIAL STOCK SIZES AND MANUFACTURERS TOLERANCES ARE NOT INCLUDED.					

MODEL	PROJECT NO.	ASSY. NO.	DATE
CK-2	168	A-273	11-25-52
USED ON			