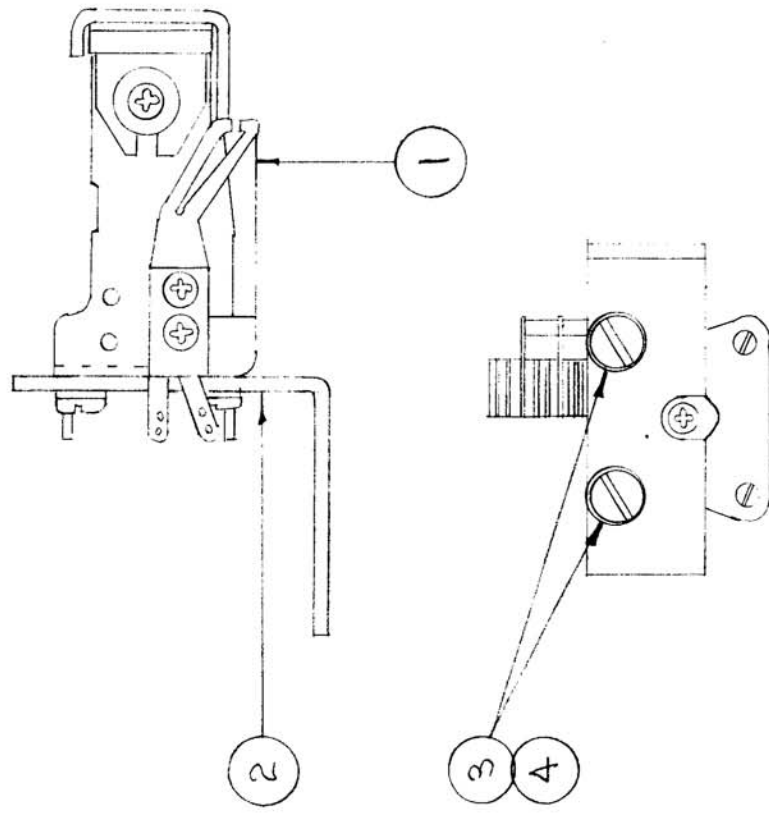


IF IT IS FOUND DESIRABLE TO CHANGE ANY TOLERANCE OR OTHER DETAIL SPECIFIED ON THIS DRAWING NOTIFY THE PURCHASER PROMPTLY.

MAXIMUM ALLOWABLE TOLERANCES HAVE BEEN DETERMINED AND DEVIATIONS WILL BE CAUSE FOR REJECTION. REMOVE ALL BURRS AND SHARP EDGES



RELEASED

A-227

REQ PER UNIT		USED ON		
MODEL	PROJECT NO.	ASSY. NO.	DATE	
AMD-1	144	A-231	11-21-52	
AMD-2		A-736	4/22/54	

REQ. ITEM	PART NO.	DESCRIPTION	SYMBOL
2 4	LWS06MRC	LOCKWASHER, SPLIT	
2 3	SCBS0652BC4	SCREW, MACHINE	
1 2	MS-171	RELAY BRACKET	
1 1	RL-105	RELAY	
		THE TECHNICAL MATERIEL CORP. MAMARONECK, NEW YORK	
		RELAY & BRACKET ASSY.	
STOCK SIZE			
MATERIAL			
TYPE & TEMPER			
HEAT TREAT. SPEC.			
FINISH & SPEC. NO.			
DRAWN		G.T.O.	
CHECKED			
ELEC. DES. APP.			
MECH. DES. APP.			
FINAL APPROVAL			

ISSUE ITEM	CHANGED FROM	DATE	CN. NO.	DRAFTS CHECKER	ENG. APP.
TOLERANCES					
ALL DEC. DIM. ±					
OTHERS FRAC. DIM. ±					
ANGULAR DIM. ±					
DRILL, PUNCH, COMMERCIAL STOCK SIZES AND MANUFACTURERS TOLERANCES ARE NOT INCLUDED.					