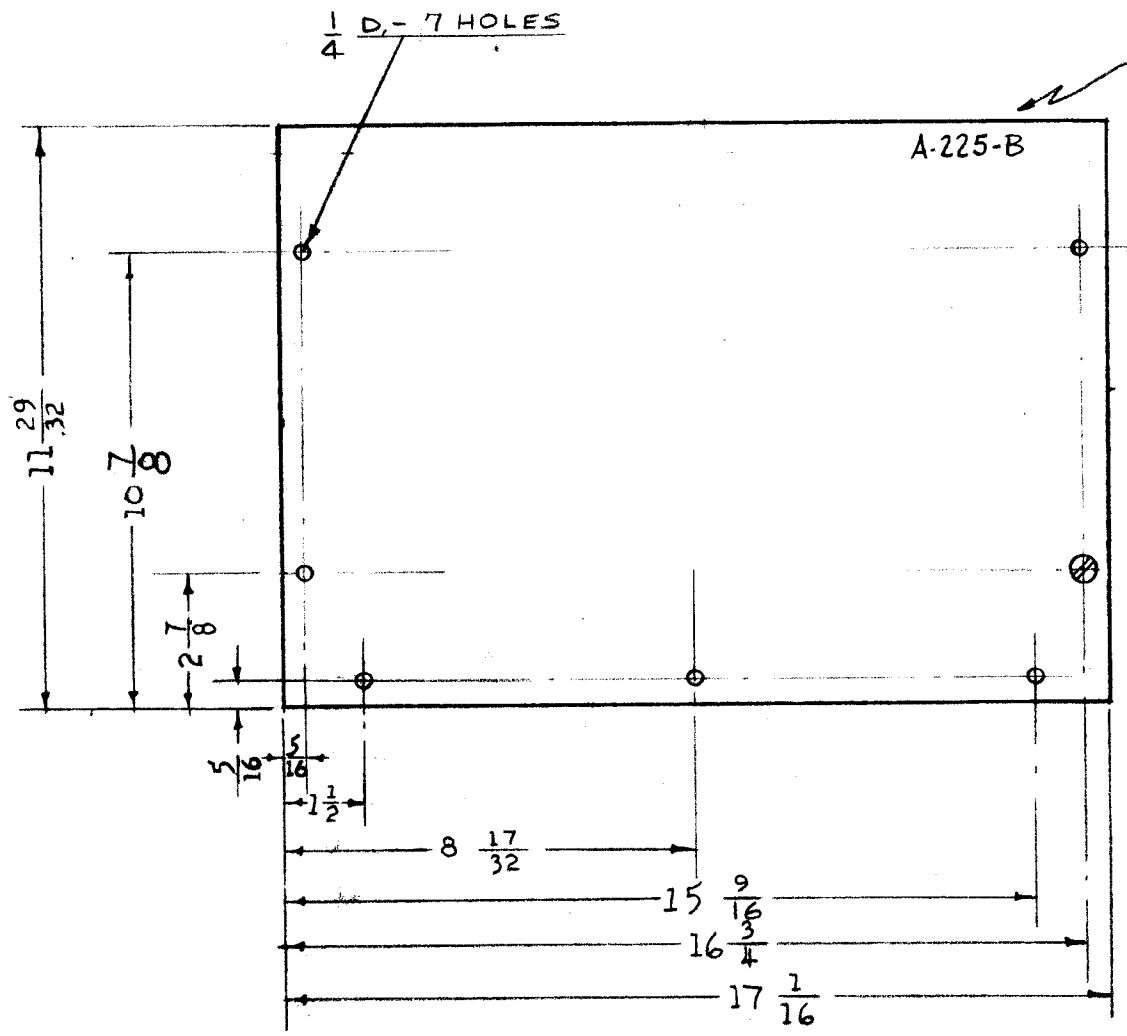


IF IT IS FOUND DESIRABLE TO CHANGE ANY TOLERANCE OR OTHER DETAIL SPECIFIED ON THIS DRAWING NOTIFY THE PURCHASER PROMPTLY.

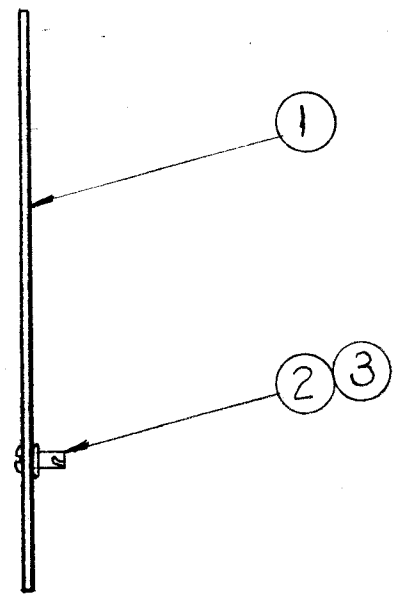
MAXIMUM ALLOWABLE TOLERANCES HAVE BEEN DETERMINED AND DEVIATIONS WILL BE CAUSE FOR REJECTION. REMOVE ALL BURRS AND SHARP EDGES

RELEASED

A-225 B



METAL STAMP TMC PART NO 1/8 HIGH, GOTHIC



B	4	(7) HOLES WERE 7/32 D; (1) HOLE DELETED	10-	79	92			
	3	ITEM(4) PN-105, 8 REQ DELETED	29-					
	2	ITEM(3) WAS FS-105-1, 1 REQ	62					
	1	ITEM(2) WAS FS-105-5, 7 REQ						
A	1	S-404 WAS S-101	12-1059	1001	AB		EMN	

ISSUE	ITEM	CHANGED FROM	DATE	CN. NO.	DRAFTS	CHECKER	ENG. APP.
TOLERANCES		SCALE: 1/4 SIZE					
ALL OTHERS	DEC. DIM. ±	1/64	DRILL, PUNCH, COMMERCIAL STOCK SIZES AND MANUFACTURERS TOLERANCES ARE NOT INCLUDED.				
	FRAC. DIM. ±						
	ANGULAR DIM. ±						

LFA	109	A-183	10-24-52
MODEL	PROJECT NO.	ASS'Y. NO.	DATE
USED ON			

#	4	— # —	DELETED
7	3	FS-109-3	RING, STUD RETAINING
7	2	FS-110-1	STUD, SLOTTED HEAD
1	1	MS-173	BOTTOM COVER (NO DRAWING)
REQ.	ITEM	PART NO.	DESCRIPTION
		.051	STOCK SIZE
		ALUMINUM	MATERIAL
		— # —	WEIGHT PER PC.
		525-H32	TYPE & TEMPER
		— # —	HEAT TREAT. SPEC.
		S-404 YELLOW IRIDITE	FINISH & SPEC. NO.
			THE TECHNICAL MATERIEL CORP. MAMARONECK, NEW YORK
			BOTTOM COVER ASS'Y.
		16 10-24-52	DRAWN
		WDE 10-27	CHECKED
			ELEC. DES. APP.
			MECH. DES. APP.
			FINAL APPROVAL
			A-225
			B