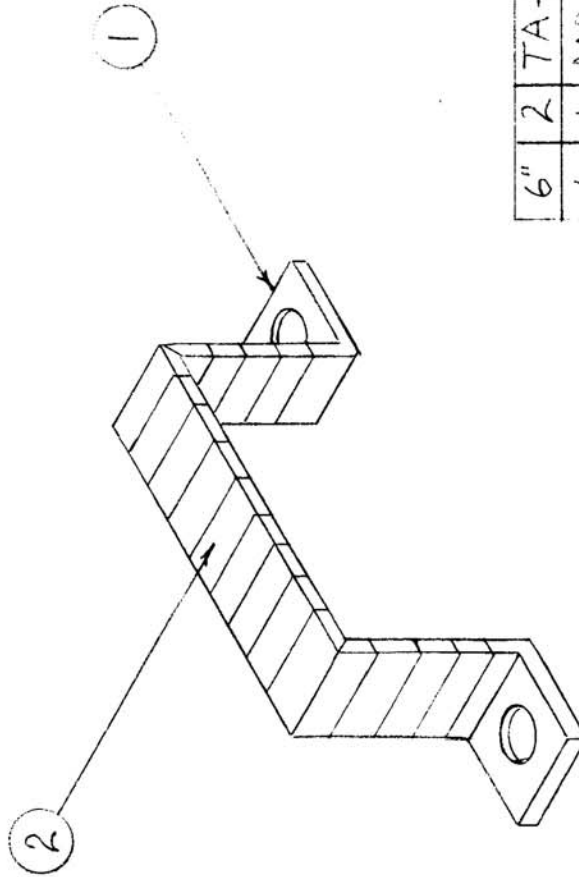


IF IT IS FOUND DESIRABLE TO CHANGE ANY TOLERANCE OR OTHER DETAIL SPECIFIED ON THIS DRAWING NOTIFY THE PURCHASER PROMPTLY.

MAXIMUM ALLOWABLE TOLERANCES HAVE BEEN DETERMINED AND DEVIATIONS WILL BE CAUSE FOR REJECTION. REMOVE ALL BURRS AND SHARP EDGES



**RELEASED**

A-206

REQ. PER UNIT	USED ON			
	MODEL	PROJECT NO.	ASSY. NO.	DATE
1	AMD-1	144	A-205	10-24-54
1	AMD-2		A-736	4/22/54

6"	2	TA-100-1	TAPE-VINYL PLASTIC		
1	1	MS-169	BRACKET		
REQ. ITEM	PART NO.		DESCRIPTION	SYMBOL	
STOCK SIZE			THE TECHNICAL MATERIEL CORP.		
MATERIAL			MAMARONECK. NEW YORK		
TYPE & TEMPER			BRACKET, SUB ASSY.		
WEIGHT PER PC.					
DRAWN		G.T.O	PRTS		
CHECKED			ELEC. DES. APP. MECH. DES. APP.		
HEAT TREAT. SPEC.		FINAL APPROVAL			
FINISH & SPEC. NO.		A-206			

ISSUE ITEM	CHANGED FROM	DATE	CN. NO.	DRAFTS	CHECKER	ENG. APP.
TOLERANCES						
DEC. DIM. ±	DRILL, PUNCH, COMMERCIAL STOCK					
ALL FRAC. DIM. ±	SIZES AND MANUFACTURERS					
OTHERS ANGULAR DIM. ±	TOLERANCES ARE NOT INCLUDED.					