

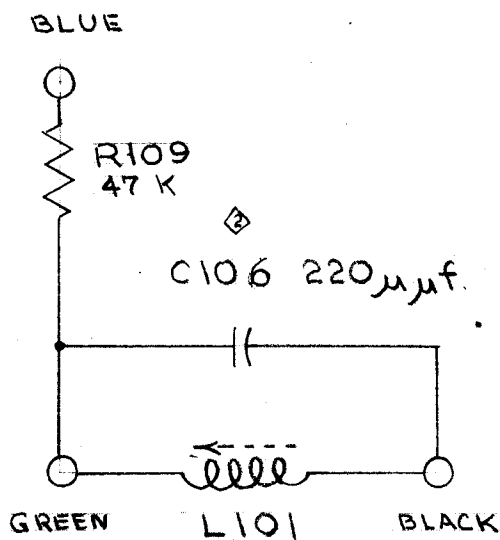
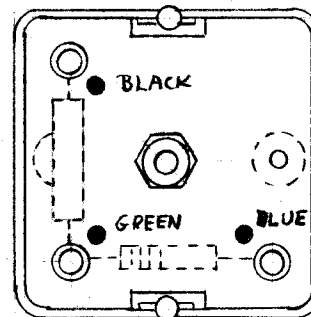
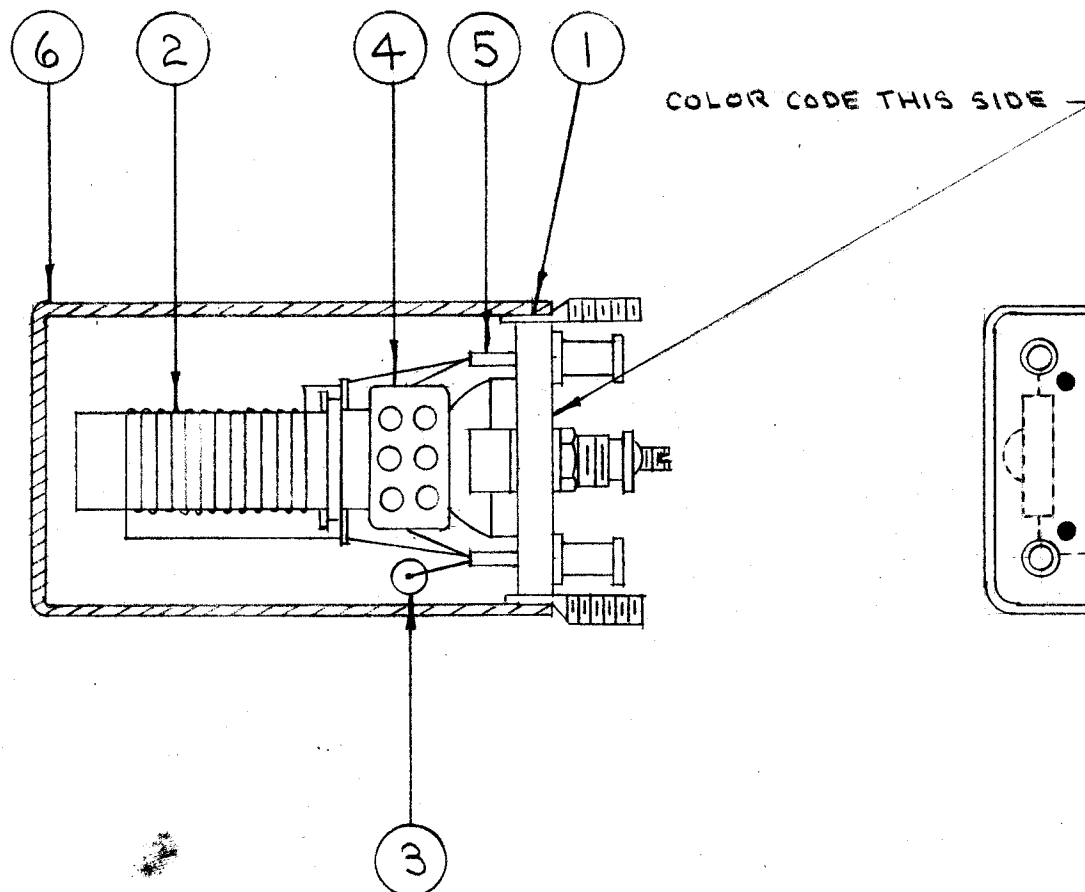
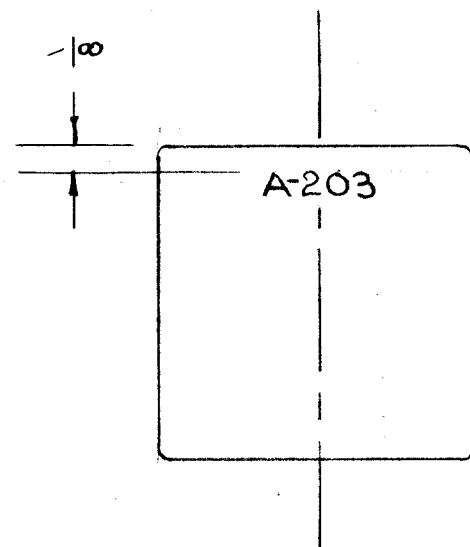
IF IT IS FOUND DESIRABLE TO CHANGE ANY TOLERANCE OR OTHER DETAIL SPECIFIED ON THIS DRAWING NOTIFY THE PURCHASER PROMPTLY.

MAXIMUM ALLOWABLE TOLERANCES HAVE BEEN DETERMINED AND DEVIATIONS WILL BE CAUSE FOR REJECTION. REMOVE ALL BURRS AND SHARP EDGES

RELEASED

A-203 A

STAMP 1/8" BLACK LETTERS.
COAT WITH S-113, FUNGUS
RESISTANT VARNISH



1	6	A-163	CAN	
X	5	BS-100	SOLDER, SOFT	
1	4	CM20Q221J	CAPACITOR, FIXED	C-106
1	3	RC20GF473K	RESISTOR, FIXED	R-109
1	2	A-204	COIL, R.F. SUB ASSY.	
1	1	A-208	TERMINAL BOARD ASSY.	

REQ.	ITEM	PART NO.	DESCRIPTION	SYMBOL
#			THE TECHNICAL MATERIEL CORP. MAMARONECK, NEW YORK	
STOCK SIZE				
#		#	FILTER ASSEMBLY	
MATERIAL		WEIGHT PER PC.		
#				
TYPE & TEMPER			C.O.D. 10-23-52	
#			A.J.T.O. <i>[Signature]</i>	
HEAT TREAT. SPEC.			DRAWN	
#			ELEC. DES. APP. <i>[Signature]</i>	
#			MECH. DES. APP. <i>[Signature]</i>	
#			M.H.S.	
#			CHECKED	
#			FINAL APPROVAL	
#			A-203	
#			A	

A	2	WAS C-109	11/5/52	1	CDD	<i>[Signature]</i>	<i>[Signature]</i>
A	1	WAS CM2SA 221 J	11/5/52	1	CDD	<i>[Signature]</i>	<i>[Signature]</i>
ISSUE	ITEM	CHANGED FROM	DATE	CN. NO.	DRAFTS	CHECKER	ENG. APP.
TOLERANCES			SCALE: 1" = 1"				
ALL OTHERS			DRILL, PUNCH, COMMERCIAL STOCK SIZES AND MANUFACTURERS TOLERANCES ARE NOT INCLUDED.				
LFA		109	A-201	10-23-52			
MODEL		PROJECT NO.	ASS'Y. NO.	DATE			
		USED ON					