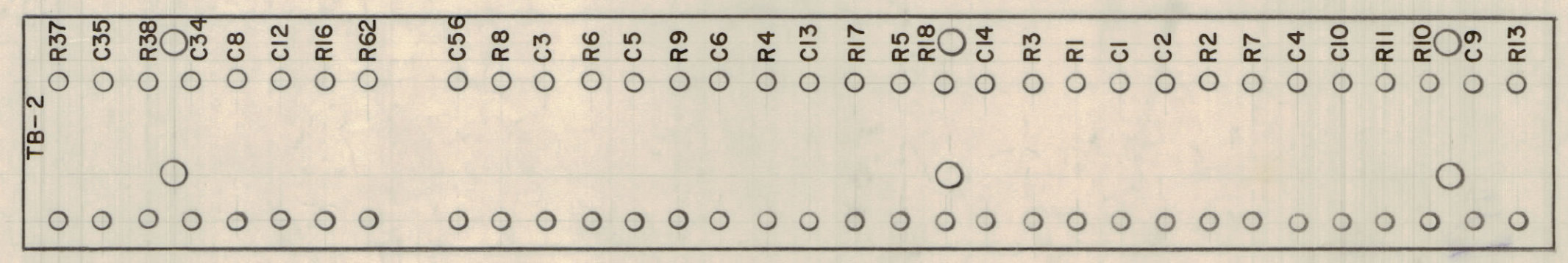
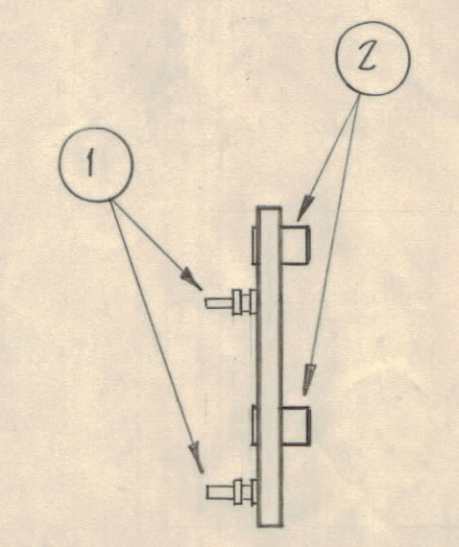


MACHINING ~ (A-194B-1) Material ~ 1/8thk. Phenolic

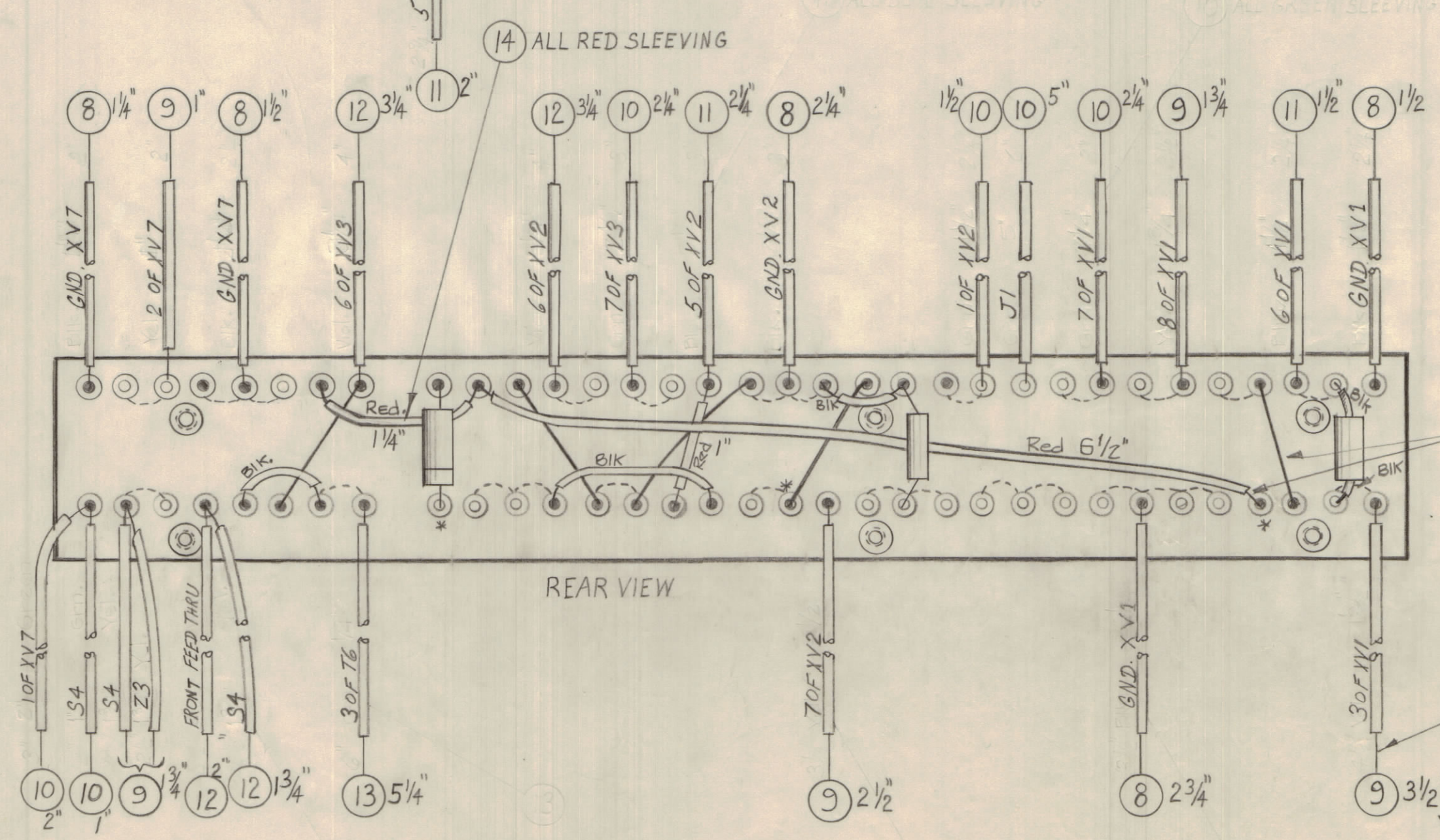
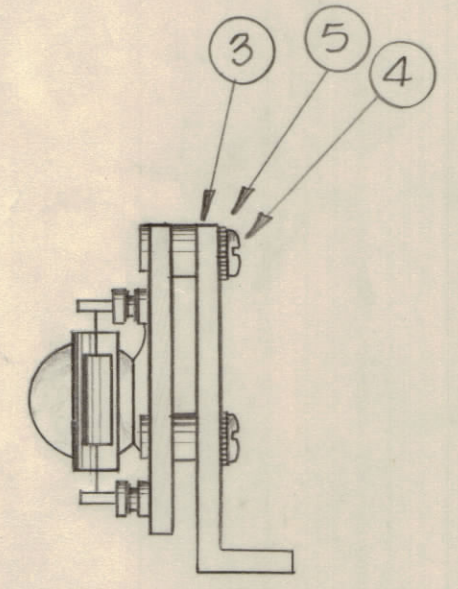
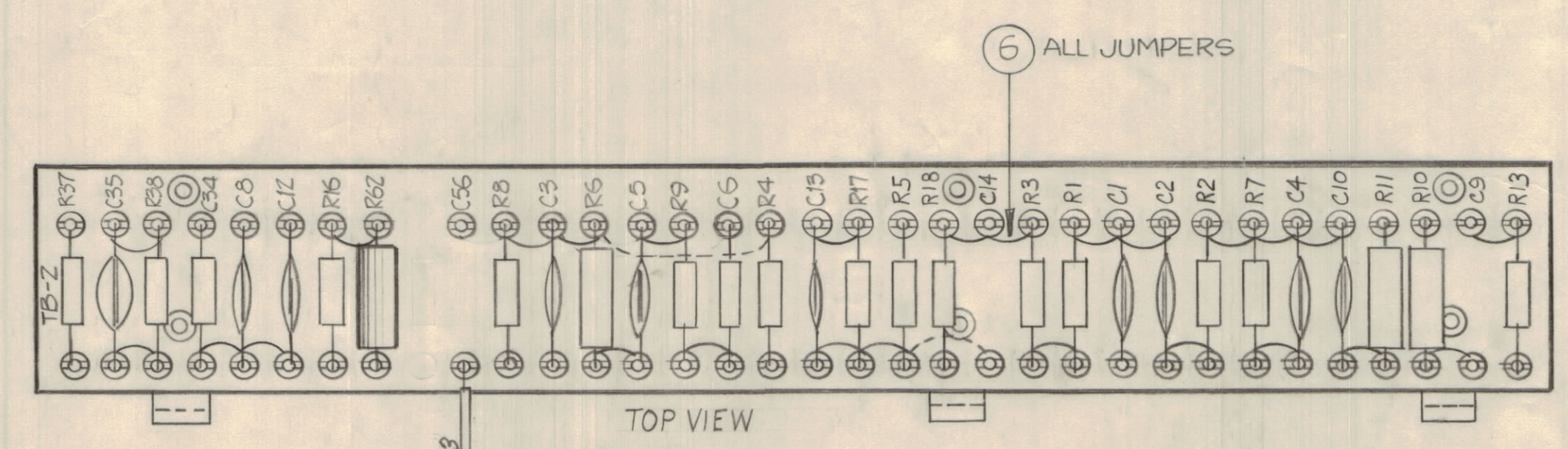


ALL LETTERING 1/8" HIGH BLACK GOTHIC.

STAMPING (A-194B-2)



SUB-ASS'Y. (A-194B-3)



ALL WIRE LEADS 3/4" LONGER THAN SLEEVING.

SLEEVING LENGTH (TYP.)

NOTICE TO PERSONS RECEIVING THIS DRAWING

THE TECHNICAL MATERIEL CORPORATION claims proprietary right in the material disclosed hereon. This drawing is issued in confidence for engineering information only and may not be reproduced or used to manufacture anything shown hereon without permission from THE TECHNICAL MATERIEL CORPORATION to the user. This drawing is loaned for mutual assistance and is subject to recall at any time.

* DO NOT SOLDER THESE CONNECTIONS ON ASSY.

ELECTRICAL ASSEMBLY (A-194B-4)

Property of:
THE TECHNICAL MATERIEL CORPORATION
MAMARONECK, NEW YORK

QTY	PART NO.	DESCRIPTION	SYMBOL
Z 34	CN-100-1	CAPACITOR, FIXED (.01)	C9, C36
1 33	RC20GF223K	RESISTOR, FIXED, COMP	R37
1 32	CC-101-4	CAPACITOR, FIXED, CERAMIC	C6
X 31	BS-100	SOLDER, SOFT	
1 30	RC42GF223K	RESISTOR, FIXED, COMP	R62
1 29	RC20GF121K		R38
1 28	RC20GF106K		R18
1 27	RC20GF155K		R17
1 26	RC20GF154K		R13
Z 25	RC20GF222K		R16, R8
1 24	RC20GF471K		R7
1 23	RC32GF683K		R6
1 22	RC20GF331K		R5
3 21	RC32GF223K		R4, 10, 11
Z 20	RC20GF474K		R9, R2
2 19	RC20GF104K	RESISTOR, FIXED, COMP	R1, R3
1 18	CC215L300J	CAPACITOR, FIXED, COMP.	C34
1 17	CN108C1003J		C14
1 16	CC-100-9		C13
9 15	CC-100-16	CAPACITOR, FIXED, CERAMIC	
8 14	PX-104-3-.034	INSULATION, SLEEVING (SIZE 20)	Red
5 13			Orange
6 12			Violet
9 11			Blue
13 10			Green
10 9			Yellow
9 8	PX-104-1-.034	INSULATION, SLEEVING (SIZE 20)	Black
6 7	WL-100-7	WIRE, BUSS (SIZE 22)	
X 6	WL-100-8	WIRE, BUSS (SIZE 24)	
6 5	LWEO6MRN	LOCKWASHER, EXT.	
6 4	SCB50632BNG	SCREW, MACHINE	
3 3	MS-1321	BRACKET, ANGLE, T.B.	
6 2	TE-108-8	STANDOFF, RIVET TYPE	
66 1	TE-109-3	TERMINAL, LUG	

ISSUE ZONE	DESCRIPTION	DATE	CH. NO.	DRAFTS	CHECKER	ENG. APP.

TOLERANCES: DEC. DIM. ±, FRAC. DIM. ±, ANGULAR DIM. ±

SCALE: 1" = 1"

MAXIMUM ALLOWABLE TOLERANCES HAVE BEEN DETERMINED AND ANY DEVIATIONS WILL BE CAUSE FOR REJECTION. REMOVE ALL BURRS AND SHARP EDGES.

REQ PER UNIT	MODEL	SECTION	ASSY. NO.	DATE
1	MSR-6			8-22-60

REQ. ITEM	PART NO.	DESCRIPTION	SYMBOL
1		STOCK SIZE	
		PHENOLIC	
		XXXP	
		TYPE & TEMPER	
		HEAT TREAT SPEC.	
		NATURAL	
		FINISH & SPEC. NO.	

THE TECHNICAL MATERIEL CORP. MAMARONECK, NEW YORK

TERMINAL BOARD NO 2

DRAWN: [Signature] ELEC. DES. APP. [Signature] MECH. DES. APP. [Signature]

CHECKED: [Signature] FINAL APPROVAL: [Signature]

A-1948