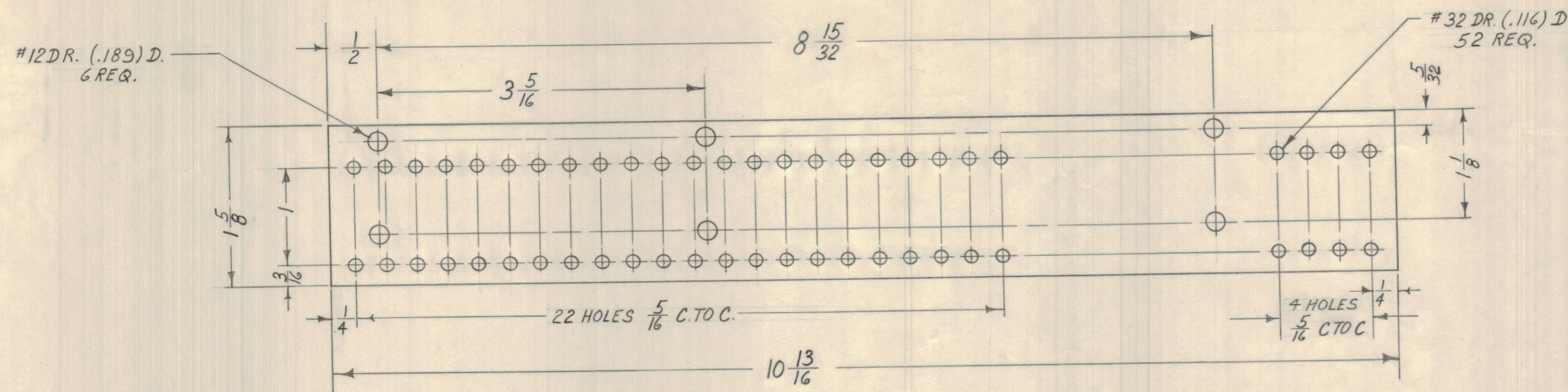


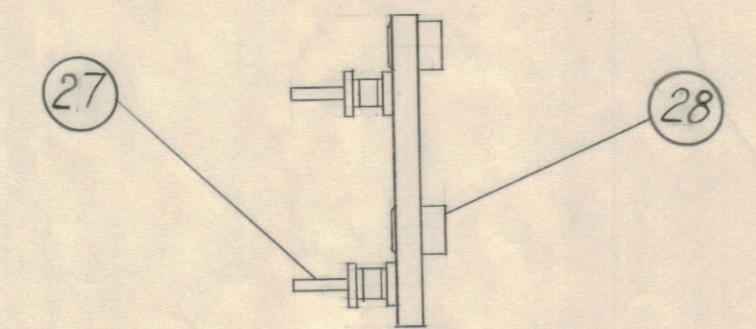
NOTICE TO PERSONS RECEIVING THIS DRAWING

THE TECHNICAL MATERIEL CORPORATION claims proprietary right in the material disclosed hereon. This drawing is issued in confidence for engineering information only and may not be reproduced or used to manufacture anything shown hereon without permission from THE TECHNICAL MATERIEL CORPORATION to the user. This drawing is loaned for mutual assistance and is subject to recall at any time.

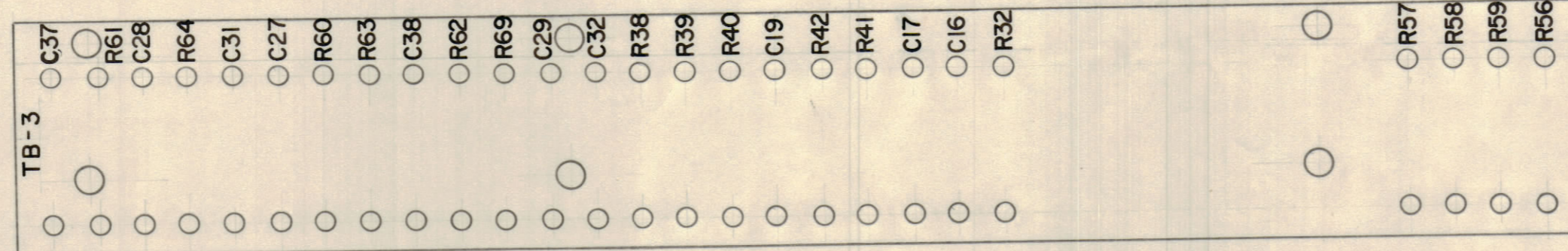
Property of:
THE TECHNICAL MATERIEL CORPORATION
MAMARONECK, NEW YORK



MACHINING - A-1944-1
MATERIAL - 1/8", XXXP, PHENOLIC, FINISH - NATURAL

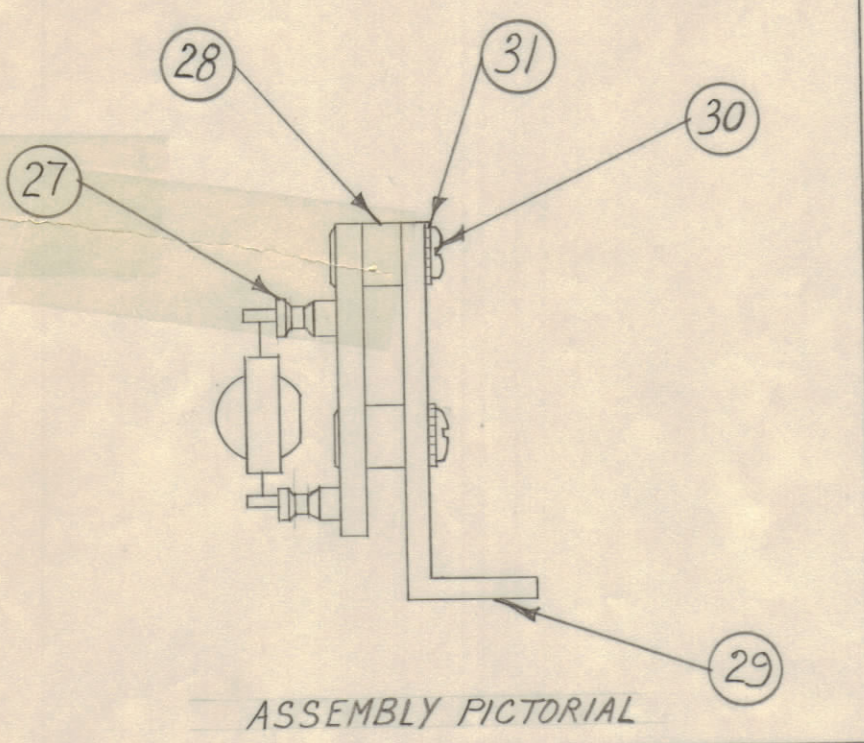


SUB-ASSEMBLY - A-1944-3

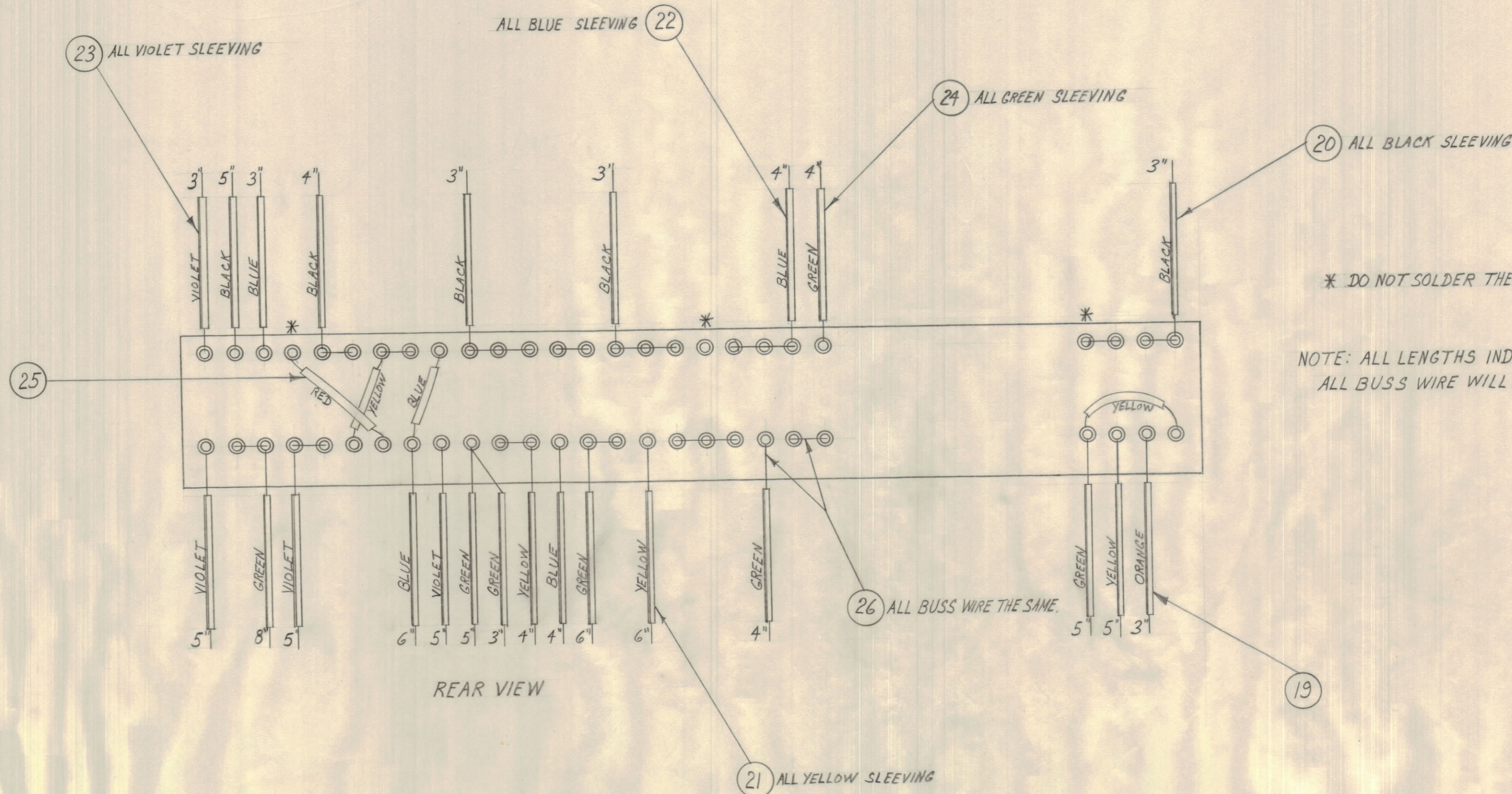


STAMPING - A-1944-2

STAMPING TO BE 1/8 HIGH BLACK GOTHIC.



ASSEMBLY PICTORIAL



REAR VIEW

ELECTRICAL ASSEMBLY - A-1944-4

* DO NOT SOLDER THESE CONNECTIONS.

NOTE: ALL LENGTHS INDICATED ARE SLEEVING LENGTHS
ALL BUSS WIRE WILL BE 1" LONGER.

REQ.	ITEM	PART NO.	DESCRIPTION	SYMBOL
6	31	LWE06MRC	LOCKWASHER, EXTERNAL	
6	30	SCBS0632BC6	SCREW, MACHINE	
3	29	MS-1321	ANGLE BRACKET	
6	28	TE-108-8	STANDOFF, RIVET TYPE	
52	27	TE-109-3	TERMINAL LUG	
X	26	WL-100-7	WIRE, BUSS-BAR	
X	25	PY-104-3-.034	INSULATION, SLEEVING	RED
X	24	-4		GREEN
X	23	-9		VIOLET
X	22	-6		BLUE
X	21	-2		YELLOW
X	20	-1		BLACK
X	19	PX-104-8-.034	INSULATION, SLEEVING	ORANGE
3	18	CN-106-C-104K	CAPACITOR, MICA	C31, 19, 27
4	17	CC-100-16	CAPACITOR, DISC	CM, 33, 32, 31
1	16	CC-100-28	CAPACITOR, DISC	C29
2	15	CM20E102B	CAPACITOR, MICA	C17, 28
1	14	RC32GF822K	RESISTOR, FIXED COMP.	R58
1	13	RC20GF155K		R61
1	12	823K		R64
2	11	104K		R60, 56
2	10	103K		R63, 32
1	9	223K		R62
1	8	202K		R69
1	7	154K		R38
1	6	103K		R39
1	5	221K		R40
1	4	332K		R42
1	3	222K		R41
1	2	473K		R57
1	1	RC20GF101K	RESISTOR, FIXED COMP.	R59

REQ. PER UNIT	MODEL	SECTION	ASBY. NO.	DATE	USED ON	FINISH & SPEC. NO.
1	AFC-1			8-12-60		

ISSUE ZONE	DESCRIPTION	DATE	CH. NO.	DRAFTS	CHECKER	ENG. APP.
A	3 C37 added to ITEM 17 ITEM #18 WAS RC20GF822K ITEM #19 WAS CM105C0033	8/24/60	28	49	Ru	[Signature]

DEC. DIM. ±
FRAC. DIM. ± 1/64
ANGULAR DIM. ±

MAXIMUM ALLOWABLE TOLERANCES HAVE BEEN DETERMINED AND ANY DEVIATIONS WILL BE CAUSE FOR REJECTION.
REMOVE ALL BURRS AND SHARP EDGES