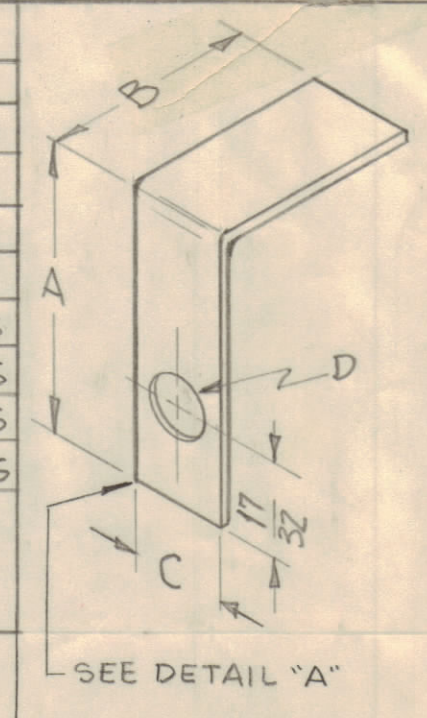


NOTICE TO PERSONS RECEIVING THIS DRAWING

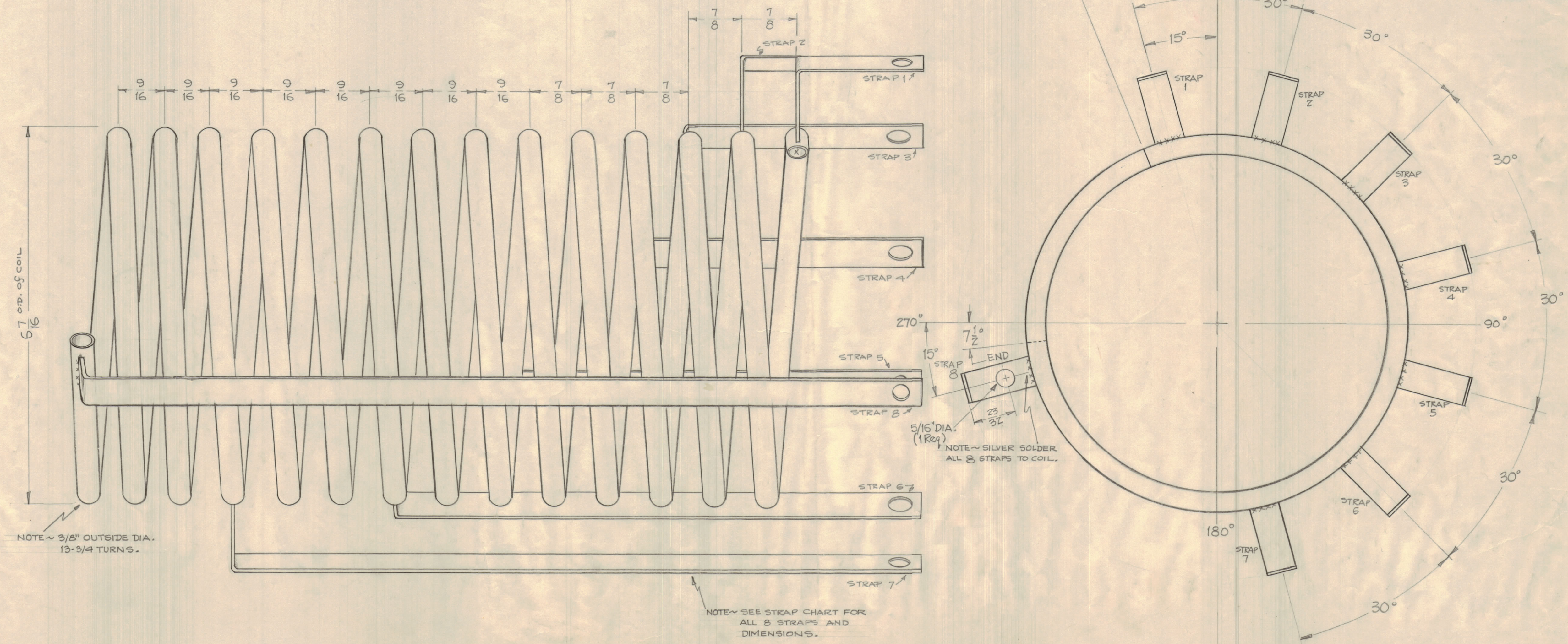
THE TECHNICAL MATERIEL CORPORATION claims proprietary right in the material disclosed herein. This drawing is issued in confidence for engineering information only and may not be reproduced or used to manufacture anything shown herein without permission from THE TECHNICAL MATERIEL CORPORATION to the user. This drawing is loaned for mutual assistance and is subject to recall at any time.

Property of:
THE TECHNICAL MATERIEL CORPORATION
MAMARONECK, NEW YORK

CHART			
STRAP No	A	B	D
1	2 3/8	1 1/8	1/2
2	3 9/16	1 1/8	1/2
3	4 13/32	1 1/8	1/2
4	5 7/16	1 1/8	1/2
5	6 11/16	1 1/8	1/2
6	8	1 1/8	1/2
7	9 23/32	1 1/8	1/2
8	11 27/32	1 1/8	1/2



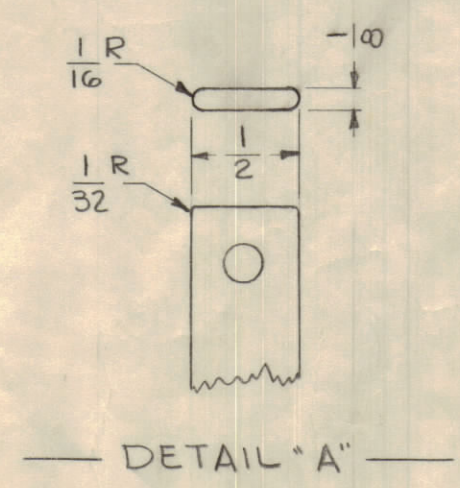
SEE DETAIL "A"



NOTE ~ 3/8" OUTSIDE DIA.
13-3/4 TURNS.

NOTE ~ SEE STRAP CHART FOR ALL 8 STRAPS AND DIMENSIONS.

NOTE-FINISH:
STEP 1 ~ SILVER PLATE .0005
STEP 2 ~ CLEAR IRIDITE



X-TO BE DETERMINED BY DEVELOPMENT.

ISSUE	ZONE	DESCRIPTION	DATE	CH. NO.	DRAFTS	CHECKER	ENG. APP.
C		ITEM 1 ADDED	10.24.66	17073	WJW	QJF	[Signature]
B	32	ON CHART, STRAPS (1) TO (8) "A" CLARIFIED	2.7.63	8179	[Signature]	[Signature]	[Signature]
A	26	DETAIL "A" ADDED, MATERIAL ADDED	1/20/61	2978	PJM	QJF	[Signature]
A	26	Added Dimensions for Straps 5, 6, 7 & 8 to Chart.	1/20/61	2978	PJM	QJF	[Signature]

REQ. NO.	ITEM	PART NO.	DESCRIPTION	SYMBOL
1	2	CL133-4-100C	COIL CW	
22	1	TU100-6N	TUBING, COPPER	

THE TECHNICAL MATERIEL CORP.
MAMARONECK, NEW YORK

STOCK SIZE
3/8 COPPER TUBING
1/8 x 1/2 FLAT COPPER STRAP

MATERIAL

CL-237 ASSEMBLY
(FINAL RE COIL ASSY)

TYPE & TEMPER

HEAT TREAT. SPEC.

SEE NOTE

FINISH & SPEC. NO.

DRAWN: [Signature]
ELEC. DES. APP. [Signature]
MECH. DES. APP. [Signature]
CHECKED: [Signature]
FINAL APPROVAL: [Signature]

A-1942

REQ. PER UNIT	MODEL	SECTION	ASSY. NO.	DATE
1	GPT10KP			8-8-60

USED ON