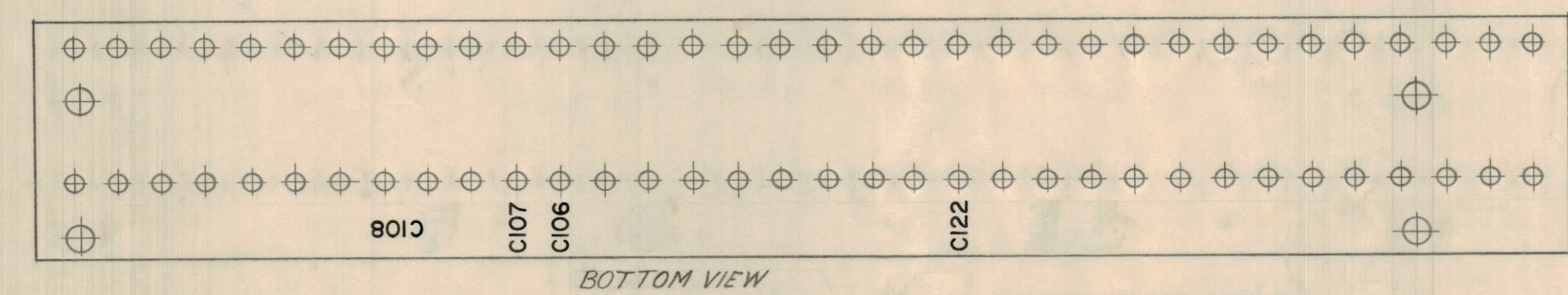
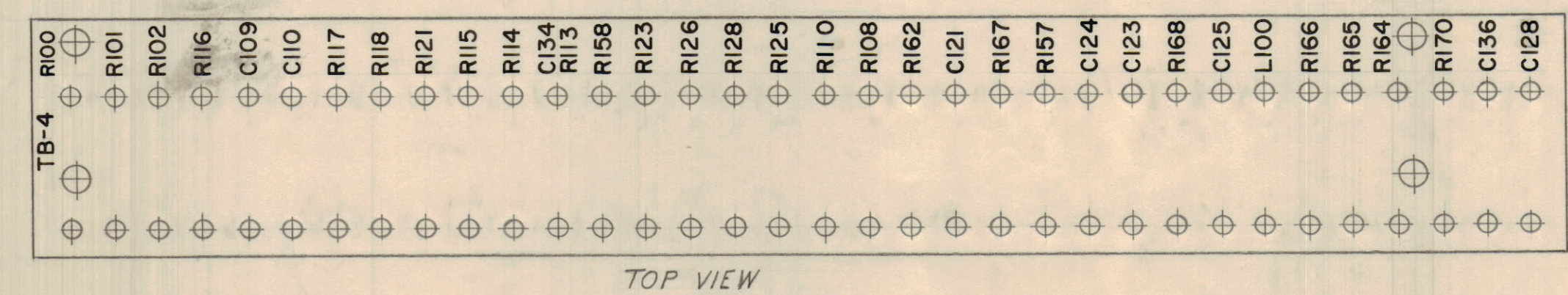
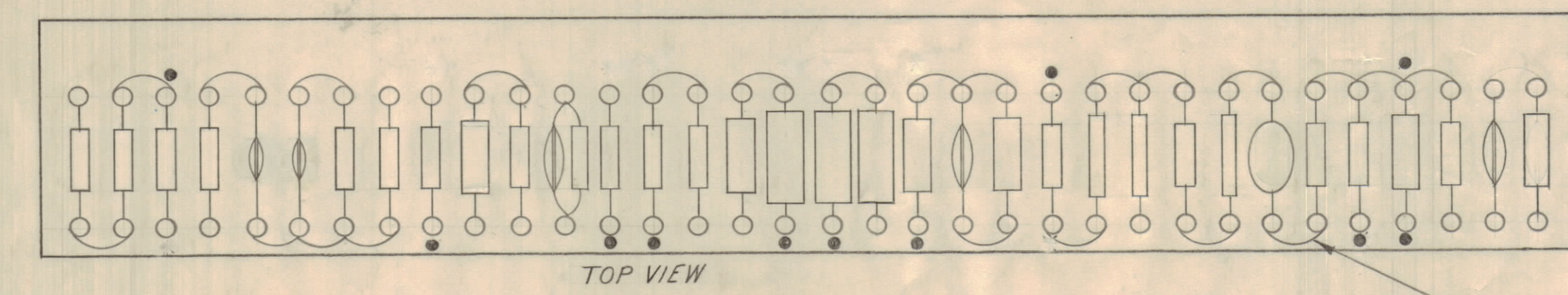


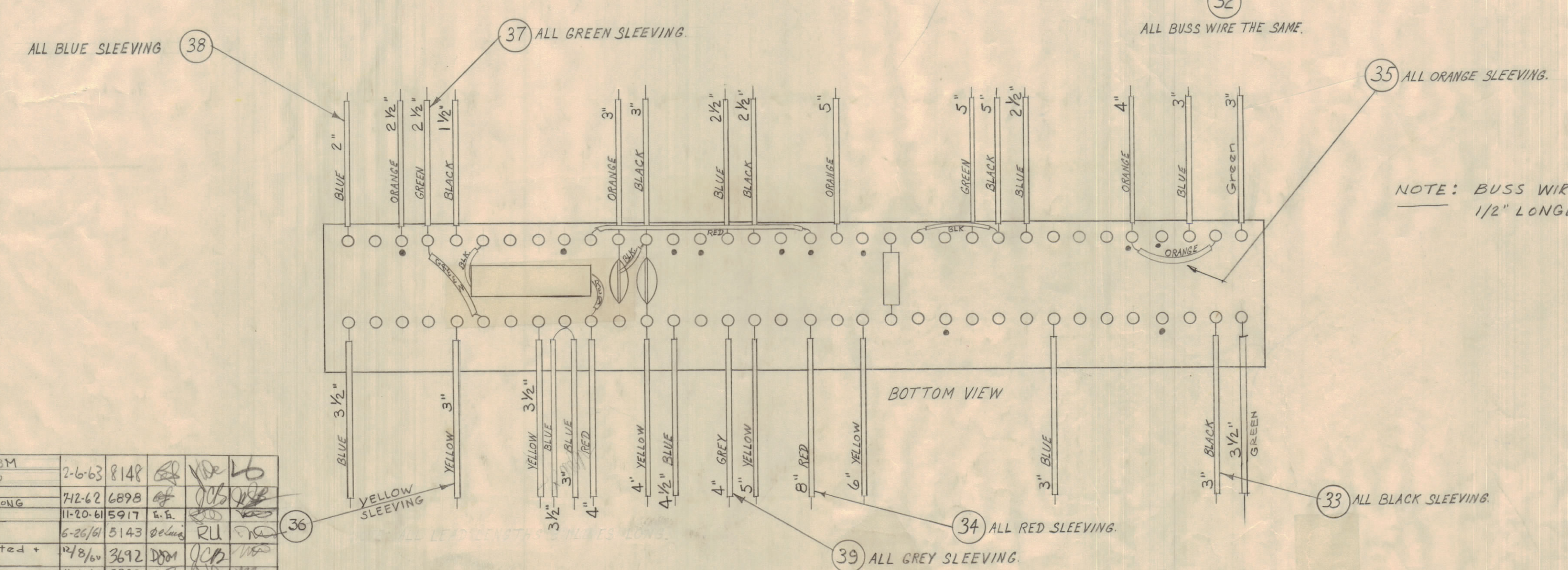
STAGE 1 - MACHINING (A-1934-1)
MATERIAL - 1/8" THICK, XXXP, PHENOLIC, FINISH - NATURAL.



STAMPING 1/8 HIGH BLACK GOTHIC.
STAGE 2 - STAMPING (A-1934-2) MARKING PROCESS: AS PER I.T.M.C SPECIFICATION S-727

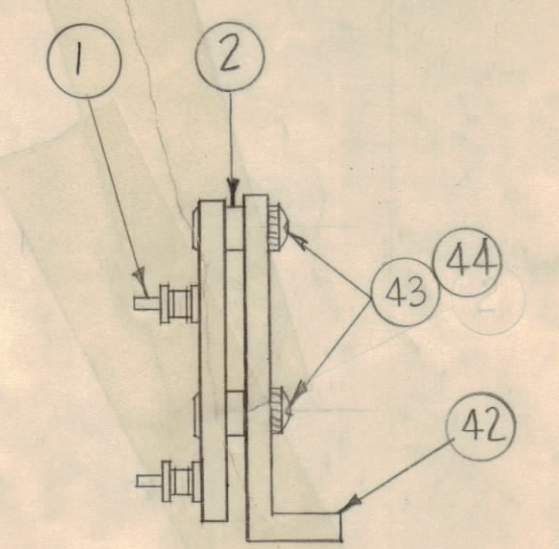


NOTE: DO NOT SOLDER IN ASSEMBLY.



NOTE: BUSS WIRE SHOULD BE APPROX 1/2" LONGER THAN SLEEVING.

STAGE 4 - ELECTRICAL ASSEMBLY (A-1934-4)



STAGE 3 - SUB-ASSEMBLY (A-1934-3)

REQ. ITEM	PART NO.	DESCRIPTION	SYMBOL
4	44	LWEO6MRN	LOCKWASHER, EXTERNAL
4	43	SCBPO632BN5	SCREW, MACHINE
2	42	MS-1321	BRACKET, TERMINAL BOARD
1	41	CM20B510K	CAPACITOR, FIXED, MICA C128
40	BS-100	SOLDER, SOFT	
39	PX-104-7-.034	INSULATION, SLEEVING	GREY
38	6		BLUE
37	4		GREEN
36	2		YELLOW
35	8		ORANGE
34	3		RED
33	PX-104-1-.034	INSULATION, SLEEVING	BLACK
32	WL-100-7	WIRE, BUSS	
1	31	CN108C1003M	CAPACITOR, FIXED "MYLAR" C108
1	30	CN108C1003M	CAPACITOR, FIXED "MYLAR" C122
1	29	CL-140-1	CHOKE, RF L100
1	28	CM20B300K	CAPACITOR, FIXED, MICA C123
2	27	CM20D102G	CAPACITOR, FIXED, MICA C124, C125
3	26	CC-100-24	CAPACITOR, FIXED, CERAMIC C109, C107, C136
1	25	-16	C121
1	24	-15	C134
2	23	CC-100-9	CAPACITOR, FIXED, CERAMIC C103, C110
1	22	RC20GF821K	RESISTOR, FIXED, COMPOSITION R166
1	21	RC20GF334K	R157
1	20	RC32GF471K	R167
2	19	RC32GF103K	R162, R64
1	18	RC42GF333K	R108
1	17	RC42GF152K	R110
1	16	RC42GF104K	R125
1	15	RC32GF202J	R128
1	14	RC20BF680K	R126
2	13	RC20GF275K	R123, R158
12		DELETED	
1	11	RC20GF181K	R113
2	10	RC20GF563K	R168, R14
1	9	RC32GF472K	R115
1	8	RC20GF224K	R121
1	7	RC20GF222K	R118
2	6	RC20GF470K	R165, R170
1	5	RC20GF103K	R116
2	4	RC20GF474K	R102, R117
2	3	RC20GF154K	RESISTOR, FIXED, COMPOSITION R109, R101
4	2	TE-108-8	STANDOFF, RIVET TYPE
68	1	TE-109-3	TERMINAL, LUG

ISSUE	ZONE	DESCRIPTION	DATE	CH. NO.	DRAFTS	CHECKER	ENG. APP.
H	D2	ITEM (31) WAS CN108C1003M	2-6-63	8148			
EZ		ITEMS (42) TO (44) ADDED					
G	C7	SLEEVING LENGTHS ADDED	7-2-62	6898			
F	B2	ITEM 5 WAS RC20GF102K	11-20-61	5917			
E	A2	ITEM (1) WAS TE-109-9	6-26-61	5143			
D	B1C	ITEM 12, RC20GF335K DELETED + ADDED TO ITEM NO. 15.	4-8-60	3692			
C	D2	ITEMS 33 THROUGH 39 WERE PX-100	11-1-60	3333			
B	1	ITEM 15, WAS RC20GF222K	9-28-60	3116			
A	B2	ITEM 6, R111 DELETED & QUANT WAS 3	7-28-60				
A	B2	ITEM 4, R111 ADDED & QUANT WAS 1					
A	B2	ITEM 15, WAS RC20GF222K					

FORM-111
DEC. DIM. ±
FRACTIONAL DIM. ±
ANGULAR DIM. ±

REQ. PER UNIT	MODEL	SECTION	ABBY. NO.	DATE
1	DVM-4			2-1-62
1	DVM-2			7-20-60

THE TECHNICAL MATERIEL CORP. MAMARONECK, NEW YORK			
STOCK SIZE			
MATERIAL			
TYPE & TEMPER			
DRAWN	ELEC. DES. APP.	MECH. DES. APP.	
CHECKED	FINAL APPROVAL		
FINISH & SPEC. NO.			

A-1934