

REG. PER. UNIT	USED ON	MODEL	ASBY. NO.	DATE
		GPT-40K	AX-209	6-9-60

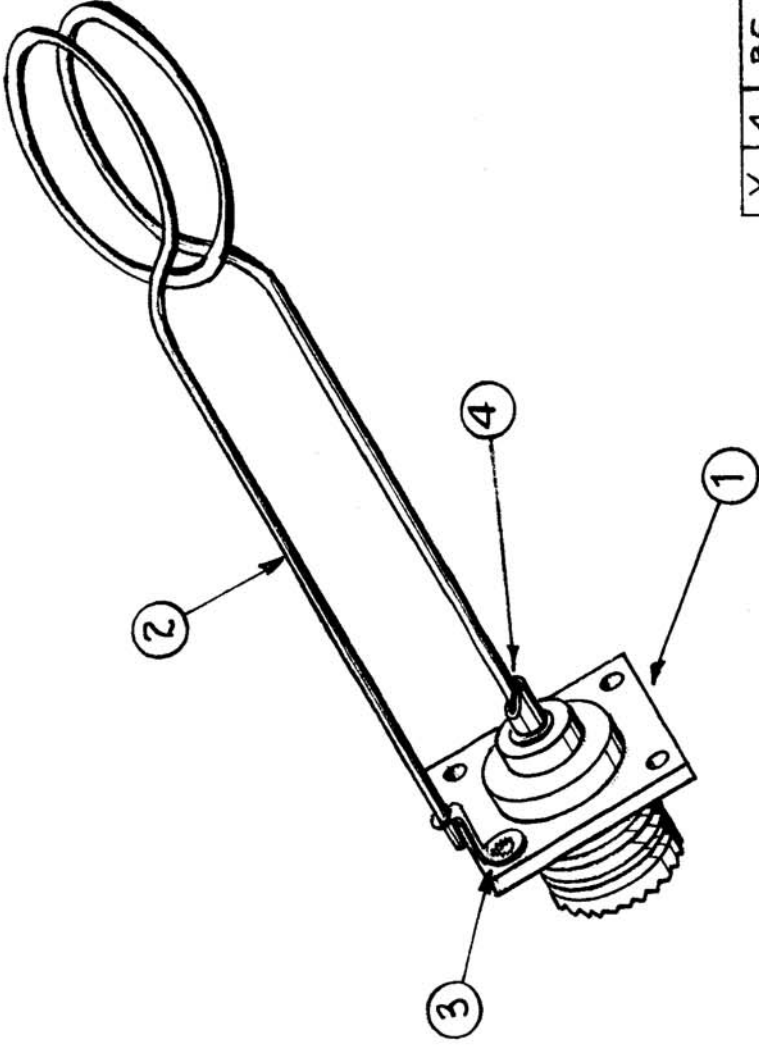
A 1911 A

NOTICE TO PERSONS RECEIVING THIS DRAWING

THE TECHNICAL MATERIEL CORPORATION claims proprietary right in the material disclosed herein. This drawing is issued in confidence for engineering information only and may not be reproduced or used to manufacture anything shown hereon without permission from THE TECHNICAL MATERIEL CORPORATION to the user. This drawing is loaned for mutual assistance and is subject to recall at any time.

Property of:

THE TECHNICAL MATERIEL CORPORATION
MAMARONECK, NEW YORK



REQ.	ITEM	PART NO.	DESCRIPTION	SYMBOL
X	4	BS 100	Solder, Soft	
1	3	TE 104-1	Lug, Ground	
1	2	CL 183	Coil, RF, Probe	
1	1	SO 239A	Connector	
THE TECHNICAL MATERIEL CORP. MAMARONECK, NEW YORK AJ-101 ASSEMBLY (RF CONNECTOR PROBE)				
DRAWN		CHECKED		FINAL APPROVAL
D.P.M.		F. S.		V. C. S.
TYPE & TEMPER		HEAT TREAT. SPEC.		FINISH & TOL.
				ELEC. DES. APP. MECH. DES. APP.
				A 1911 A

ISSUE ITEM	CHANGED FROM	DATE	CH. NO.	DRAFTS	CHECKER	ENG. APP.
A	IT-1 WAS SO239A	3-1-67	17874	RME	[Signature]	[Signature]
TOLERANCES DEC. DIM. ± FRAC. DIM. ± ANGULAR DIM. ±						
SCALE: MAXIMUM ALLOWABLE TOLERANCES HAVE BEEN DETERMINED AND ANY DEVIATIONS WILL BE CAUSE FOR REJECTION. REMOVE ALL BURRS AND SHARP EDGES						