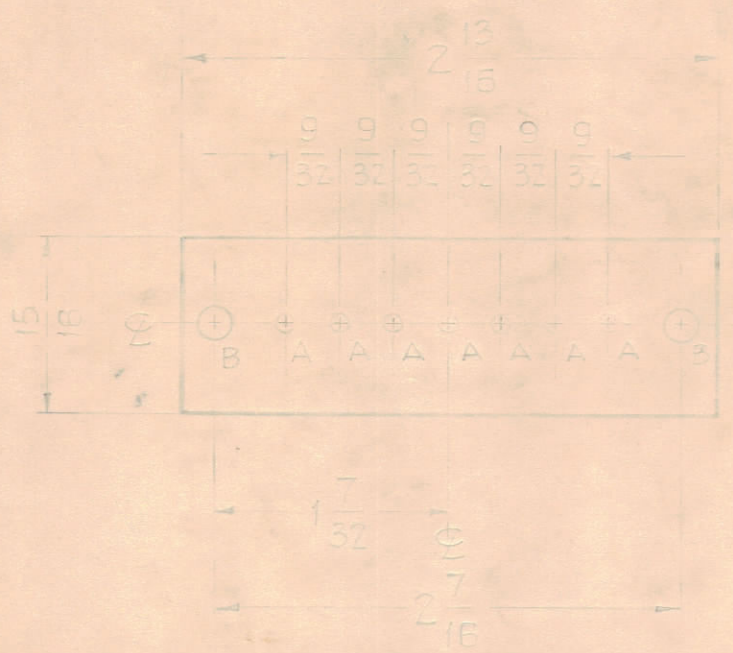


NOTICE TO PERSONS RECEIVING THIS DRAWING

THE TECHNICAL MATERIEL CORPORATION claims proprietary right in the material disclosed hereon. This drawing is issued in confidence for engineering information only and may not be reproduced or used to manufacture anything shown hereon without permission from THE TECHNICAL MATERIEL CORPORATION to the user. This drawing is loaned for mutual assistance and is subject to recall at any time.

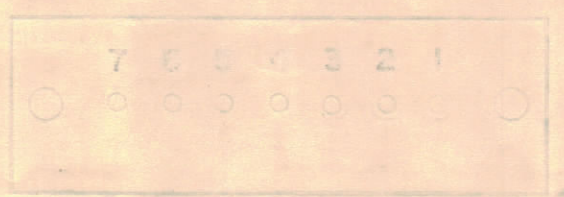
Property of:
THE TECHNICAL MATERIEL CORPORATION
MAMARONECK, NEW YORK

HOLES -
A - DRILL 2.9MM DIA. 7 REQ.
B - DRILL (1.7) DIA. 2 REQ.



MATERIAL - W.6. P.BICK, XXXP NATURAL PHENOLIC.

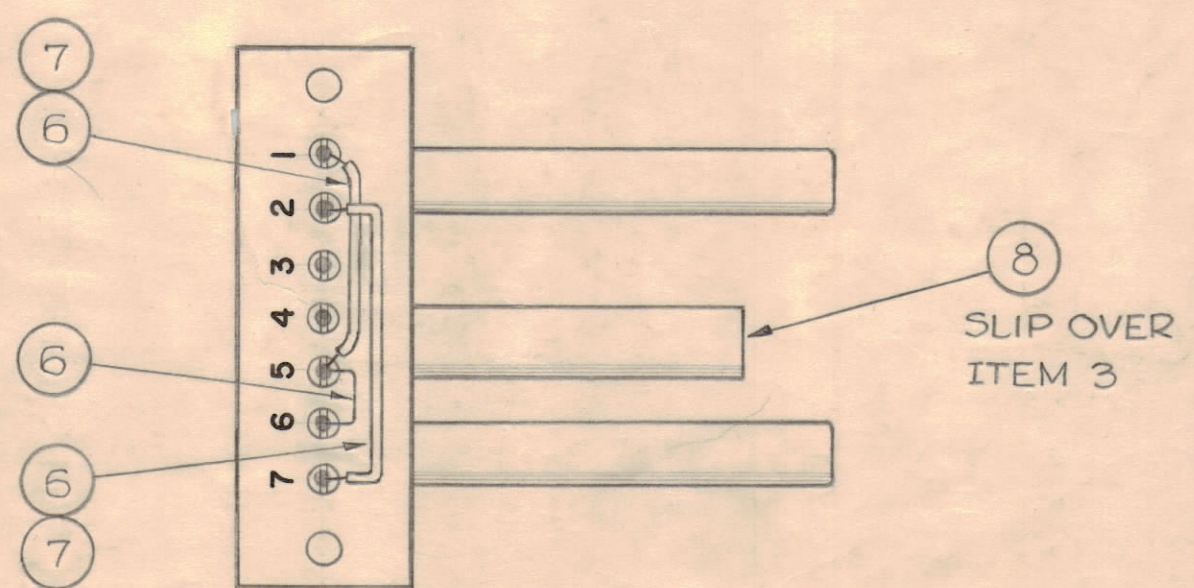
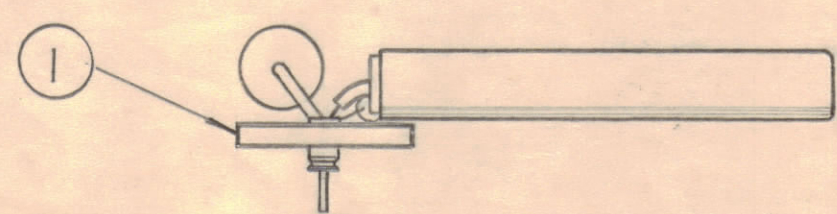
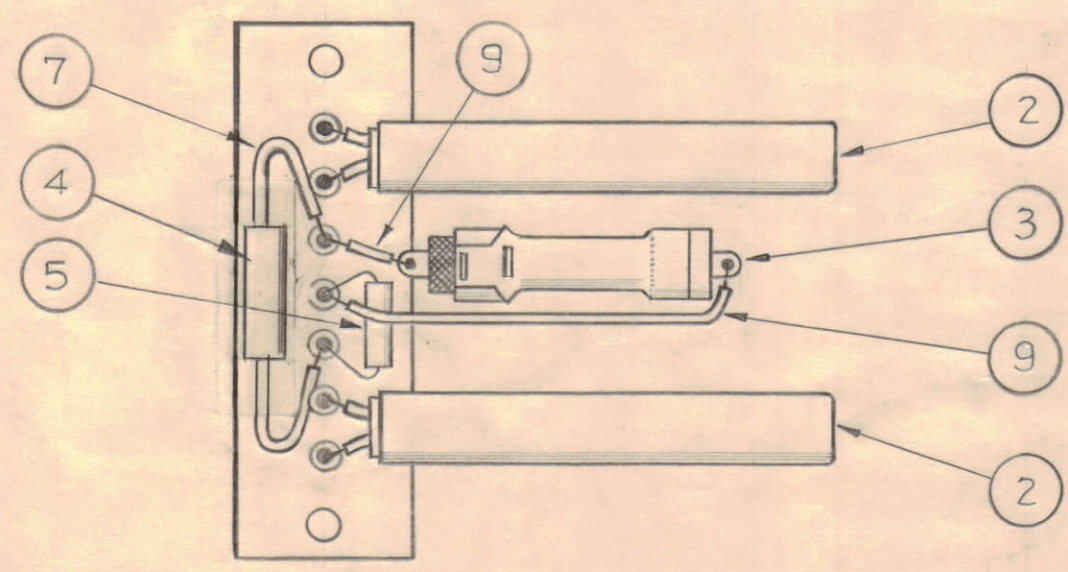
STAGE 1 - MACHINING
(A-1907-1)



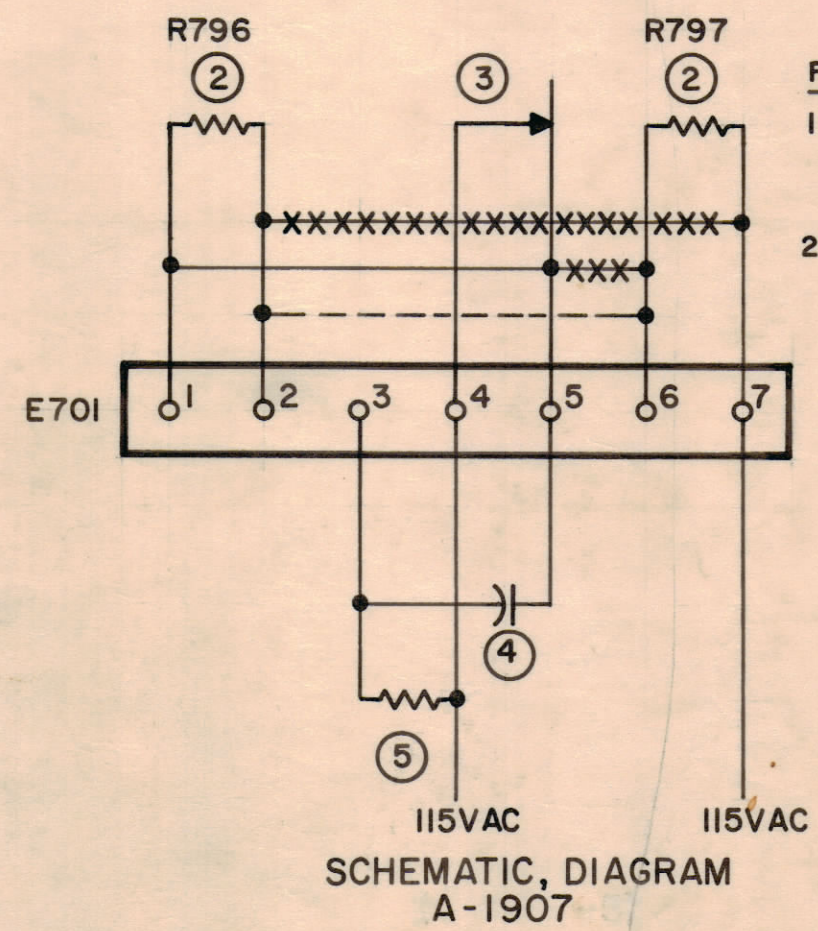
NOTE - ALL LETTERING 1/8" HIGH BLACK STYIC

STAGE 2 - LETTERING
(A-1907-2)

STAGE 3 - SUB-ASSEMBLY
(A-1907-3)



STAGE 4 - FINAL ASSEMBLY
(A-1907-4)



SCHEMATIC, DIAGRAM
A-1907

| | | | | |
|-------|----|---------------|------------------------------|-------------|
| X | 10 | BS-100 | SOLDER, SOFT | |
| X | 9 | MWC22 (7) B90 | CABLE, INSULATED, GLASS | White/Black |
| 2 3/8 | 8 | PX-342-F-294 | INSULATION, SLEEVING | Brown |
| X | 7 | PX-104-1-034 | INSULATION, SLEEVING | Black |
| X | 6 | WL-100-7 | WIRE, BUSS BAR, TINNED | |
| I | 5 | RC20GF121J | RESISTOR, FIXED | R793 |
| I | 4 | CN-113-1 | CAP, FIXED, MYLAR DIELECTRIC | C844 |
| I | 3 | SS-100-2 | SWITCH, SENSITIVE, 70° | S705 |
| Z | 2 | RR102-1 | ELEMENT, HEATER | R796/R797 |
| I | 1 | PX-382 | TERMINAL BD | |

| ISSUE ZONE | DESCRIPTION | DATE | CH. NO. | DRAFTS | CHECKER | ENG. APP. |
|------------|--|----------|---------|--------|---------|-----------|
| G | DELE. DECIMAL IT. 8. IT. 7 WAS PX104-1-022, IT. 5 WAS RC20GF121K | 10/19/66 | 17049 | RME | | |
| F | # IT. 9 WAS LWC22(7)B90 | 2-25-65 | 13499 | JE | | |
| E | B2 ITEM (1) QTY WAS 7 | 7-3-63 | 9435 | | | |
| D | C2 ITEM (5) WAS PX-104-5-375 | 2-2-63 | 8238 | | | |
| C | E4 ITEM 4 WAS CN-100-3 | 4-7-61 | 4571 | WAF | | |
| B | B2 ITEM ONE WAS TE-100-8 TERM. BD. MACH. & LETTERING DELETED | 9-2-60 | | CY | | |
| A | B2 ITEM 5 WAS RC20GF101K | 8-30-60 | 2881 | CY | | |

TOLERANCES: DEC. DIM. ±, FRAC. DIM. ± 1/64, ANGULAR DIM. ±

SCALE: DO NOT SCALE

MAXIMUM ALLOWABLE TOLERANCES HAVE BEEN DETERMINED AND ANY DEVIATIONS WILL BE CAUSE FOR REJECTION. REMOVE ALL BURRS AND SHARP EDGES

| | | | | |
|--------------|-------|---------|-----------|---------|
| REQ PER UNIT | MODEL | SECTION | ASSY. NO. | DATE |
| 1 | CLL-1 | | | 5-26-60 |

| | | |
|--|-----------------|-----------------|
| THE TECHNICAL MATERIEL CORP. MAMARONECK, NEW YORK | | |
| ASSEMBLY, HEATER, TERMINAL BOARD | | |
| John C. Biele | J. D. | |
| DRAWN | ELEC. DES. APP. | MECH. DES. APP. |
| CHECKED | FINAL APPROVAL | |
| A-1907 G | | |