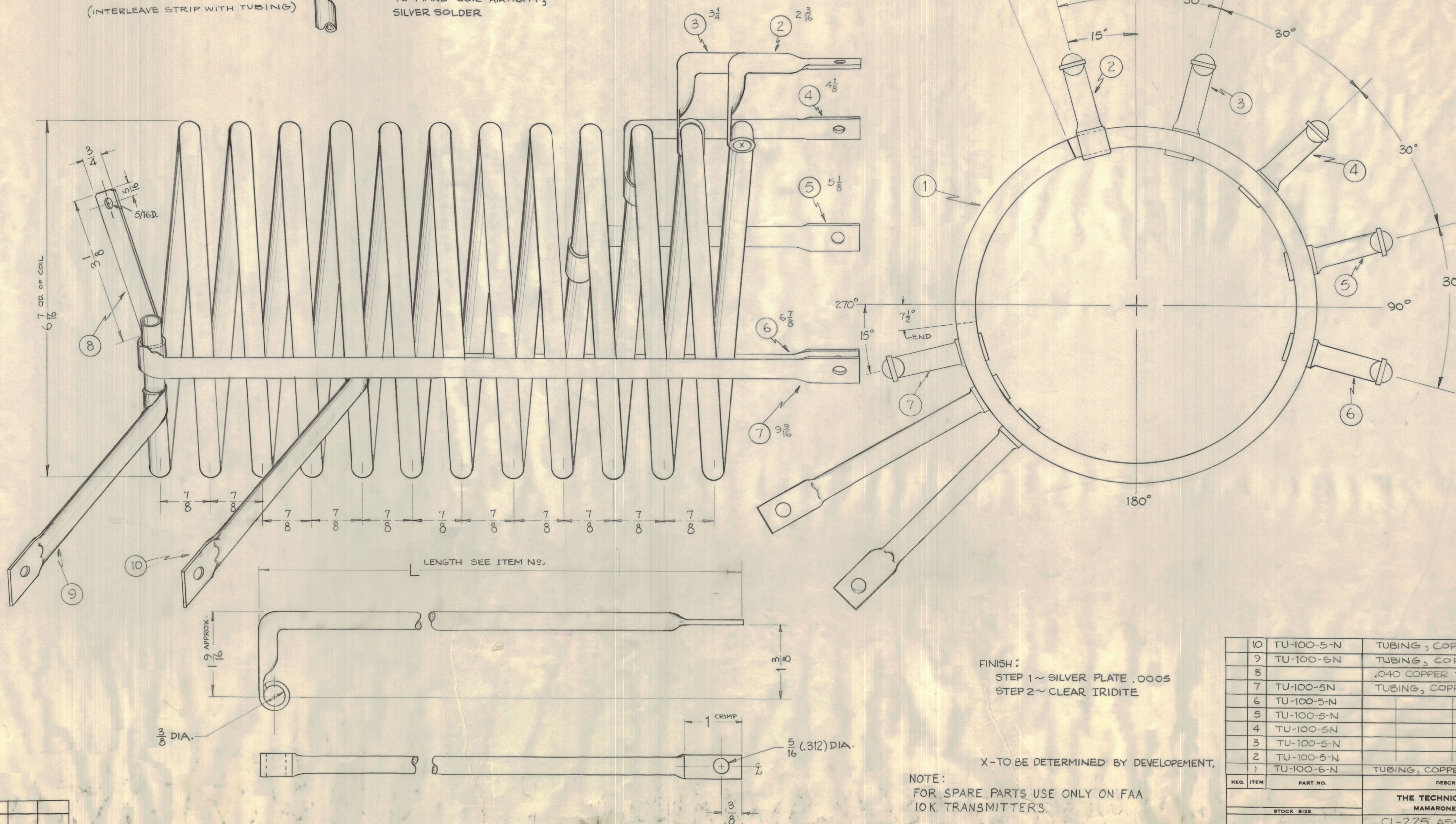
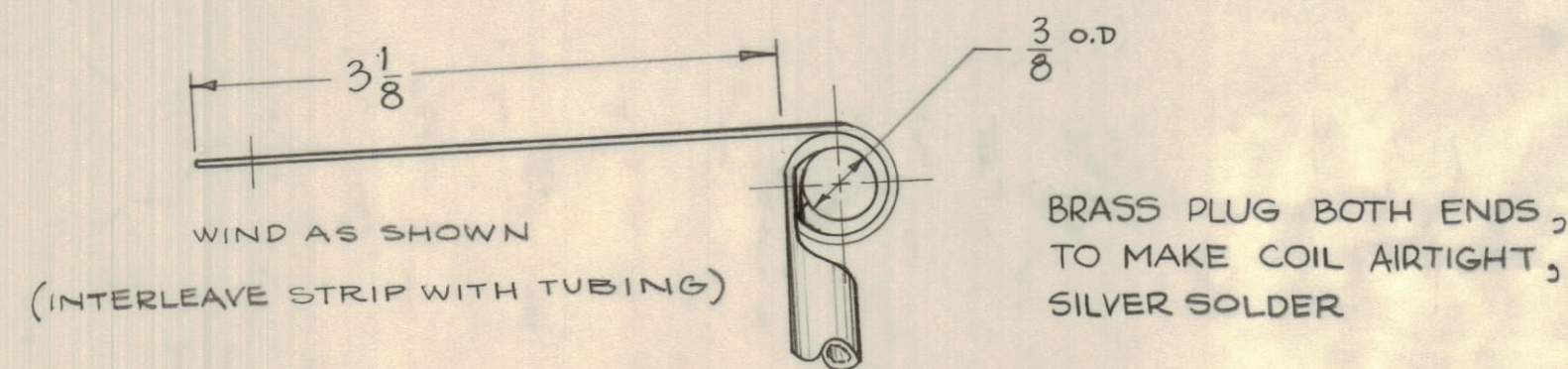


NOTICE TO PERSONS RECEIVING THIS DRAWING

THE TECHNICAL MATERIEL CORPORATION claims proprietary right in the material disclosed herein. This drawing is issued in confidence for engineering information only and may not be reproduced or used to manufacture anything shown hereon without permission from THE TECHNICAL MATERIEL CORPORATION to the user. This drawing is loaned for mutual assistance and is subject to recall at any time.

Property of:
THE TECHNICAL MATERIEL CORPORATION
MAMARONECK, NEW YORK



FINISH:
STEP 1 ~ SILVER PLATE .0005
STEP 2 ~ CLEAR IRIDITE

X-TO BE DETERMINED BY DEVELOPMENT.

NOTE:
FOR SPARE PARTS USE ONLY ON FAA
10K TRANSMITTERS.

REQ. ITEM	PART NO.	DESCRIPTION	SYMBOL
10	TU-100-5-N	TUBING, COPPER	
9	TU-100-5-N	TUBING, COPPER	
8		.040 COPPER STRIP, (3/4 WIDE)	
7	TU-100-5-N	TUBING, COPPER	
6	TU-100-5-N		
5	TU-100-5-N		
4	TU-100-5-N		
3	TU-100-5-N		
2	TU-100-5-N	(5/16 O.D)	
1	TU-100-6-N	TUBING, COPPER (3/8 O.D)	

THE TECHNICAL MATERIEL CORP. MAMARONECK, NEW YORK			
CL-225 ASSEMBLY (FINAL RF COIL ASSY 2.8 MC)			
TYPE & TEMPER	DRAWN	ELEC. DES. APP.	MECH. DES. APP.
HEAT TREAT. SPEC.	CHECKED	FINAL APPROVAL	
FINISH & SPEC. NO. A-1852			

ISSUE NO.	DESCRIPTION	DATE	CH. NO.	DRAFTS	CHECKER	ENG. APP.
A 4	SPARE PARTS NOTE ADDED	12-14-60	3737			

DEC. DIM. ±	MAXIMUM ALLOWABLE TOLERANCES HAVE BEEN DETERMINED AND ANY DEVIATIONS WILL BE CAUSE FOR REJECTION. REMOVE ALL BURRS AND SHARP EDGES
FRAC. DIM. ±	
ANGULAR DIM. ±	

A-1852 A

A