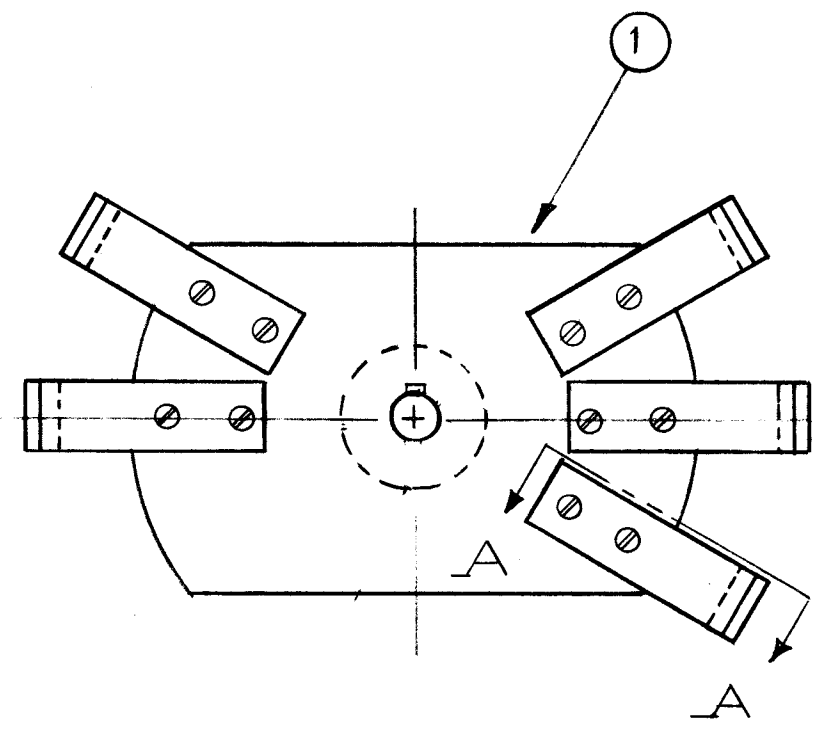
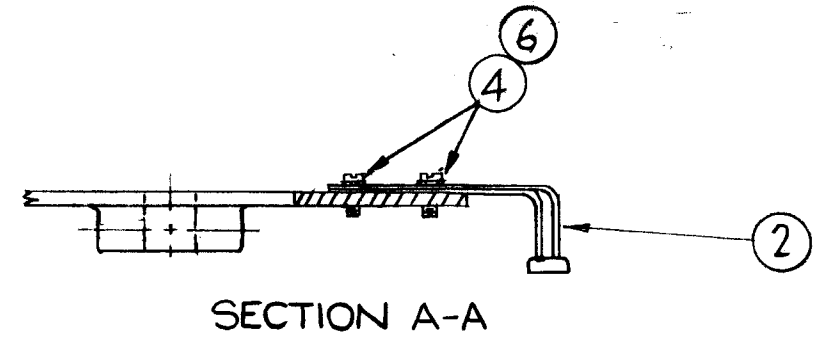


A 1849 D



10	6	LWE08MRN	LOCKWASHER, EXT.	
	5	DELETED		
10	4	SCBP083ZBN5	8-32 BINDER HD. SCREWS	
	3	DELETED		
5	2	AX-234	CONTACT ASS'Y	
1	1	PM-607	ROTOR	
REQ. ITEM	PART NO.	DESCRIPTION		SYMBOL
STOCK SIZE			THE TECHNICAL MATERIEL CORP. MAMARONECK, NEW YORK	
MATERIAL			AR-127 ASS'Y (ROTOR, ANTENNA TUNER)	
TYPE & TEMPER		HEAT TREAT. SPEC.	DRAWN	CHECKED
FINISH & SPEC. NO.		ELEC. DES. APP.	MECH. DES. APP.	A 1849 D

D		IT. 4 WAS SCBS083ZBN5	3-1-67	17872	RME	<i>CPB</i>	
C	2	ITEM 2 WAS A-1819-1	4/24/61	4750	<i>CPB</i>	<i>CPB</i>	
	1	DELETED ITEMS 3 & 5					
B	2	ITEM 6 ADDED	9/17/60	2511	CY	<i>CPB</i>	
	1	ITEM 4 WAS SCBS083ZBN5				<i>CPB</i>	
A	1	ITEM 5 ADDED ITEM 2 WAS A-1819-2	4/26/60	2198	CY	<i>CPB</i>	
ISSUE	ITEM	CHANGED FROM	DATE	CH. NO.	DRAFTS	CHECKER	ENG. APP.
TOLERANCES			SCALE: +				
DEC. DIM. ±			MAXIMUM ALLOWABLE TOLERANCES HAVE BEEN DETERMINED AND ANY DEVIATIONS WILL BE CAUSE FOR REJECTION.				
FRAC. DIM. ± 1/64			REMOVE ALL BURRS AND SHARP EDGES				
ANGULAR DIM. ±							
1		GPT-40K	AT-101			3-17-60	
REQ. PER UNIT		MODEL	PROJECT NO.	ASSY. NO.		DATE	
USED ON							