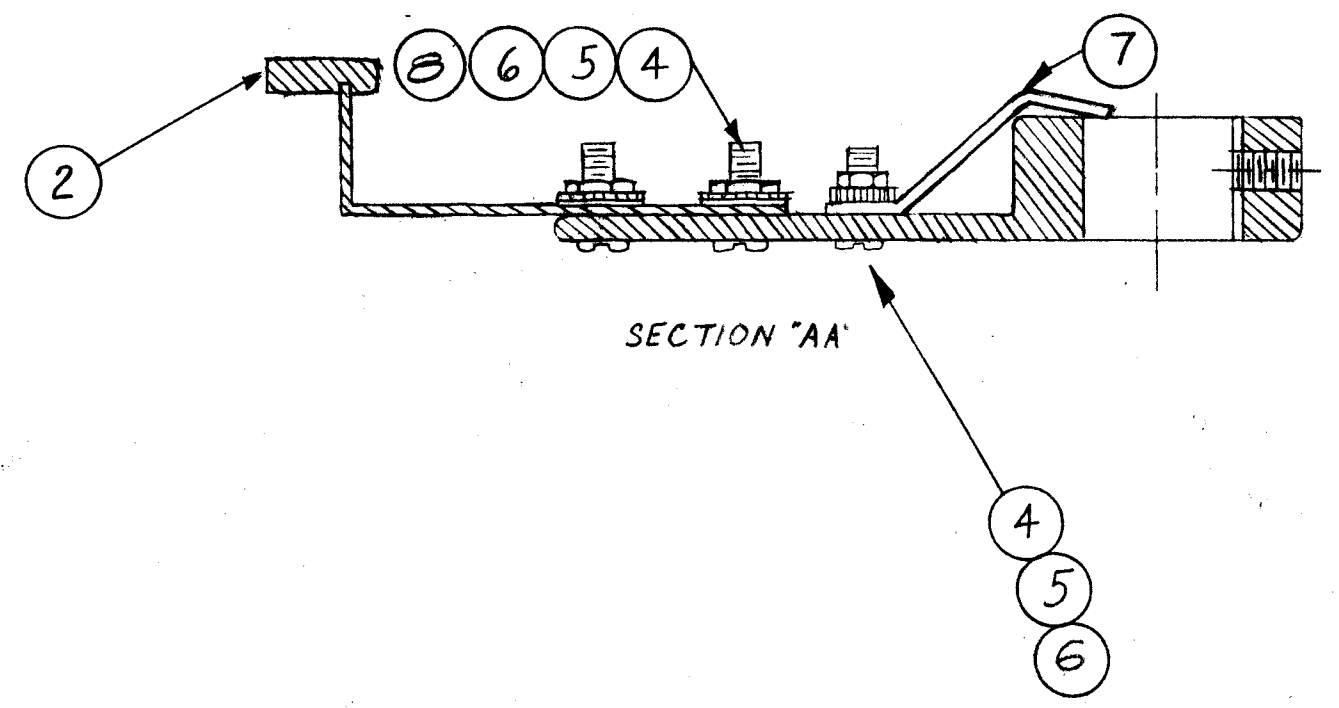
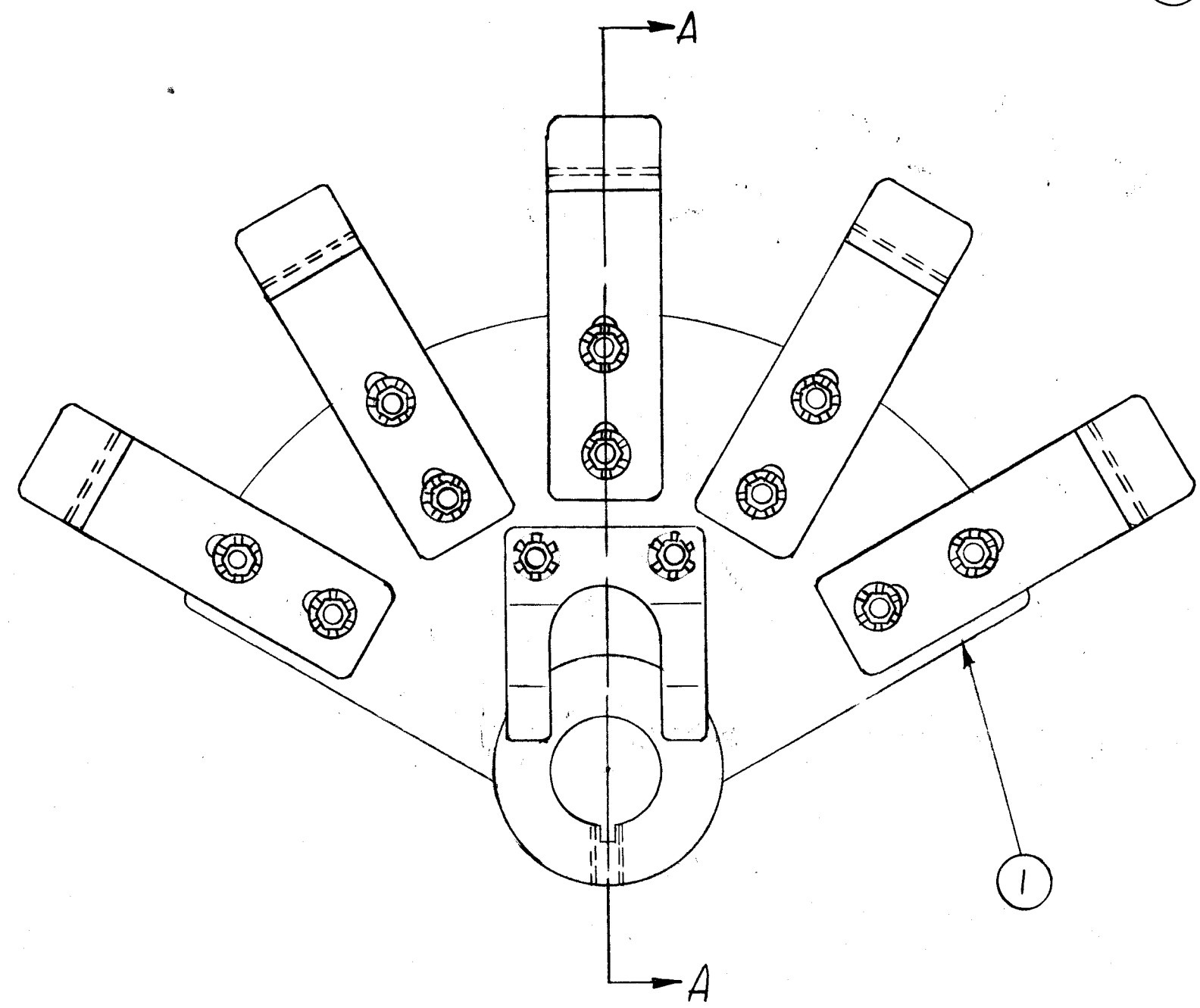


E
A-1848



NO LONGER USED
REPLACED BY A-2198
2-28 MC40K XMTRS,
BUT MAY BE USED FOR
SPARE PARTS ON 4-28MC
XMTRS

10	8	FW08MRN	WASHER, FLAT	
1	7	MS-457	SPRING CONTACT	
12	6	NTH0832BN8	NUT, PLN, HEX	
12	5	LWE08MRN	WASHER, LOCK, EXT	
12	4	SCBP0832BN6	SCREW, MACHINE	
	3			
5	2	A-1819	SHOE CONTACT ASS'Y	
1	1	PM-592	ROTOR PLATE	
REQ. ITEM		PART NO.	DESCRIPTION	SYMBOL
			THE TECHNICAL MATERIEL CORP. MAMARONECK, NEW YORK	
			AR-126 ASSEMBLY (ROTOR ASS'Y OUTPUT SWITCH)	
			DRAWN	CHECKED
			FINAL APPROVAL	
			A-1848	
			E	

E		REV & CLARIFIED PICT.	10-25-67	18567	HCA	FB	
D	1	NO LONGER USED "NOTE ADD.	11-8-61	5914	G.D.L.		
C	1	Item 7 was MS-2194	6-1-61	4994	ES		
B	1	DELETED ITEM #7 from A-1819-2	9/8/60	2918	DM		
A	1	REDRAWN & REVISED	6-20-60	2512	FB		
ISSUE	ITEM	CHANGED FROM	DATE	CH. NO.	DRAFTS	CHECKER	ENG. APP.
TOLERANCES			SCALE:				
DEC. DIM. ±			MAXIMUM ALLOWABLE TOLERANCES HAVE BEEN DETERMINED AND ANY DEVIATIONS WILL BE CAUSE FOR REJECTION.				
FRAC. DIM. ±			REMOVE ALL BURRS AND SHARP EDGES				
ANGULAR DIM. ±							
1		GPT-40K	AX-209			6-17-60	
REQ. PER UNIT		MODEL	PROJECT NO.	ASS'Y. NO.		DATE	
USED ON							
FINISH & SPEC. NO.			ELEC. DES. APP.		MECH. DES. APP.		