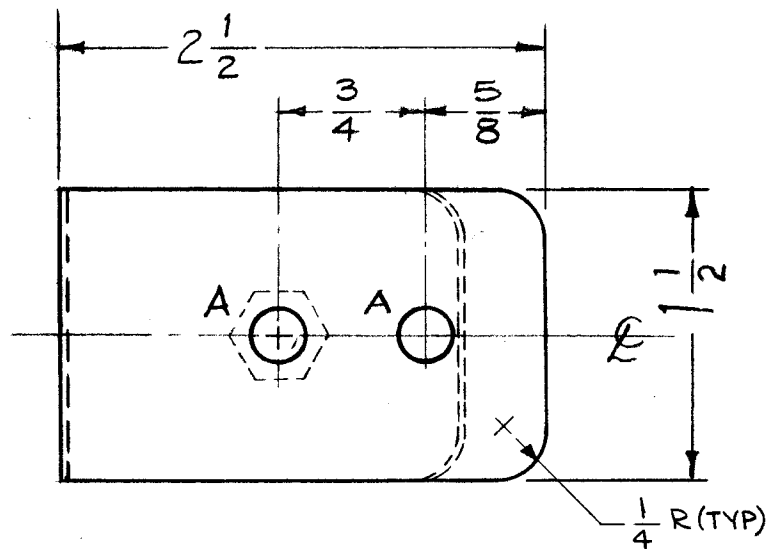
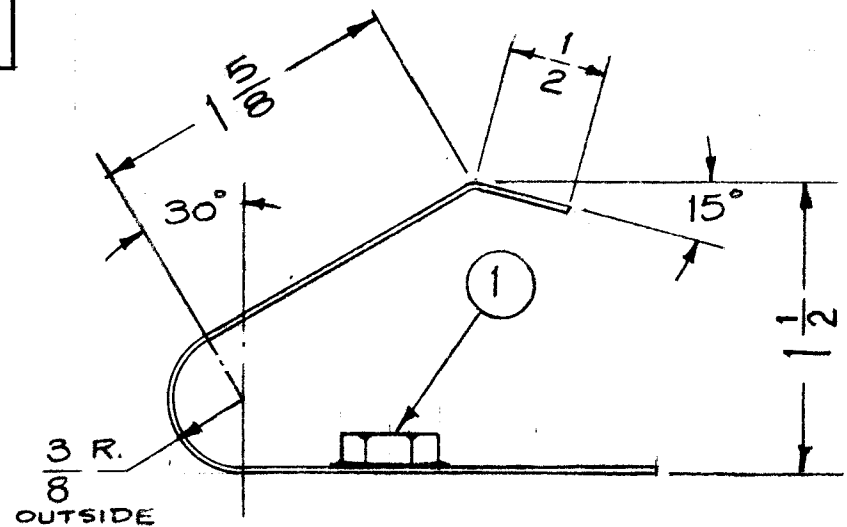
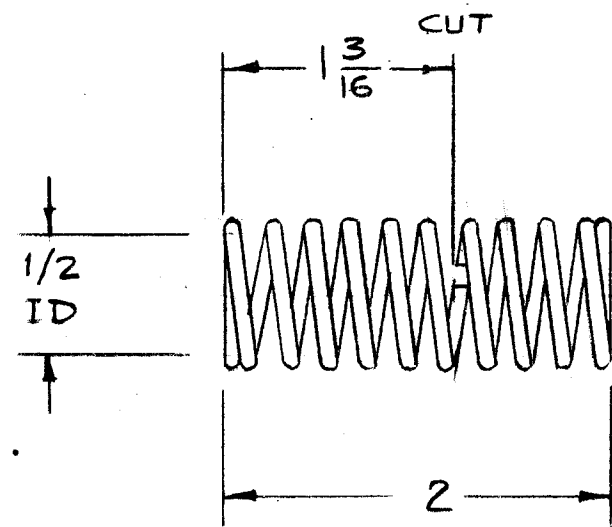


A 1847 D

A - $\frac{9}{32}$ (.281) D. Z Req.

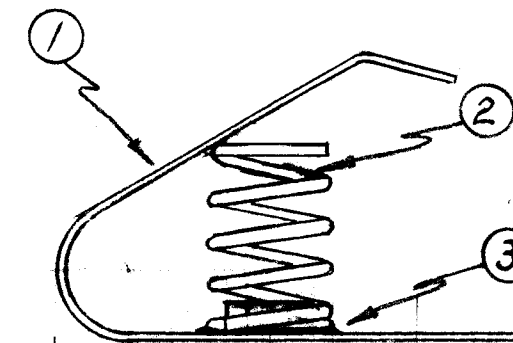


MATERIAL - .040 Beryllium Copper
Half Hard
CONTACT, SPRING
1 Req.



CUT AS SHOWN & USE the $1\frac{3}{16}$ Long end.

TMC PART NO. SP-127-1 Modified As Shown
SPRING
1 Req.



Finish (After Assy.) Rhodium Plate, .000025

ASSEMBLY

X	3	BS-101-1	SOLDER, SILVER	
1	2	SP-127-1	Modified as shown	
1	1	SM-107-51	Nut, Insert (10-32)	
REQ. ITEM	PART NO.		DESCRIPTION	SYMBOL
As Shown			THE TECHNICAL MATERIEL CORP.	
STOCK SIZE			MAMARONECK, NEW YORK	
As Shown			AX-221 ASS'Y.	
MATERIAL			(CONTACT, SPRING, 1 1/2")	
		16 3/12/60	Checked	Approved
TYPE & TEMPER	HEAT TREAT. SPEC.	DRAWN	CHECKED	FINAL APPROVAL
See Ass'y.				A 1847 D
FINISH & SPEC. NO.		ELEC. DES. APP.	MECH. DES. APP.	

D	IT. 3 WAS BS100	3-7-67	17885	L.A.K.		
C	1 SPRING WAS DEFORMED	2-16-66	15805	MOS		
B	2 PICTORIAL UPDATED	12/23/63	10630			
A	1 1/4 R (TYP) ADDED	8/15/60				
A	1 (1) ONE 'A' hole added					
A	1 'B' hole Deleted					
ISSUE ITEM	CHANGED FROM	DATE	CH. NO.	DRAFTS	CHECKER	ENG. APP.

TOLERANCES		SCALE: (Do Not Scale)	
DEC. DIM. ±		MAXIMUM ALLOWABLE TOLERANCES HAVE BEEN DETERMINED AND ANY DEVIATIONS WILL BE CAUSE FOR REJECTION. REMOVE ALL BURRS AND SHARP EDGES	
FRAC. DIM. ± 1/64		1	AP-103 GPT-40K 3-12-60
ANGULAR DIM. ±		2	AT-101 GPT-40K 3-12-60
		REQ. PER UNIT	MODEL PROJECT NO. ASS'Y. NO. DATE
			USED ON