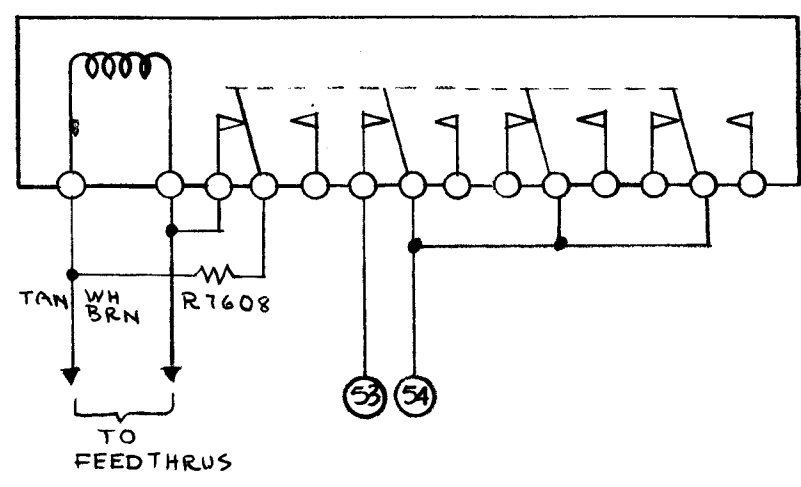
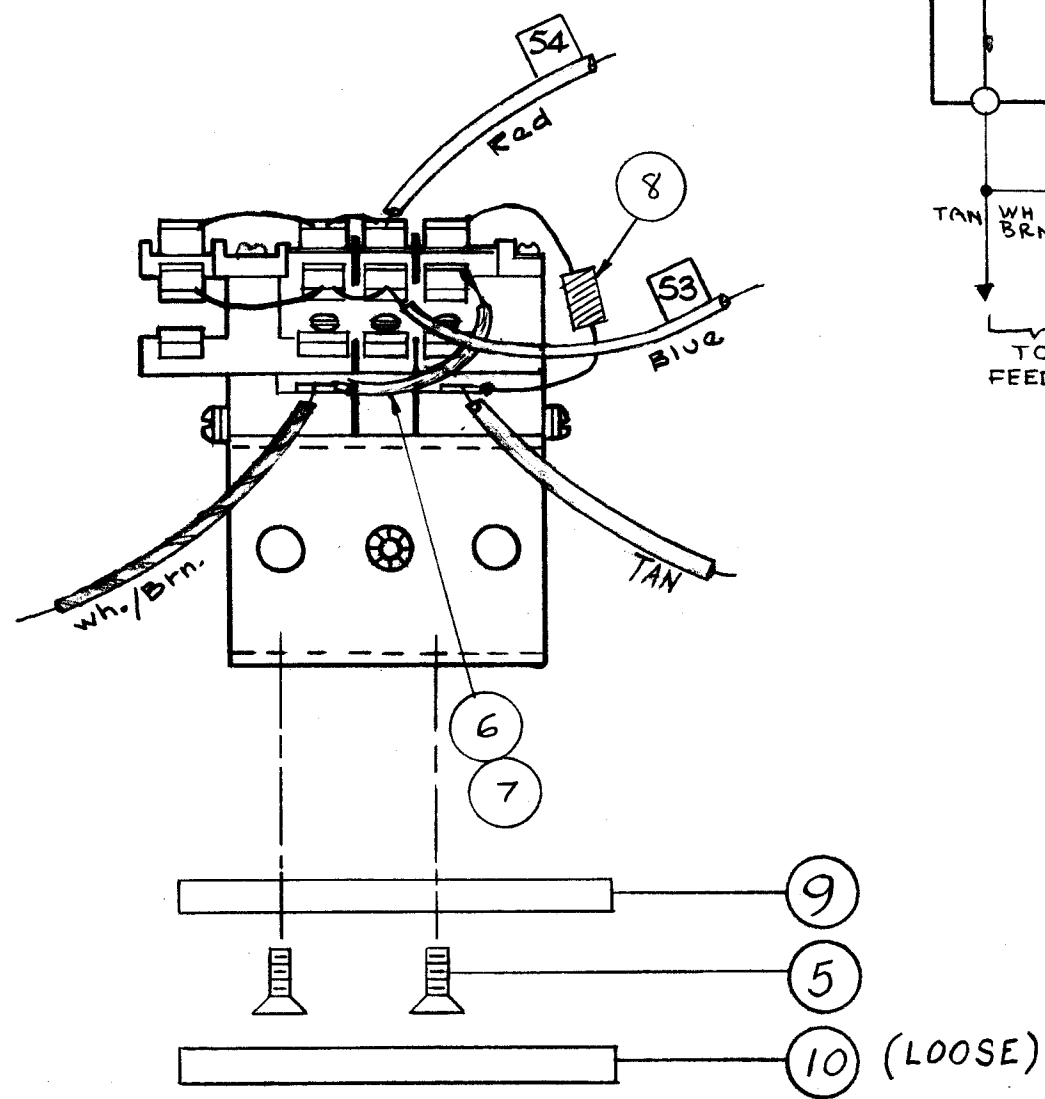


A-1836 D



1	10	PX-572	INSULATOR	
1	9	PX-574	INSULATOR	
1	8	AR-128	SHUNT RESISTOR	R7608
X	7	PX-100-1-.034	INSULATION SLEEVING	
X	6	WL-100-6	WIRE, BUSS #20	
4	5	SCFP0632BN5	SCREW MACHINE	
	4			
X	3	BS-100	SOLDER	
1	2	CA-530	CABLE	
1	1	RL-137	RELAY ARMATURE	
REQ. ITEM	PART NO.		DESCRIPTION	SYMBOL
			THE TECHNICAL MATERIEL CORP. MAMARONECK, NEW YORK	
			TUBE PROTECT RELAY ASS'Y (AR-124 ASS'Y)	
			MATERIAL	
		STOCK SIZE		
		TYPE & TEMPER		
		HEAT TREAT. SPEC.		
		DRAWN		
		CHECKED		
		FINISH & SPEC. NO.		
		ELEC. DES. APP.		
		MECH. DES. APP.		
		DATE		
		ASS'Y. NO.		
		PROJECT NO.		
		MODEL		
		GPT-40K		
		AR-124		
		USED ON		
		REQ. PER UNIT		
		1		
		DATE		
		2-25-60		
		FINAL APPROVAL		
		A-1836		
		D		

D	3	SEE EMN#10893	2-12-64	10893 AM.	T.R.		
C	1	TAGS 51 & 52 DELETED	1-4-63	7932			
B	2	ITEM 8 ADDED	6-14-60	2482			
B	1	ITEM 7 ADDED					
A	1	ITEM 51 WAS RED	4-13-60	2129			
ISSUE	ITEM	CHANGED FROM	DATE	CH. NO.	DRAFTS	CHECKER	ENG. APP.
TOLERANCES			SCALE:				
DEC. DIM. ±			MAXIMUM ALLOWABLE TOLERANCES HAVE BEEN DETERMINED AND ANY DEVIATIONS WILL BE CAUSE FOR REJECTION.				
FRAC. DIM. ±			REMOVE ALL BURRS AND SHARP EDGES				
ANGULAR DIM. ±							