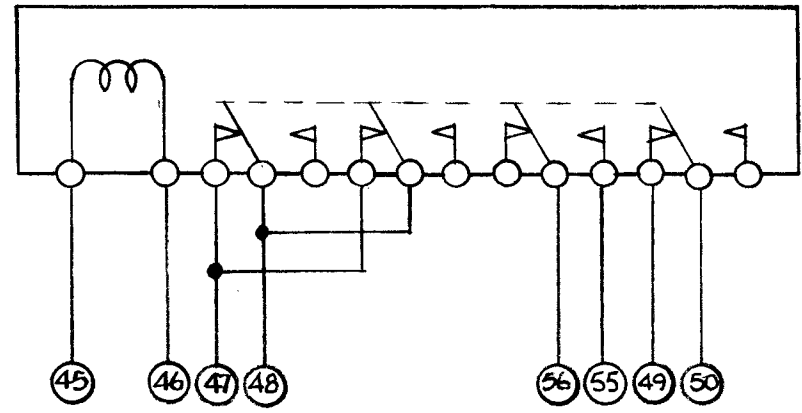
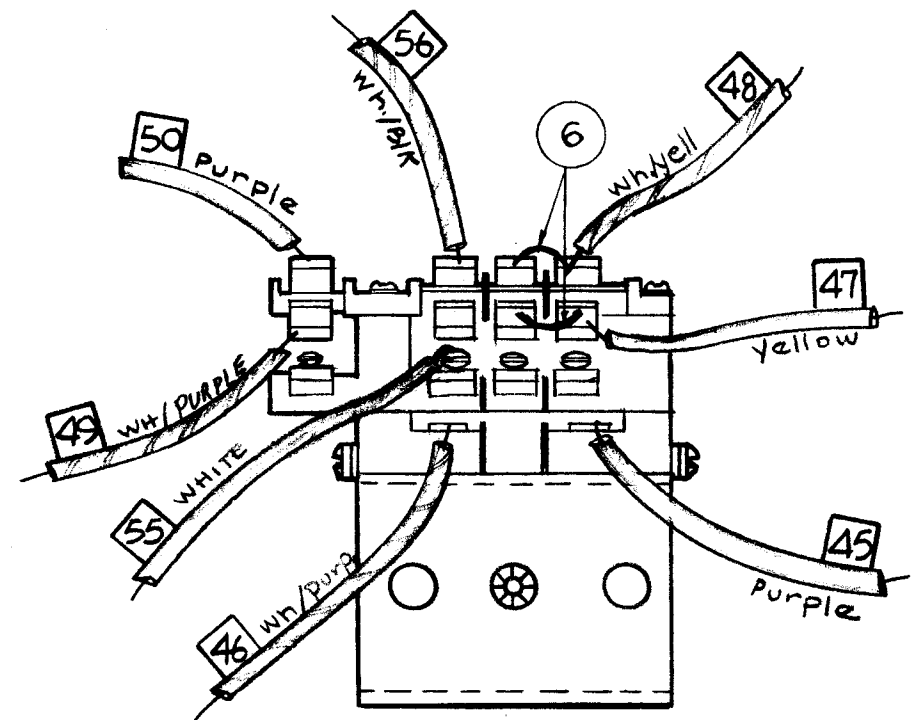


A 1835 C



X	6	WL 100-6	WIRE, BUSS, SIZE 20	
4	5	SCFP0632BNS	SCREW, MACHINE	
1	4	MS 2020	BOARD, RELAY MOUNT	
X	3	BS 100	SOLDER	
1	2	CA 529	CABLE	
1	1	RL 136	RELAY ARMATURE	

REQ. ITEM	PART NO.	DESCRIPTION	SYMBOL
<b>THE TECHNICAL MATERIEL CORP.</b>			
MAMARONECK, NEW YORK			
FINAL FILAMENT RELAY ASSY			
AR-125 ASSY.			
MATERIAL		DRAWN: <i>[Signature]</i> CHECKED: <i>[Signature]</i> FINAL APPROVAL: <i>[Signature]</i>	
TYPE & TEMPER	HEAT TREAT. SPEC.		
FINISH & SPEC. NO.			

ISSUE	ITEM	CHANGED FROM	DATE	CH. NO.	DRAFTS	CHECKER	ENG. APP.
C		RELOC. IT 55. IT. 5 WAS SCF50632BNS	3-1-67	17872	RME	<i>[Signature]</i>	
B	1	ITEM 6 ADDED	6-14-60	2484	cy	<i>[Signature]</i>	
A	1	ITEM 49 WAS WHITE	4-13-60	2130	mf	<i>[Signature]</i>	

1	GPT-40E	AR-125		2-25-60
REQ. PER UNIT	MODEL	PROJECT NO.	ASSY. NO.	DATE
USED ON				