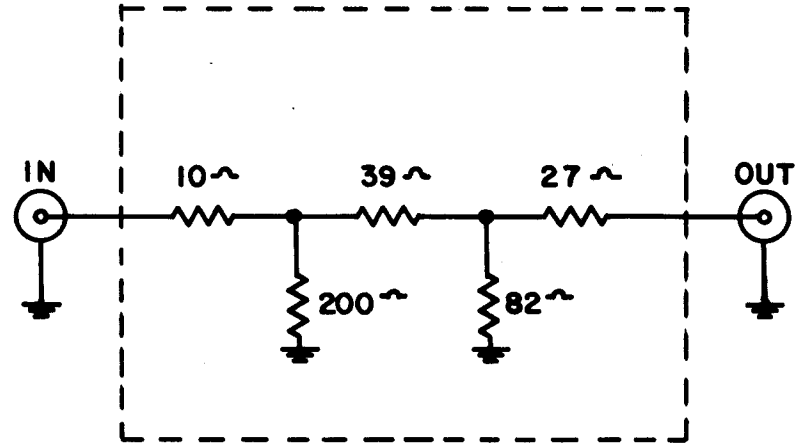
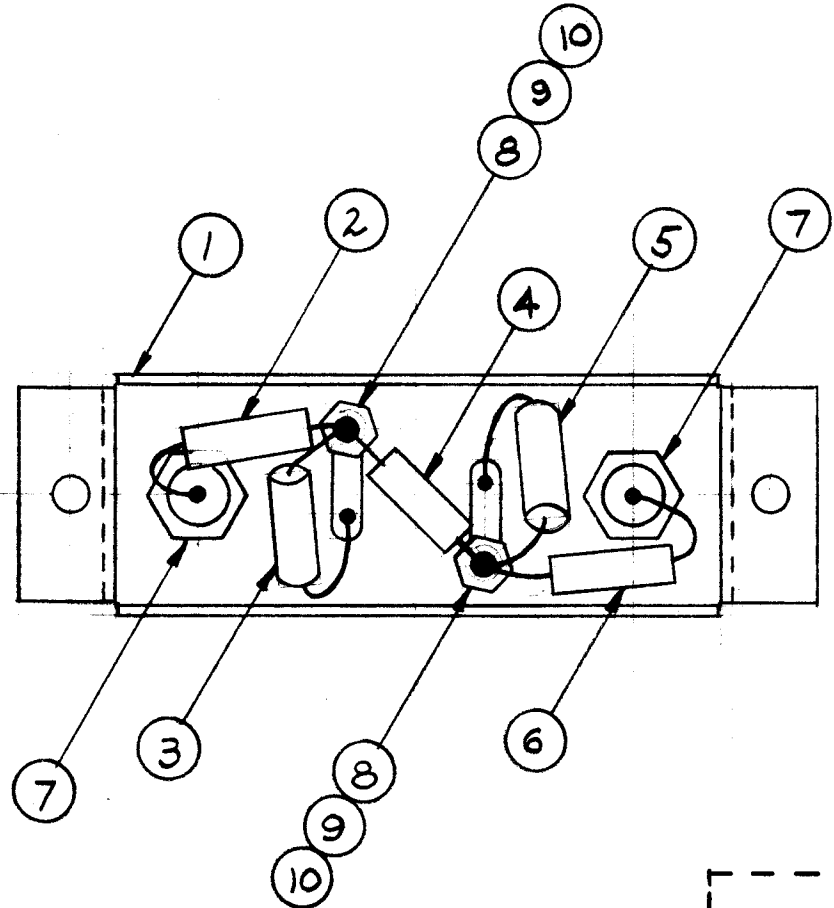


A-1824 A

NO LONGER REQ, ON SBT-1K
 USE A-2048 FOR RAK-11 & AX-239
 USE A-2049 FOR RAK-9 C&D



X	11	BS-100	SOLDER, SOFT
2	10	SCBS0440BN4	SCREW, MACHINE
2	9	TE-113-120	LUG, SOLDER
2	8	TE-102-2	STANDOFF INS. MICA.
2	7	UG-625/U	CONN. BNC
1	6	RC42GF100K	RESISTOR, FIXED 2W
1	5	RC42GF201K	
1	4	RC42GF890K	
1	3	RC42GF820K	
1	2	RC42GF270K	RESISTOR, FIXED 2W
1	1	MS-1927 (LD-65)	CHASSIS, ATTENUATOR

ISSUE	ITEM	CHANGED FROM	DATE	CH. NO.	DRAFTS	CHECKER	ENG. APP.
A	2	ITEM 10 WAS LB-652	1-25-61	3965	RU	<i>JOB</i>	<i>[Signature]</i>
	1	OBS. Note Added					

TOLERANCES: DEC. DIM. ±, FRAC. DIM. ±, ANGULAR DIM. ±

SCALE: MAXIMUM ALLOWABLE TOLERANCES HAVE BEEN DETERMINED AND ANY DEVIATIONS WILL BE CAUSE FOR REJECTION: REMOVE ALL BURRS AND SHARP EDGES

2 SBT-1K'C'D' 2-2-60

REQ. PER UNIT: MODEL, PROJECT NO., ASSY. NO., DATE

USED ON

REQ.	ITEM	PART NO.	DESCRIPTION	SYMBOL
THE TECHNICAL MATERIEL CORP. MAMARONECK, NEW YORK				
ATTENUATOR ASS'Y				
10db				
MATERIAL				
TYPE & TEMPER		HEAT TREAT. SPEC.	DRAWN	CHECKED
FINISH & SPEC. NO.		ELEC. DES. APP.	MECH. DES. APP.	

[Signature] P.A. *[Signature]*

A-1824 A