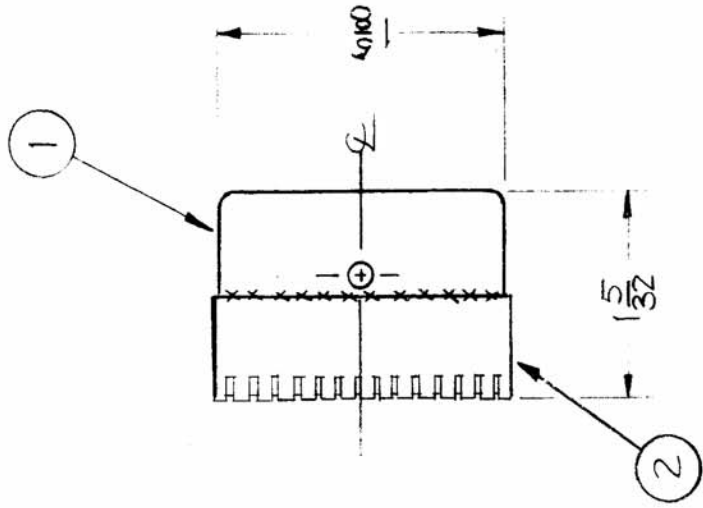
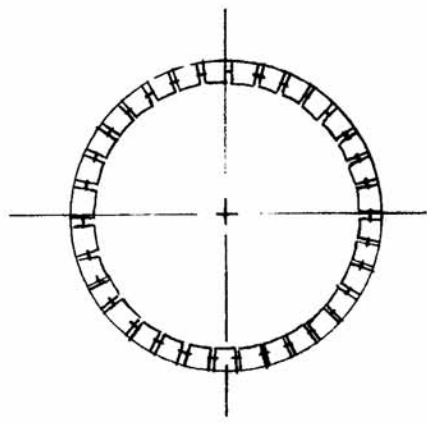


REQ. PER. UNIT: 2
 MODEL: SWR-3000CU
 ASS'Y. NO.: A-1806
 DATE: 11-16-57
 USED ON: A-1806 B



X	3	BS-100	SOLDER, SOFT	SYMBOL
1	2	FP-174-2	RING, CONTACT	
1	1	BX189	CAN, ROUND	
REQ. ITEM	PART NO.		DESCRIPTION	SYMBOL
THE TECHNICAL MATERIEL CORP.				
MAMARONECK, NEW YORK				
CAN, ASSEMBLY				
TYPE & TEMPER		HEAT TREAT. SPEC.	DRAWN	CHECKED
S-245		SILVER PLATE	DAW	WLB
S423		CLEAR IRIDITE	ELEC. DES. APP. MECH. DES. APP.	
FINISH & SPEC. NO.		FINAL APPROVAL		
		A-1806 B		

DATE	CH. NO.	DRAFTS	CHECKER	ENG. APP.
2-18-63	8276	WLB	WLB	WLB
3-10-61	4371	WLB	WLB	WLB
SCALE:				
MAXIMUM ALLOWABLE TOLERANCES HAVE BEEN DETERMINED AND ANY DEVIATIONS WILL BE CAUSE FOR REJECTION. REMOVE ALL BURRS AND SHARP EDGES				
TOLERANCES				
DEC. DIM.	±			
FRAC. DIM.	±			
ANGULAR DIM.	±			