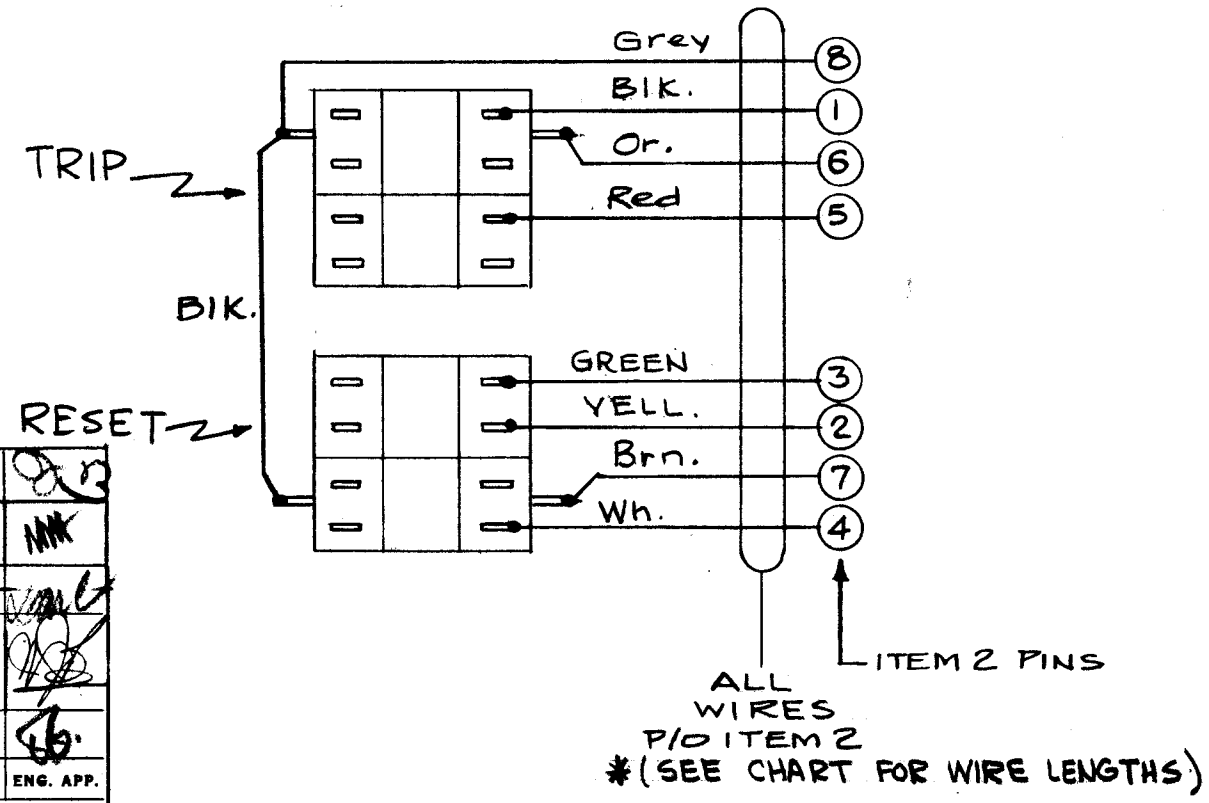


* WIRE LENGTHS (INCL STRIP)

BLACK	3-3/4"
BROWN	↑
RED	
ORANGE	↓
YELLOW	
GREEN	3-3/4"
WHITE	5'
GRAY	



ISSUE	ITEM	CHANGED FROM	DATE	CH. NO.	DRAFTS	CHECKER	ENG. APP.
E	2	WIRE LENGTH CHART ADDED	4-30-65	1396B			
	1	IT (3) WAS PX-100-1-375 (3")					
D	2	GREEN #3 WAS YELL #2	6-23-64	11633			
	1	YELL. #2 WAS GREEN #3					
C	1	Item 2 Was PL-184-2	11-27-61	5955			
B	4	PIN 6, Or. WAS PIN 7 Brn.	5/24/60	23	WJ	JCB	
	3	PIN 3, Grn WAS PIN 4 Wh.					
	2	PIN 7, Brn WAS PIN 6 Or.					
A	1	PIN 4, Wh. WAS PIN 3 Grn.	10/16/59	1438			
	1	Wire Colors Chgd As per PL-184-2					

REQ. ITEM	PART NO.	DESCRIPTION	SYMBOL
X 5	BS-100	Solder, Soft	
2 3/4 4	MWC22(7)UO	Cable, Insulated	BIK.
2" 3	PX-100-1-229	Sleeving, 1/4 I.D.	BIK.
1 2	PL-219-2	PLUG, 9 Pin Min, w/Leads	
1 1	RL-121-17A4A4	Relay, Armature (4PDT)	

THE TECHNICAL MATERIEL CORP.
MAMARONECK, NEW YORK

AR-115 ASS'Y.
(RELAY, TRIP)

TYPE & TEMPER	HEAT TREAT. SPEC.	DRAWN	CHECKED	FINAL APPROVAL
		16/12/59		AMB
FINISH & SPEC. NO.	ELEC. DES. APP.	MECH. DES. APP.	A-1782 E	

TOLERANCES

DEC. DIM. ±
FRAC. DIM. ±
ANGULAR DIM. ±

SCALE:

MAXIMUM ALLOWABLE TOLERANCES HAVE BEEN DETERMINED AND ANY DEVIATIONS WILL BE CAUSE FOR REJECTION. REMOVE ALL BURRS AND SHARP EDGES

1	MCU-2			
REQ. PER UNIT	MODEL	PROJECT NO.	ASS'Y. NO.	DATE
	USED ON			