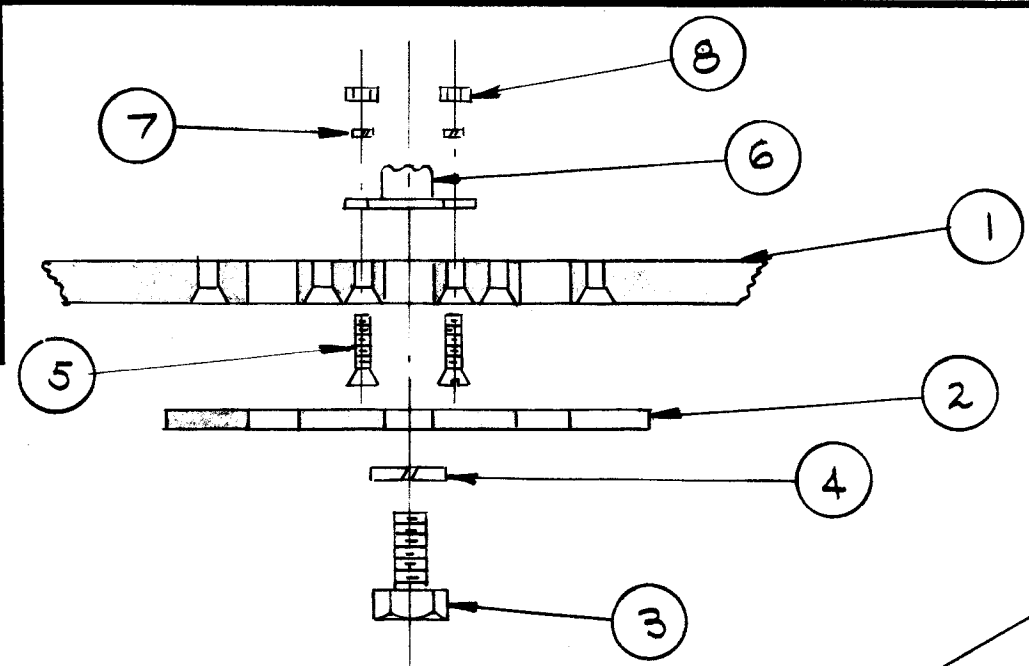
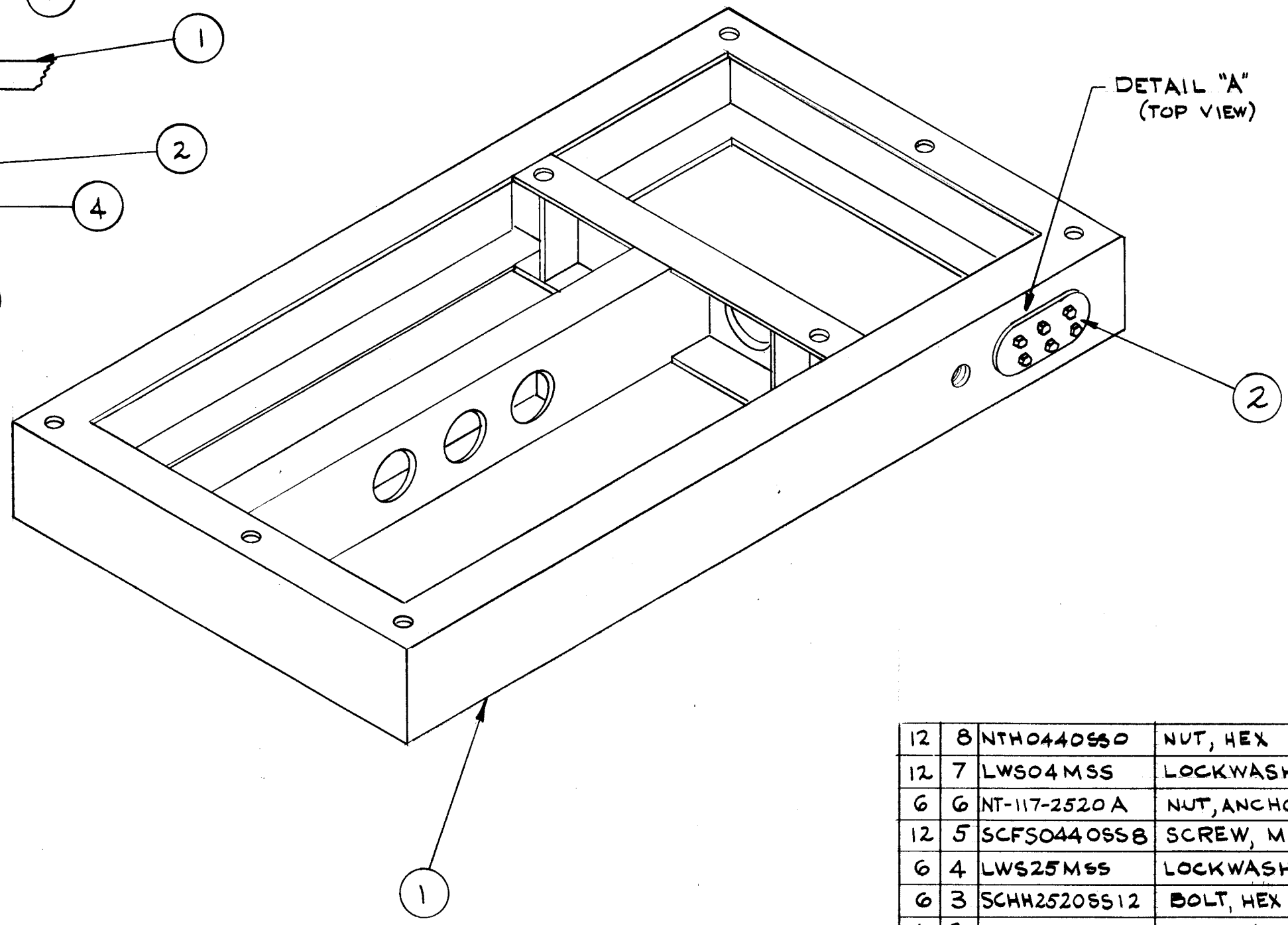


A-1763



DETAIL "A"  
EXTENDED VIEW

DETAIL "A"  
(TOP VIEW)



12	8	NTH0440SS0	NUT, HEX	
12	7	LWS04MSS	LOCKWASHER, SPLIT	
6	6	NT-117-2520A	NUT, ANCHOR	
12	5	SCFS0440SS8	SCREW, MACHINE	
6	4	LWS25MSS	LOCKWASHER, SPLIT	
6	3	SCHH2520SS12	BOLT, HEX HD.	
1	2	MS-1850-SU	COVER (UMBER COLOR)	
1	1	MS-1458-2	BASE (UMBER COLOR)	
REQ. ITEM	PART NO.		DESCRIPTION	SYMBOL
STOCK SIZE			THE TECHNICAL MATERIEL CORP. MAMARONECK, NEW YORK	
MATERIAL			(AX-193 ASS'Y) (BASE ASS'Y)	
TYPE & TEMPER		HEAT TREAT. SPEC.	DRAWN	CHECKED
FINISH & SPEC. NO.		ELEC. DES. APP.	MECH. DES. APP.	

ISSUE	ITEM	CHANGED FROM	DATE	CH. NO.	DRAFTS	CHECKER	ENG. APP.
TOLERANCES		SCALE:					
DEC. DIM. ±		MAXIMUM ALLOWABLE TOLERANCES HAVE BEEN DETERMINED AND ANY DEVIATIONS WILL BE CAUSE FOR REJECTION.					
FRAC. DIM. ±		REMOVE ALL BURRS AND SHARP EDGES					
ANGULAR DIM. ±							

1	AX-193	GPT-10K(D)		11-5-59
REQ. PER UNIT	MODEL	PROJECT NO.	ASS'Y. NO.	DATE
USED ON				

~~10/11/59~~ 11-6-59  
 16  
 28  
 A-1763