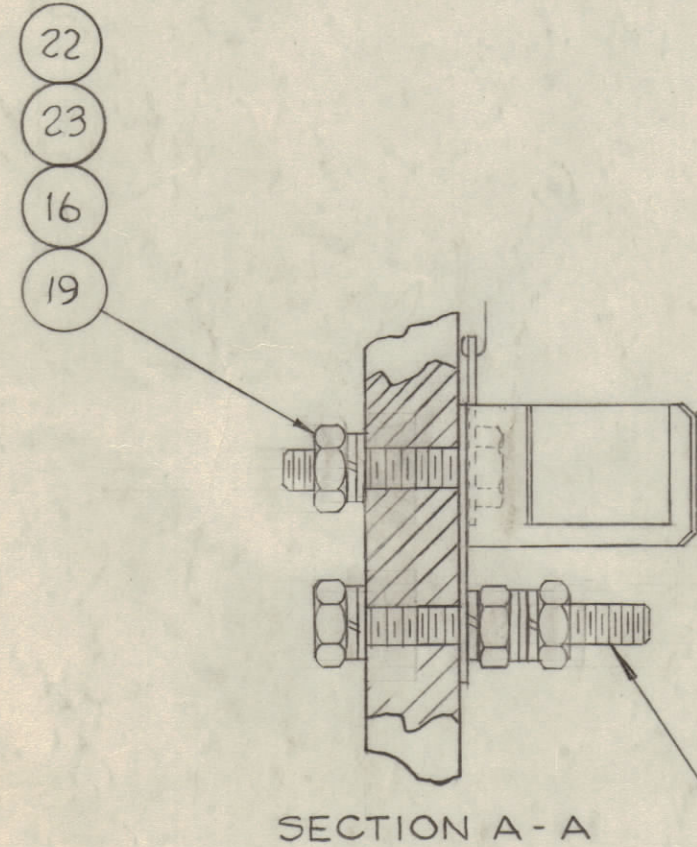
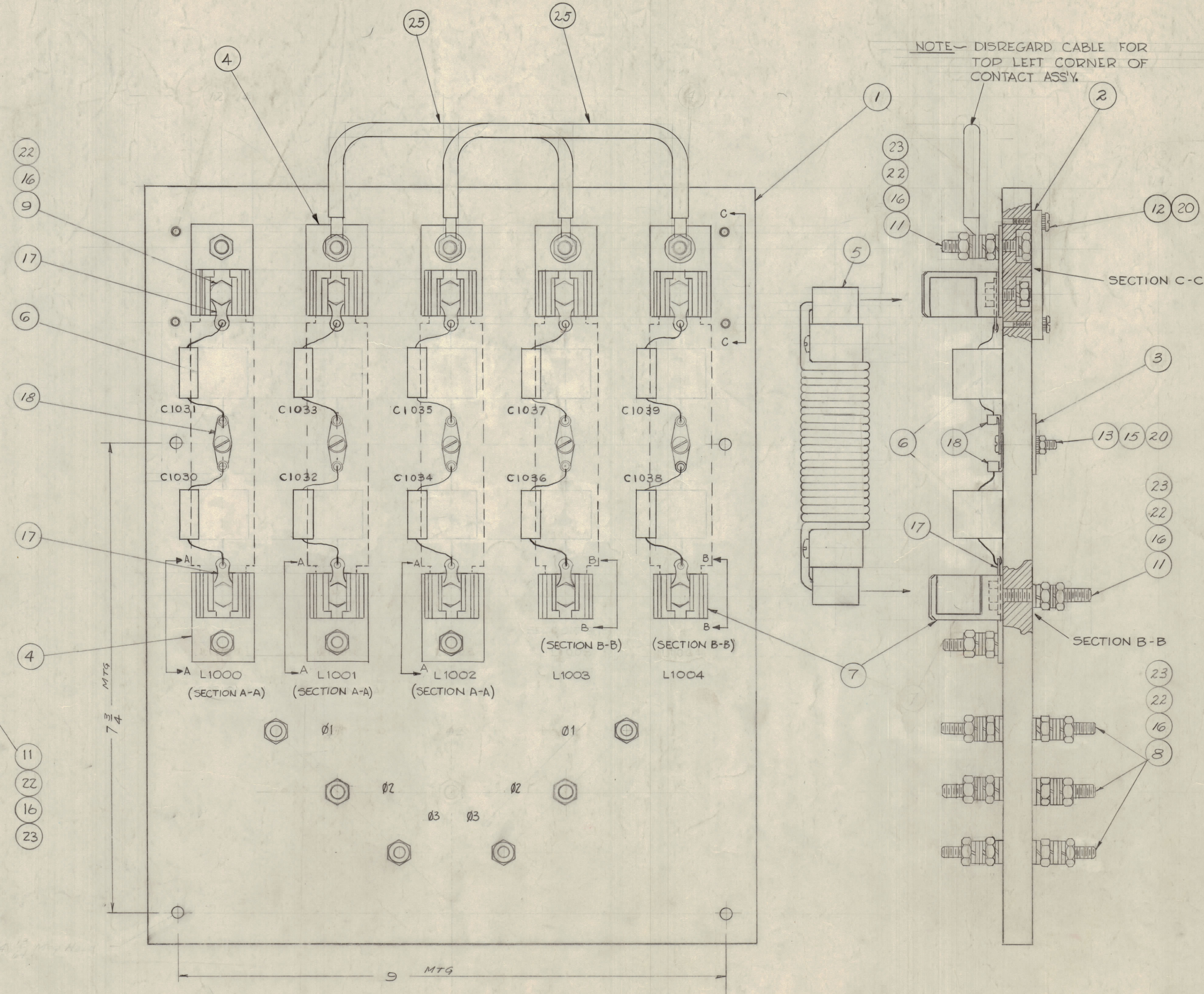


IF IT IS FOUND DESIRABLE TO CHANGE ANY TOLERANCE OR OTHER DETAIL SPECIFIED ON THIS DRAWING NOTIFY THE PURCHASER PROMPTLY.
 MAXIMUM ALLOWABLE TOLERANCES HAVE BEEN DETERMINED AND DEVIATIONS WILL BE CAUSE FOR REJECTION. REMOVE ALL BURRS AND SHARP EDGES

NOTICE TO PERSONS RECEIVING THIS DRAWING

THE TECHNICAL MATERIEL CORPORATION claims proprietary right in the material disclosed hereon. This drawing is issued in confidence or engineering information only and may not be reproduced or used to manufacture any thing shown hereon without permission from THE TECHNICAL MATERIEL CORPORATION to the user. This drawing is issued for mutual assistance and is subject to recall at any time.

Property of:
 THE TECHNICAL MATERIEL CORPORATION
 MAMARONECK, NEW YORK



SECTION A - A

NOTE - DISREGARD CABLE FOR TOP LEFT CORNER OF CONTACT ASS'Y.

SECTION C-C

SECTION B-B

REQ. ITEM	PART NO.	DESCRIPTION	SYMBOL
2	25	CA-409-335-00	JUMPER CABLE
X	24	B5-100	SOLDER, SOFT
67	23	FW25HBN	FLATWASHER
71	22	LW525MEN	LOCKWASHER, SPLIT
	21	DELETED	
9	20	LW25MKN	LOCKWASHER, EXT
3	19	SCH2520BN16	BOLT, MACHINE, HEX HEAD
10	18	TE-112-3	TERMINAL, LOCKING
10	17	TE-104-5	TERMINAL, LOCKING
52	16	NTH2520BN14	NUT, HEX.
	15	NTH2520BN10	NUT, HEX
	14	DELETED	
5	13	SCB52520BN14	SCREW, MACHINE
4	12	SCB52520BN10	SCREW, MACHINE
10	11	SCH2520BN24	BOLT, MACHINE, HEX HEAD
	10	DELETED	
5	9	SCH2520BN10	BOLT, MACHINE, HEX HEAD
6	8	SM2520BN250	STUD
10	7	FH-102	CLIP, FUSE
10	6	CM-100-G	CAPACITOR, FIXED, MICA
5	5	CL-155	COIL, FILTER
8	4	MS-1622	TERMINAL STRIP
1	3	MS-1623	STRAP, GROUND
1	2	PX-485	INSULATOR, BOARD
REF: LD-609	1	PX-486	TERMINAL BOARD

ISSUE	ITEM	CHANGED FROM	DATE	CN. NO.	DRAFTS	CHECKER	ENG. APP.
D	2	CM-100-6 WAS CM35B103K	10-23-53	10315	103	MH	LD
C	1	CAPACITORS RELOCATED	2-5-62	6212	118	LD	LD
B	1	DRAWING (HARDWARE) REVISED	8/17/60	5787	121	LD	LD
A	1	ADDED ITEM 24 - CA 409	10/28/59	1484	103	LD	LD
	2	ITEM 16 WAS (3) NUTS					
	3	ITEM 18 WAS (3) NUTS					
	4	ITEM 17 WAS DELETED					
	5	ITEM 9 WAS (1) NUT					
	6	ITEM 8 WAS (3) NUTS					
	7	ITEM 4 WAS (5) NUTS					

FORM-111
 ALL DEC DIM ±
 OTHERS FRAC DIM ±
 ANGULAR DIM ±

1	GPT-10K	AF-102	SECTION	ASS'Y. NO.	9-22-59	DATE
REQ PER UNIT	MODEL	SECTION	ASS'Y. NO.	DATE	DATE	DATE

THE TECHNICAL MATERIEL CORP.
 MAMARONECK, NEW YORK
 LINE FILTER ASS'Y.

TYPE & TEMPER

HEAT TREAT. SPEC.

FINISH & SPEC. NO.

DRAWN: [Signature]
 ELEC. DES. APP. [Signature]
 MECH. DES. APP. [Signature]
 CHECKED: [Signature]
 FINAL APPROVAL: [Signature]

A-1752

A-1752