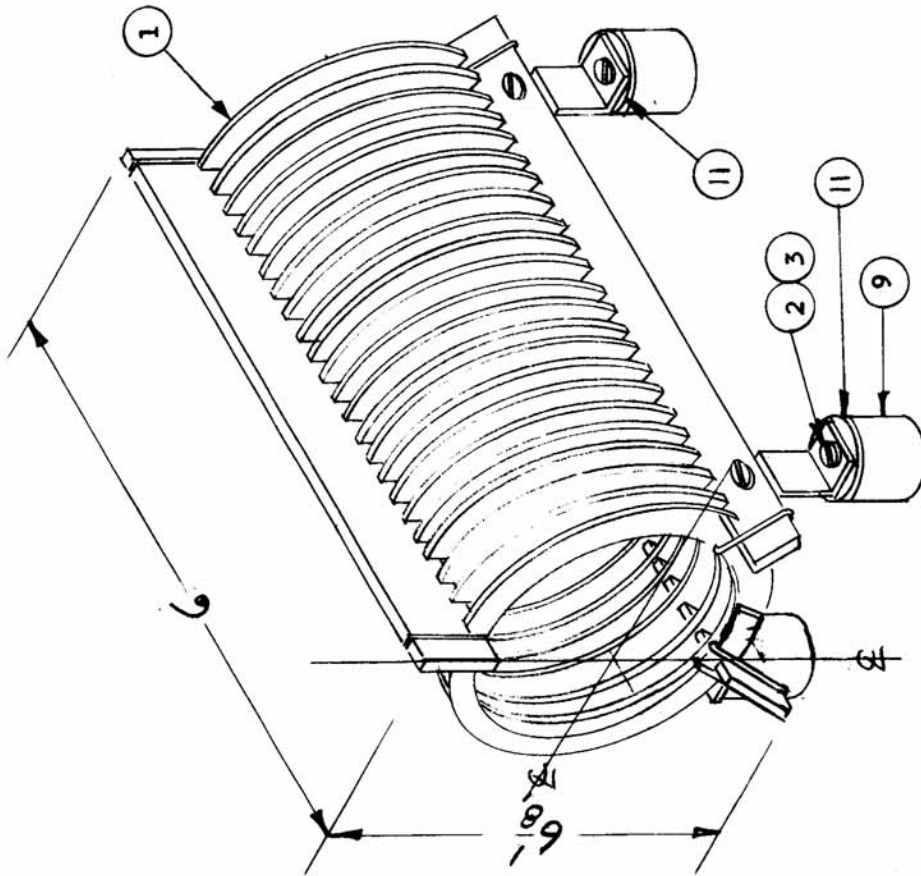


REQ. PER UNIT	MODEL	USED ON	DATE
1	TU-2 (L202)	ASSY. NO. ATS-2	A-1731

ELECTRICAL SPECS

Inductance - 20  $\mu$ h

Current - 5 amps.



REQ. ITEM	PART NO.	DESCRIPTION	SYMB L
4	11	WA-109-46	WASHER, FIBER
X	10	BS-100-1	Solder, Soft
4	9	NS3W020G	Insulator, Pillar, Round
	8		
	7		
	6		
	5		
	4		
4	3	LW508MRN	Lockwasher, Ext.
4	2	SCB00832BNS	Screw, Machine
1	1	CL-118-20	Coil, Fib, 20 $\mu$ h

THE TECHNICAL MATERIAL CORP.		MAMARONECK, NEW YORK	
AC-118-20		Y.	
STOCK SIZE		MATERIAL	
TYPE & TEMPER		HEAT TREAT. SPEC.	
FINISH & SPEC. NO.		ELEC. DES. APP. MECH. DES. APP.	
DRAWN		CHECKED	
7-6-59		A.D.	
Peter Allen		C.M.P.	
FINAL APPROVAL		A-1731	

ITEM 8, PERTAINING TO NOTES & DIM. DELE.	9/30/66	16953	W.H.	C.P.	P.B.
ADDED IT. 11	6/3/66	16320	C.H.	C.P.	P.B.
ISSUE ITEM	CHANGED FROM	DATE	CH. NO.	DRAFTS	CHECKER
SCALE:					
MAXIMUM ALLOWABLE TOLERANCES HAVE BEEN DETERMINED AND ANY DEVIATIONS WILL BE CAUSE FOR REJECTION. REMOVE ALL BURRS AND SHARP EDGES					
DEC. DIM. $\pm$					
FRAC. DIM. $\pm$					
ANGULAR DIM. $\pm$					