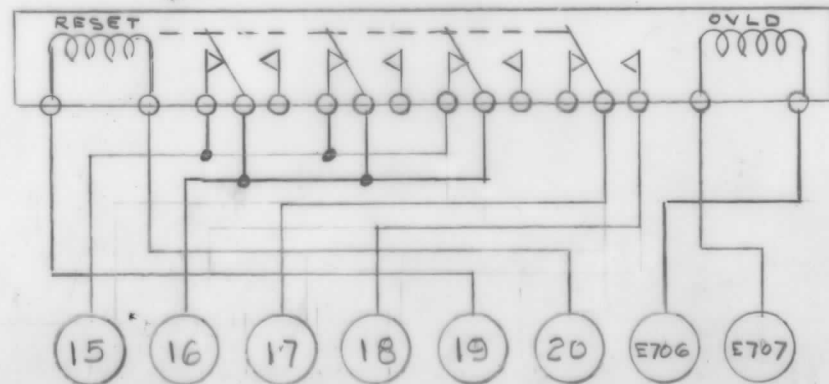
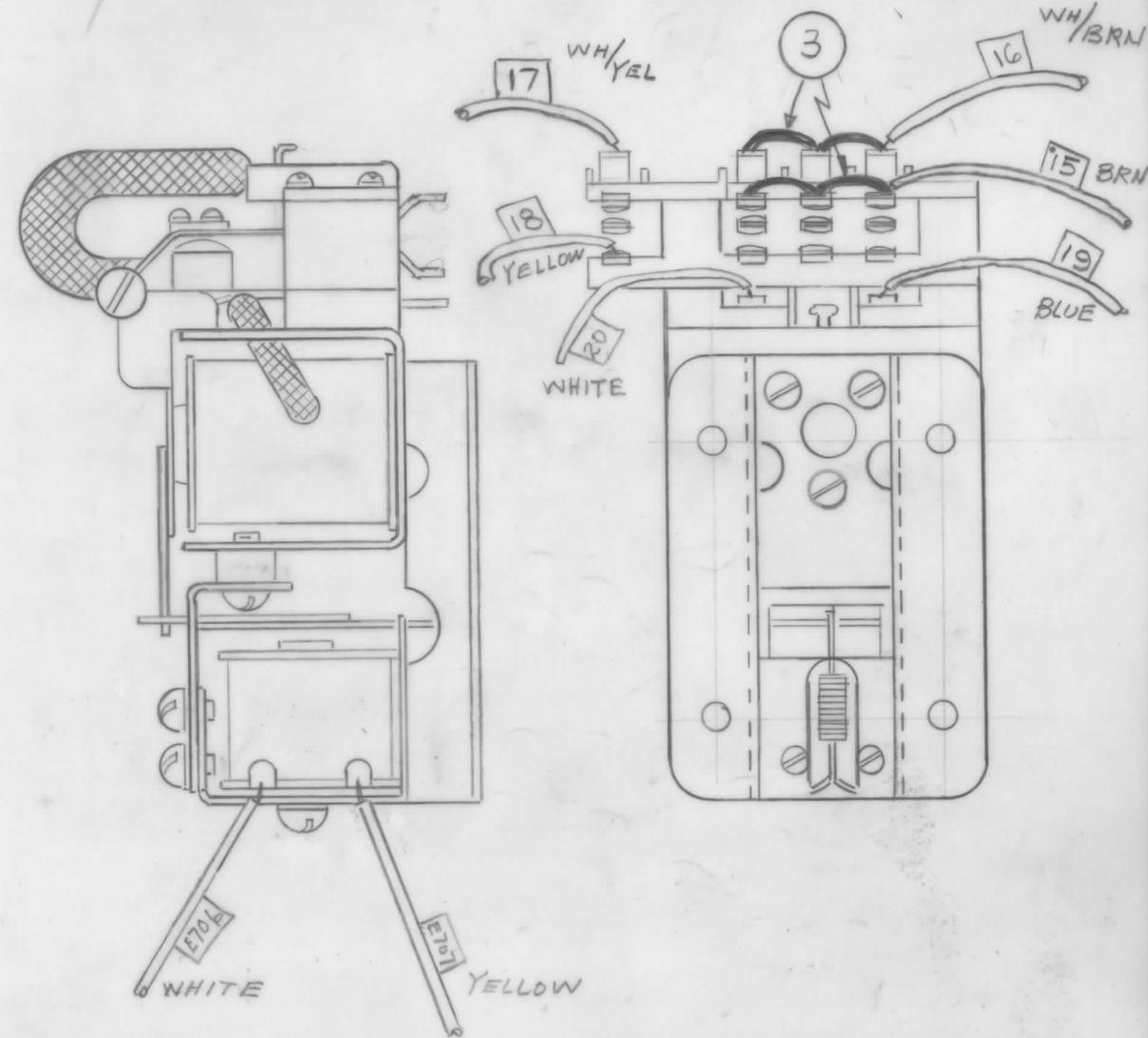


NO LONGER AVAILABLE
REPLACE BY A 5852



SHOWN
IN
RESET
POSITION

X	8	BS-100	SOLDER, SOFT
4	7	NTH0632BN8	NUT, HEX
4	6	LWEO6MRN	LOCKWASHER, EXT
4	5	SCBP0632BN5	SCREW, MACHINE
1	4	PX-456	BOARD, RELAY MTG.
X	3	WL-100-7	WIRE, BUSS (SIZE 22)
1	2	CA-442	CABLE, ASSY AR-108
1	1	RL-128	RELAY, ARMATURE

REQ. ITEM	PART NO.	DESCRIPTION	SYMBOL
THE TECHNICAL MATERIEL CORP. MAMARONECK, NEW YORK			
AR-108 ASS'Y. (K702)			
PA SCREEN OVLD RELAY ASS'Y			
MATERIAL		AVC	AND
TYPE & TEMPER	HEAT TREAT. SPEC.	DRAWN	CHECKED
FINISH & SPEC. NO.		ELEC. DES. APP. MECH. DES. APP.	

ISSUE	ITEM	CHANGED FROM	DATE	CH. NO.	DRAFTS	CHECKER	ENG. APP.
C		NOTE ADD	10-17-85	22110	GDL		
B		IT 5 WAS SCB50632BN5	10-24-66	170B4	WHO	82	
A	1	CLERICAL CHANGE	9.2.64	+	LOB	@	

TOLERANCES		SCALE:
DEC. DIM. ±	MAXIMUM ALLOWABLE TOLERANCES HAVE BEEN DETERMINED AND ANY DEVIATIONS WILL BE CAUSE FOR REJECTION.	
FRAC. DIM. ±	REMOVE ALL BURRS AND SHARP EDGES	
ANGULAR DIM. ±		

1	GPT-10K	AR-108	AR-161	8-24-64
REQ. PER UNIT	MODEL	PROJECT NO.	ASS'Y. NO.	DATE
USED ON				