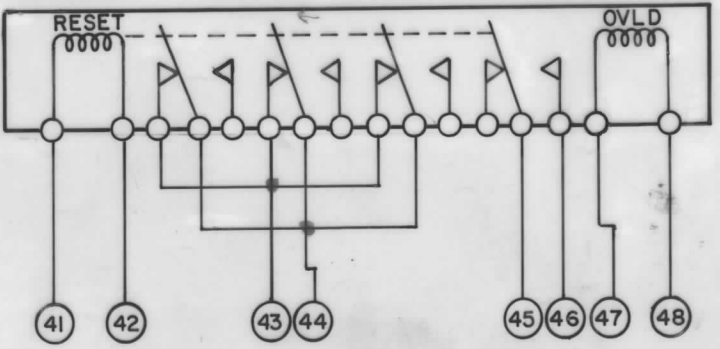
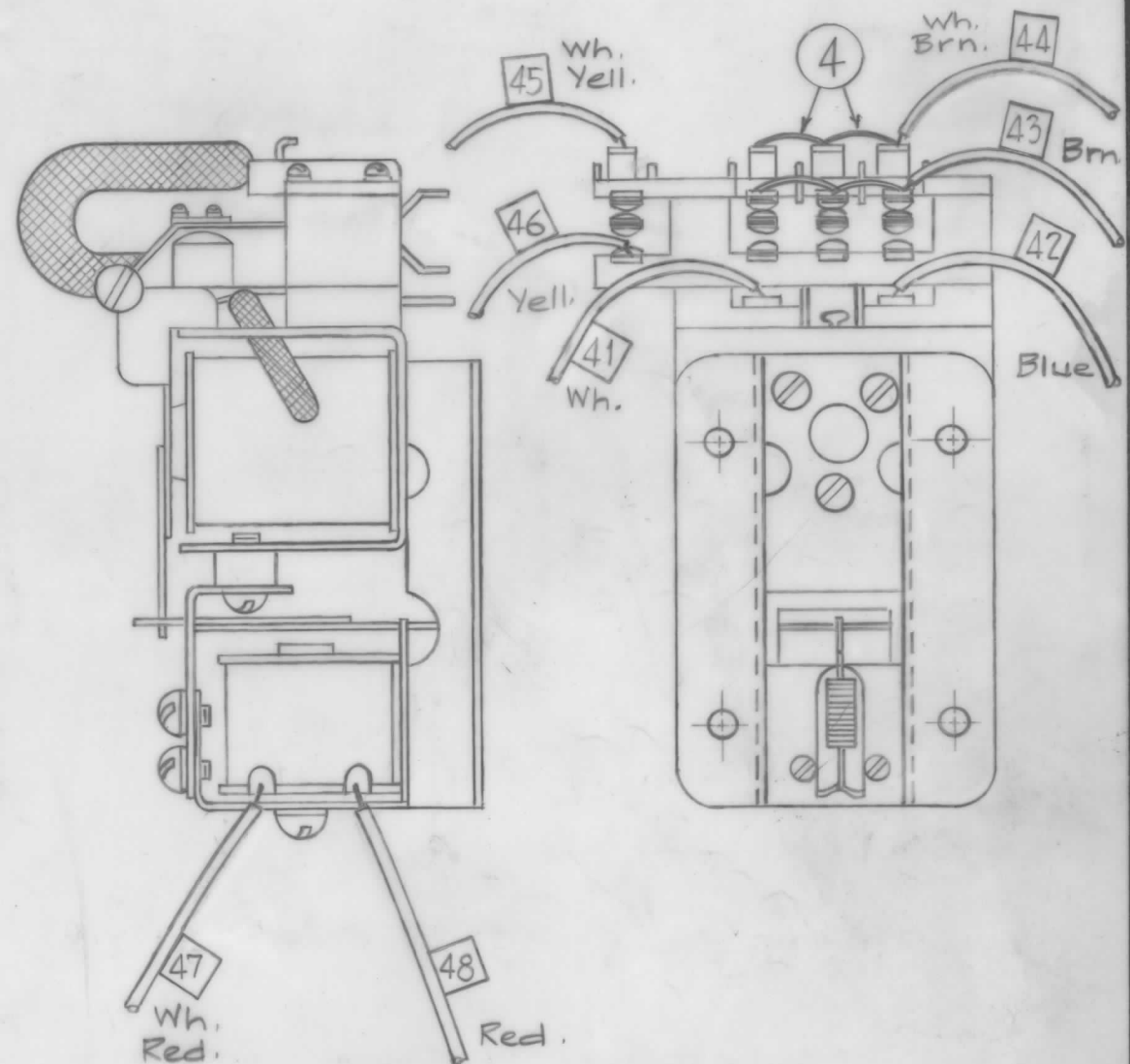


NO LONGER AVAILABLE
REPLACE BY A 5853



X	4	WL-100-7	WIRE, BUSS (SIZE 22)
X	3	BS-100	SOLDER, SOFT
I	2	CA-447	CABLE, ASSY - AR-107
I	1	RL-127	RELAY, ARMATURE

REQ. ITEM	PART NO.	DESCRIPTION	SYMBOL
THE TECHNICAL MATERIEL CORP. MAMARONECK, NEW YORK			
AR 107 - ASS'Y (K706)			
IPA SCREEN OVLD RELAY			
		J.C. BIELE	VB
TYPE & TEMPER		HEAT TREAT. SPEC.	DRAWN
			CHECKED
			FINAL APPROVAL
FINISH & SPEC. NO.		ELEC. DES. APP.	MECH. DES. APP.

B	NOTE ADD	10-17-8522110	G.DL	QD		
A	CLERICAL CHANGE	9.2.64	WB	Q		
ISSUE ITEM	CHANGED FROM	DATE	CH. NO.	DRAFTS	CHECKER	ENG. APP.
TOLERANCES		SCALE:				
DEC. DIM. ±		MAXIMUM ALLOWABLE TOLERANCES HAVE BEEN DETERMINED AND ANY DEVIATIONS WILL BE CAUSE FOR REJECTION. REMOVE ALL BURRS AND SHARP EDGES				
FRAC. DIM. ±						
ANGULAR DIM. ±						

I	GPT10K	AR-107	AR-161	8-24-64
REQ. PER UNIT	MODEL	PROJECT NO.	ASS'Y. NO.	DATE
USED ON				

A-1706 B