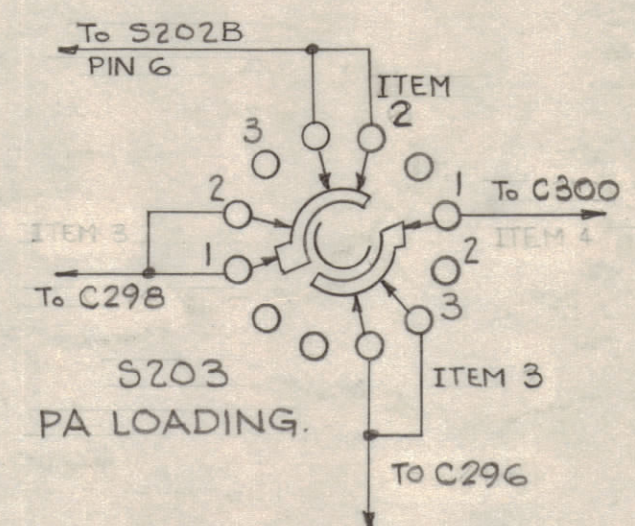
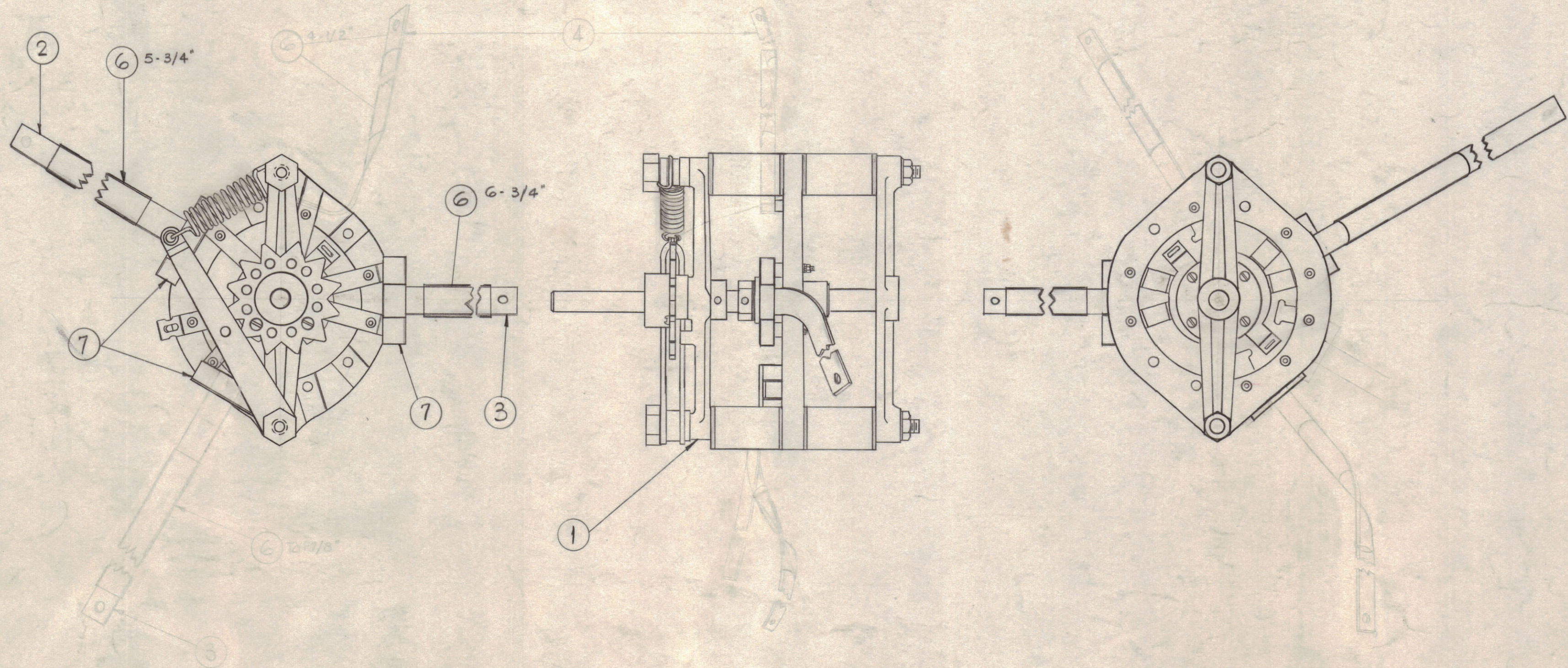


REVISIONS							
ZONE	SYM	DESCRIPTION	DATE	E.M.N. NO.	DRAFT	CHKD	APPD
#	A	REDRAWN & REVISED	11-19-62	7660			
#	B	EXTENSIVE CHGS ON BUILDUP (PART NOS)	11/20/62	10770			
#	C	REVISED B/M, PICTORIAL & SCHEMATIC	2-23-66	15829	HLA	YJP	QA



Notice to Persons Receiving This Drawing  
 THE TECHNICAL MATERIEL CORPORATION claims proprietary right in the material disclosed herein. This drawing is issued in confidence for engineering information only and may not be reproduced or used to manufacture anything shown herein without permission from THE TECHNICAL MATERIEL CORPORATION. This drawing is loaned for mutual assistance and is subject to recall at any time.  
 Property of:  
 THE TECHNICAL MATERIEL CORPORATION  
 MAMARONECK, NEW YORK

REQ'D.	ITEM	PART NUMBER	DESCRIPTION	SYMBOL
3	7	MS-203-1-1.50	LEAD, CONNECTING, 1/4" WIDE	
12"	6	PX-370-3-7	SLEEVING, TEFLON	NATURAL
	5	DELETED	LEAD, CONNECTING	
	4	DELETED	LEAD, CONNECTING	
1	3	MS-203-9-6.00	LEAD, CONNECTING	
1	2	MS-203-1-7.250	LEAD, CONNECTING	
1	1	SW-236	SWITCH, ROTARY, LOADING	

LIST OF MATERIAL  
 MATERIAL THE TECHNICAL MATERIEL CORP.  
 FINISH TITLE  
 MAMARONECK, NEW YORK  
 AS-101 ASSY (SWITCH ROTARY)

1	RFB-1	
1	RFD-1	
1	RFC-1	

QTY./UNIT MODEL USED ON ASSY. NO.  
 SCALE CODE  
 THE CONTENTS OF THIS DRAWING ARE THE EXCLUSIVE PROPERTY OF THE TECHNICAL MATERIEL CORP. ITS UNAUTHORIZED USE OR REPRODUCTION IN WHOLE OR IN PART IS STRICTLY FORBIDDEN.

UNLESS OTHERWISE SPECIFIED DIMENSIONS ARE IN INCHES AND INCLUDE CHEMICALLY APPLIED OR PLATED FINISHES	DRAWN	DATE	FINAL APPROVAL	DATE
DECIMALS .X ± .05 .XX ± .01 .XXX ± .005	FILE	11-19-62	HLA	11-20-62
FRACTIONS ± 1/64 ANGLES ± 0° 30'	CHECKED	DATE	DATE	DATE
TOLERANCES	ELECT. DES.	DATE	DATE	DATE
	MECH. DES.	DATE	DATE	DATE

NOTES

A-1621 C

A-1621 C