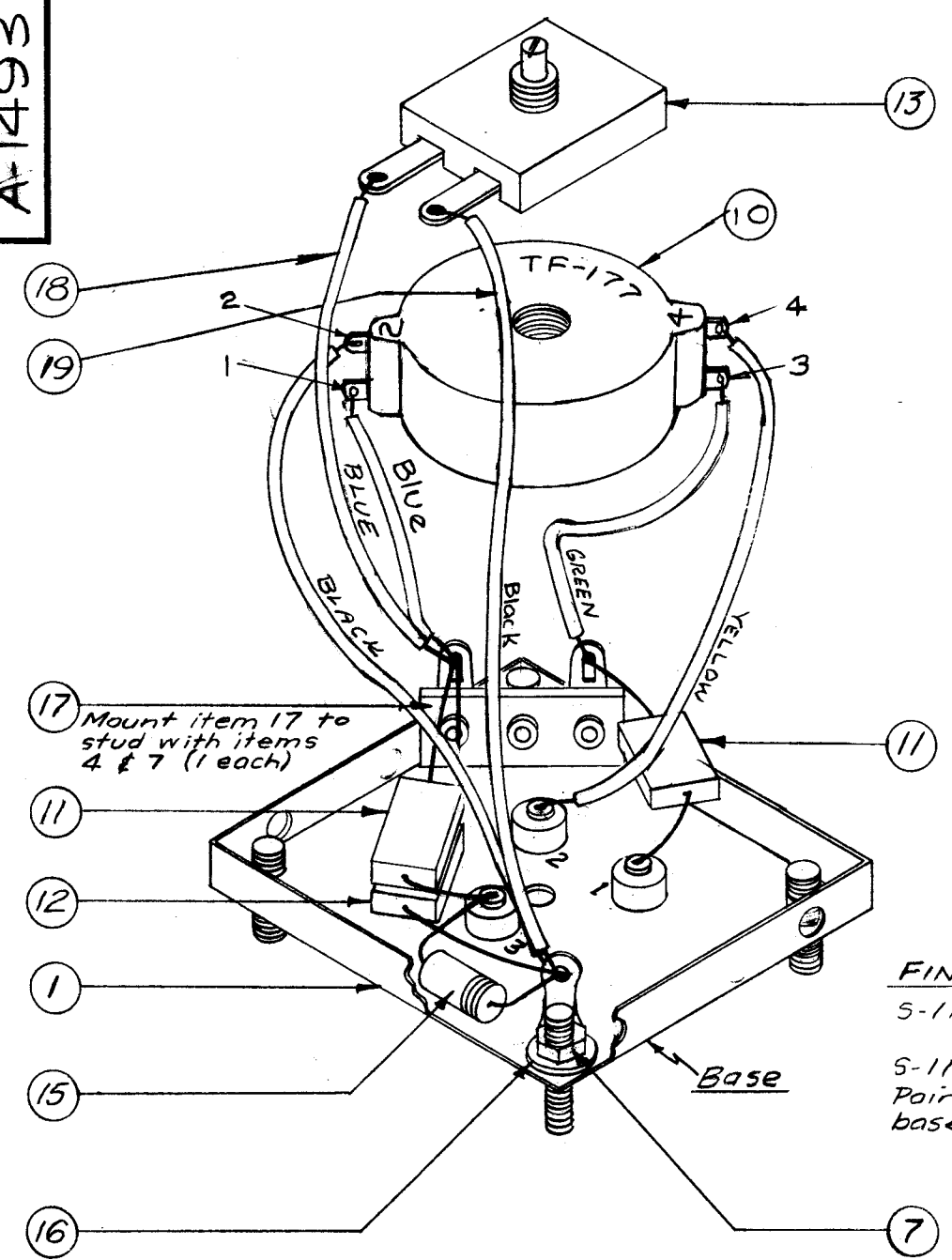
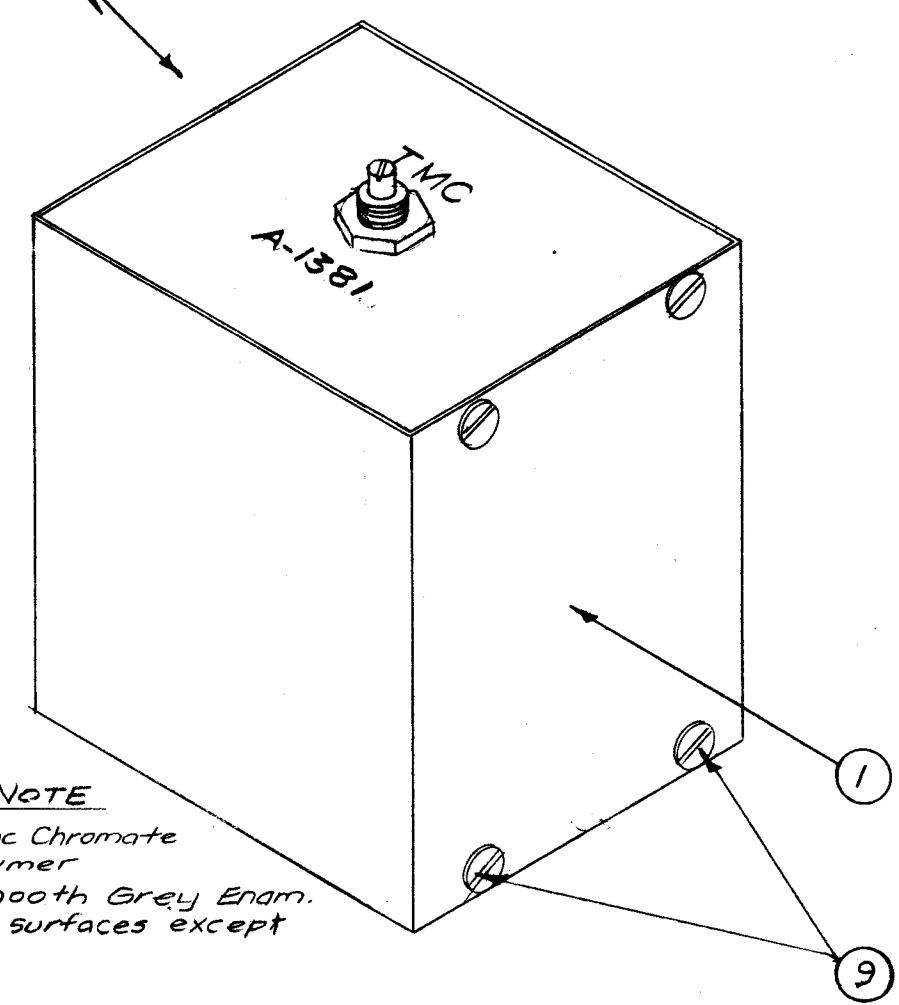


A-1493 D

See Detail "A" for Mounting

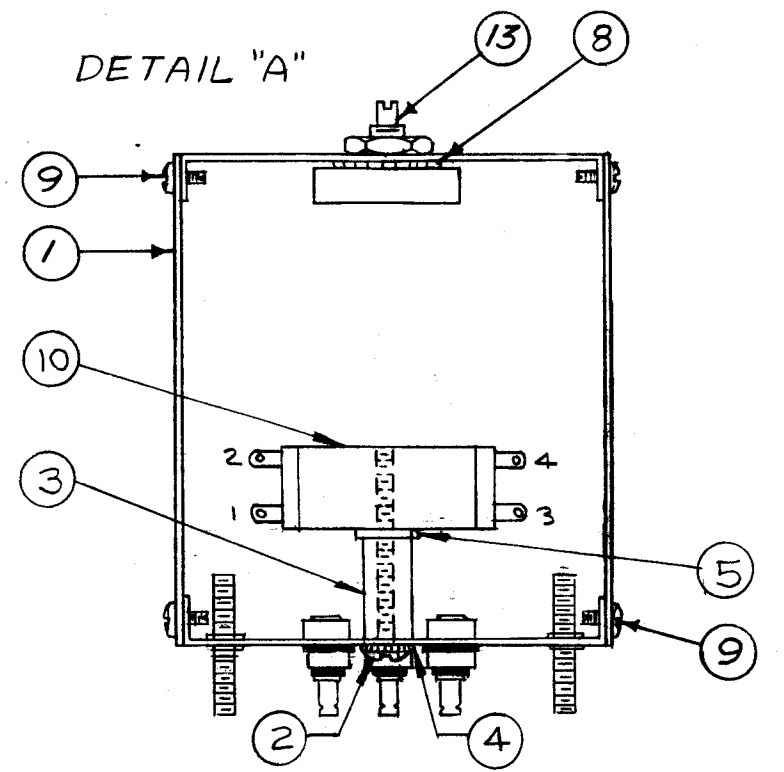


Stamp as shown - 1/8" high Black Gothic (after painting)



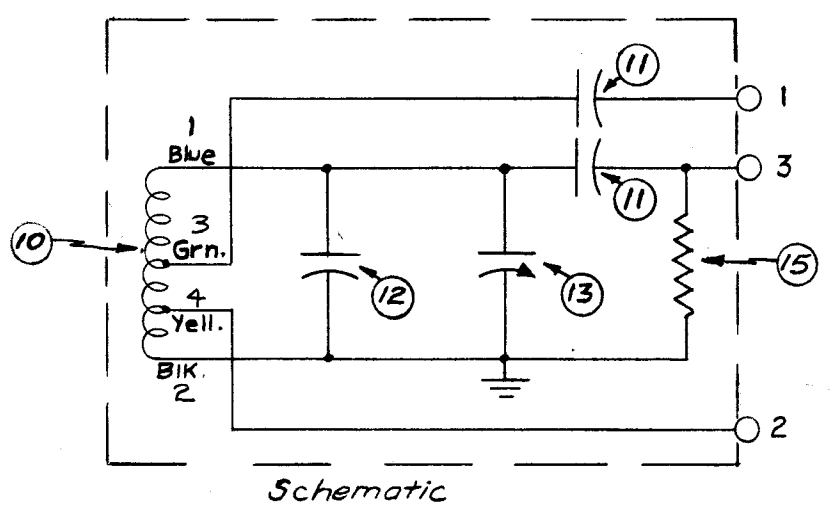
FINISH NOTE
 5-114 Zinc Chromate Primer
 5-115 Smooth Grey Enam.
 Paint all surfaces except base.

1. Use Sleeving, item 14, wherever there exists the danger of shorting.
2. Solder all connections - Clean outside terminals after soldering.



REQ. ITEM	PART NO.	DESCRIPTION	SYMBOL
23	MWC22(7)U5	CABLE, INSULATED	GREEN
22	MWC22(7)U4	CABLE, INSULATED	YELL.
21		DELETED	
X 20	BS-100	Solder, Soft	
19	MWC22(7)U0	Cable, Insulated (Size 22)	Blk.
18	MWC22(7)U6	Cable, Insulated (Size 22)	Blue
1	17 TM-117-10	Terminal Strip.	
1	16 TE-104-2	Lug, Terminal	
1	15 RC20GF104K	Resistor, Fixed	
X 14	PX-104-4-.034	Insulation, Sleeving (Size 20)	Grn.
1	13 CV-100-304	Capacitor, Variable	
1	12 CM20D152G	Capacitor, Fixed, Mica	
2	11 CM20D102G	Capacitor, Fixed, Mica	
1	10 TF-177	Transformer, A.F.	
8	9 SFB0440SN4	Screw, Thd. Cutting	
1	8 LWE12MRN	Lockwasher, Ext.	
2	7 NTH0632BNB	Nut, Hex.	
6		DELETED	
1	5 FW08L5N	Washer, Flat	
2	4 LWE06MRN	Lockwasher, Ext.	
1	3 TE-117-3	Spacer	
1	2 SCB50632BN18	Screw, Machine	
1	1 BX-149	Case & Covers	

ISSUE	ITEM	CHANGED FROM	DATE	CH. NO.	DRAFTS	CHECKER	ENG. APP.
D	3	ITEMS 6+21 DELETED	8/2/60	2645	CM	JCB	[Signature]
D	2	ITEMS 22+23 ADDED					
C	1	PICTOR. CLAR. TO ACCOM. TF177	3/8/58	3	KG	[Signature]	[Signature]
C	1	ITEM 9 QUAN. INCH. FROM 4 TO 8					
B	1	DWG. NO. WAS A-1381 A-1381 IS NOW THE CUST. DWG. - UNIT WILL STILL BE STAMPED A-1381	1/3/58	2	KG	[Signature]	[Signature]
A	1	item 21 Added	12/15/57	1	KG	[Signature]	[Signature]



TOLERANCES
 DEC. DIM. ±
 FRAC. DIM. ±
 ANGULAR DIM. ±

SCALE:
 MAXIMUM ALLOWABLE TOLERANCES HAVE BEEN DETERMINED AND ANY DEVIATIONS WILL BE CAUSE FOR REJECTION. REMOVE ALL BURRS AND SHARP EDGES

1	A-1381	24	2-28-57
REQ. PER UNIT	MODEL	PROJECT NO.	DATE
		SYMBOL NO.	
USED ON			

TYPE & TEMPER	HEAT TREAT. SPEC.	DRAWN	CHECKED	FINAL APPROVAL
See Finish Note		P.L.K.	[Signature]	AJJ
FINISH & SPEC. NO.		ELEC. DES. APP.	MECH. DES. APP.	

A-1493 D