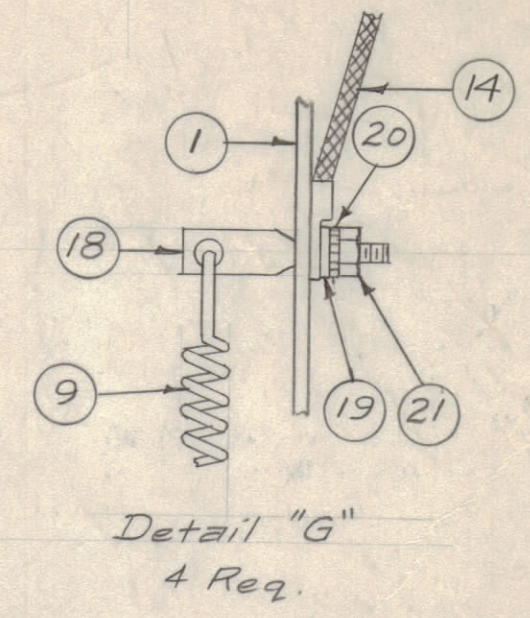
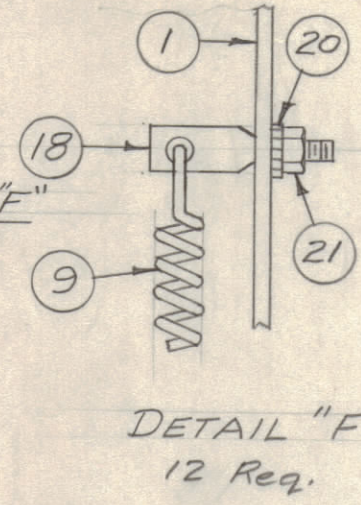
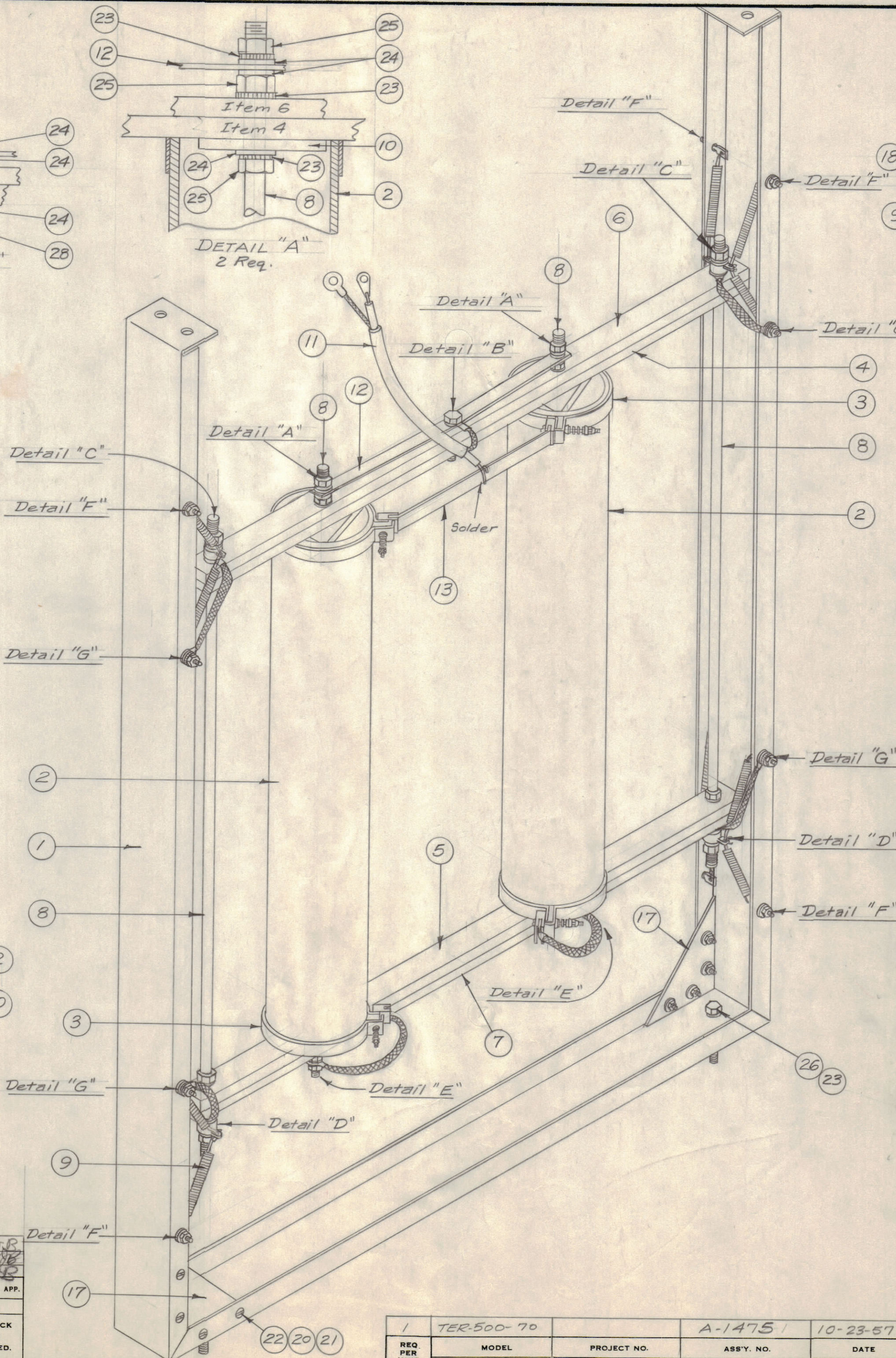
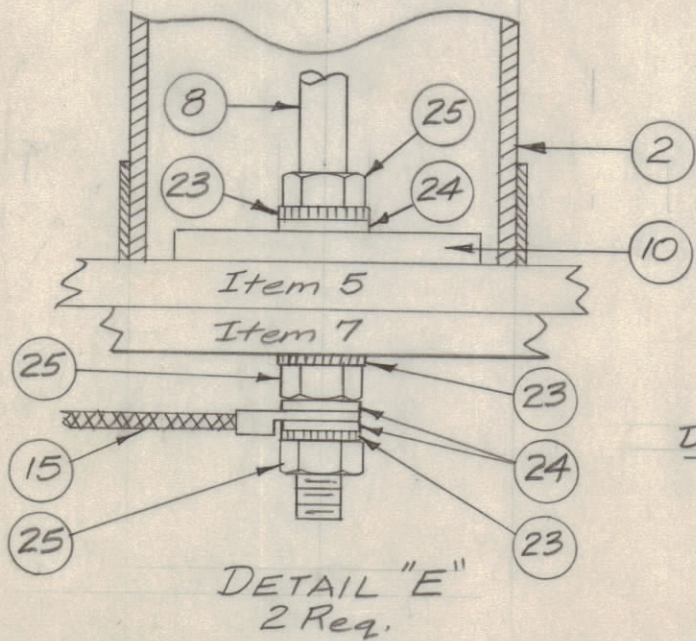
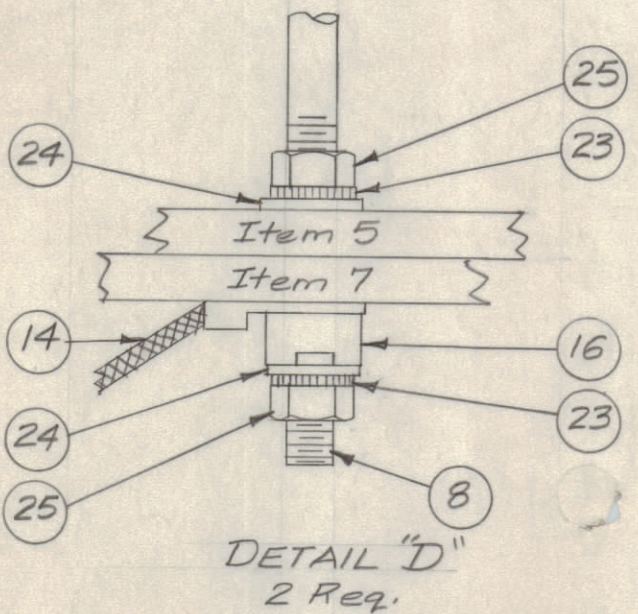
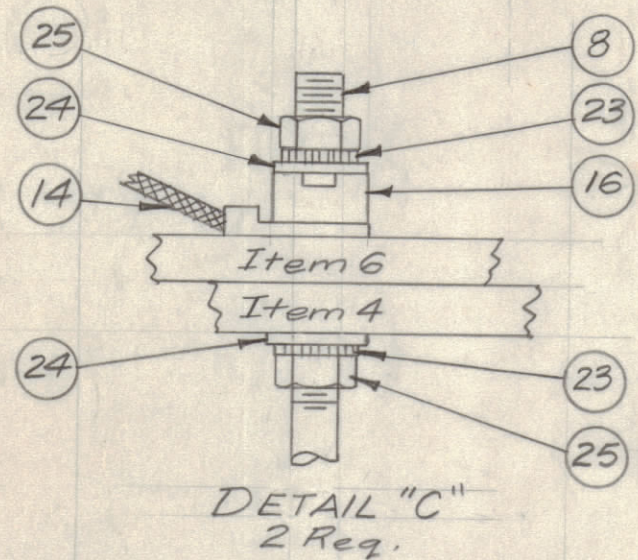
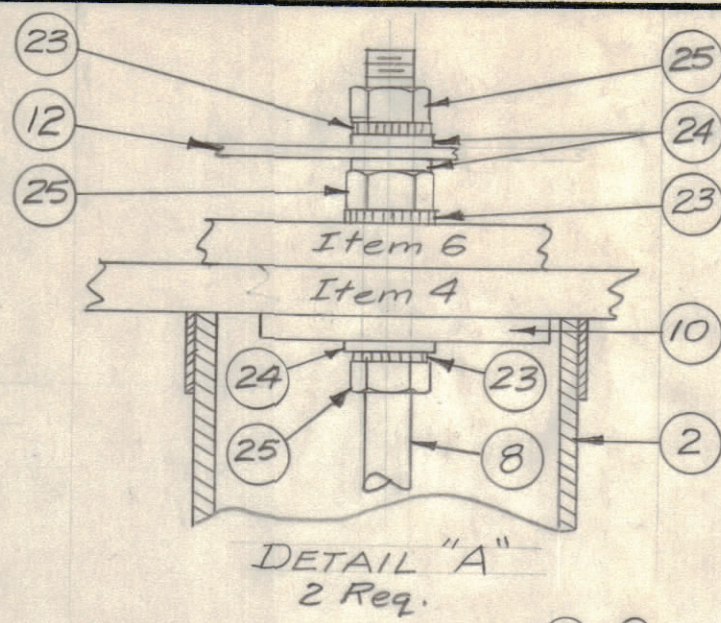
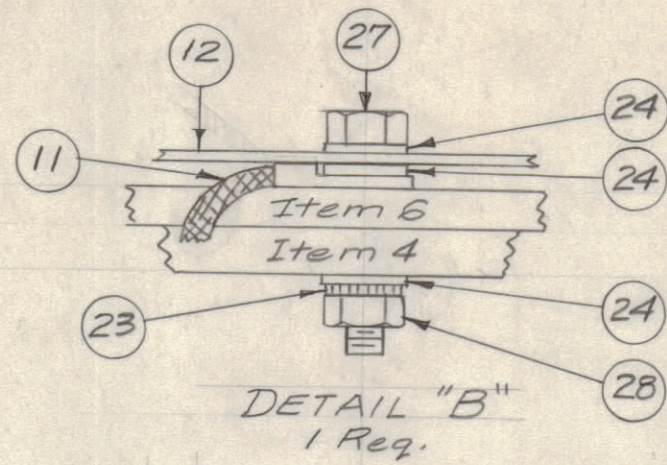


IF IT IS FOUND DESIRABLE TO CHANGE ANY TOLERANCE OR OTHER DETAIL SPECIFIED ON THIS DRAWING NOTIFY THE PURCHASER PROMPTLY.

MAXIMUM ALLOWABLE TOLERANCES HAVE BEEN DETERMINED AND DEVIATIONS WILL BE CAUSE FOR REJECTION. REMOVE ALL BURRS AND SHARP EDGES



X	29	B5-100	Solder, Soft	
	1	28 NTH2520BN14	Nut, Hex.	
	1	27 SCHH2520BN18	BOLT, Hex. Head	
	2	26 SCHH2520BN12	BOLT, Hex. Head	
	20	25 NTH2528BN14	Nut, Hex	
	23	24 FW25HBN	Washer, Flat	
	23	23 LWE25MRN	Lockwasher, Ext.	
	8	22 SCF50632BN6	Screw, Machine	
	24	21 NTH0632BN10	Nut, Hex	

A-1476 C

24	20	LWE06MRN	Lockwasher, External	
4	19	FW06HBN	Washer, Flat	
16	18	SC-106-1	Bolt, Spade, Straight	
2	17	MS-766	Gusset, Resistor Support	
4	16	MS-4584-7	LEAD, ELECTRICAL	
2	15	CA-409-66-300	Lead, Electrical	3" L
4	14	CA-409-97-3.00	Lead, Electrical	3"
1	13	MS-202-1-2.87	Lead, Connecting	2 7/8
1	12	MS-202-2-6.12	Lead, Connecting	6 1/8
1	11	CA-358	Cable, Connecting	
4	10	PX-387	Support, Resistor, Inside	
16	9	SP-124	Spring, Extension	
4	8	PM-373-2	Rod, Support	
1	7	PM-468-2	Support, Resistor	
1	6	PM-468-1	Support, Resistor	
1	5	PX-389	Insulator, Resistor, Phenolic	
1	4	PX-388	Insulator, Resistor, Teflon	
4	3	A-1477	Strap Assembly	
2	2	RR-119-140	Resistor, Fixed, 250 Watts	
1	1	MS-745	Main Support, Resistor	

REQ. ITEM	PART NO.	DESCRIPTION	SYMBOL
THE TECHNICAL MATERIEL CORP.			
MAMARONECK, NEW YORK			
RESISTOR SUPPORT			
ASS'Y., TER-500-70			
STOCK SIZE		6/10-23-57	
MATERIAL		DRAWN <i>JER</i>	
WEIGHT PER PC.		ELEC. DES. APP. <i>JER</i>	
TYPE & TEMPER		MECH. DES. APP. <i>JER</i>	
HEAT TREAT. SPEC.		CHECKED <i>AMC</i>	
FINISH & SPEC. NO.		FINAL APPROVAL <i>AJJ</i>	
A-1476 C			

C	1	IT. 16 WAS M1015-2 COUPLING, FW 72B4	16627	RME	<i>AMC</i>	<i>JER</i>	
B	1	BUILDUP UPDATED	1031-63 1030	RF	<i>AMC</i>	<i>JER</i>	
A	1	Item() Was MS-1157	4-25-62 6629	RF	<i>AMC</i>	<i>JER</i>	
ISSUE	ITEM	CHANGED FROM	DATE	CN. NO.	DRAFTS	CHECKER	ENG. APP.
TOLERANCES			SCALE: 1/2				
ALL OTHERS		DEC. DIM. ±	DRILL, PUNCH, COMMERCIAL STOCK				
		FRAC. DIM. ±	SIZES AND MANUFACTURERS				
		ANGULAR DIM. ±	TOLERANCES ARE NOT INCLUDED.				

1	TER-500-70	A-1475-1	10-23-57
REQ PER UNIT	MODEL	PROJECT NO.	DATE
		ASS'Y. NO.	
USED ON			