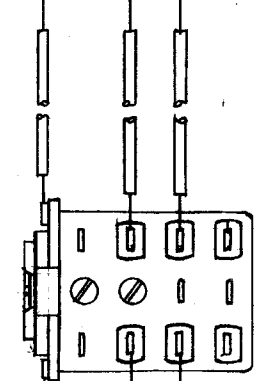


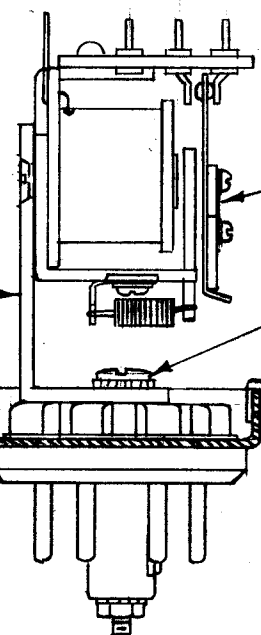
A-1460 B

To Pin 4
To Pin 1

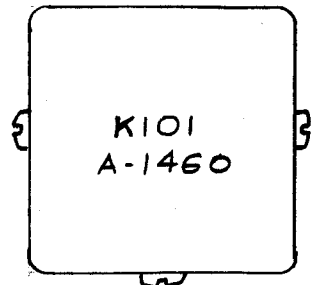


To Pin 3

To Pin 2
To Pin 7

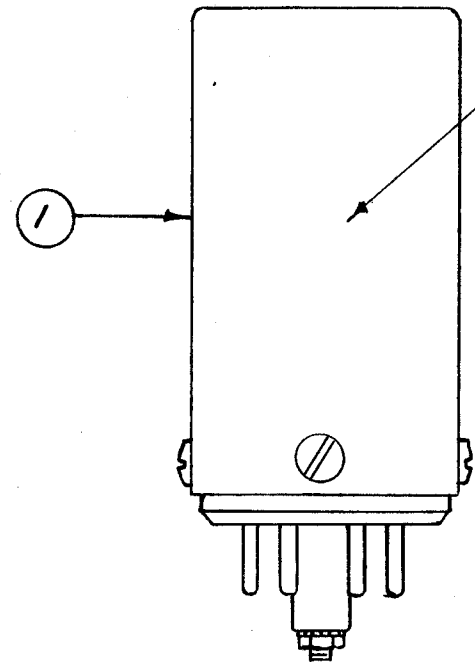


stamp $\frac{1}{8}$ high black Gothic as shown.

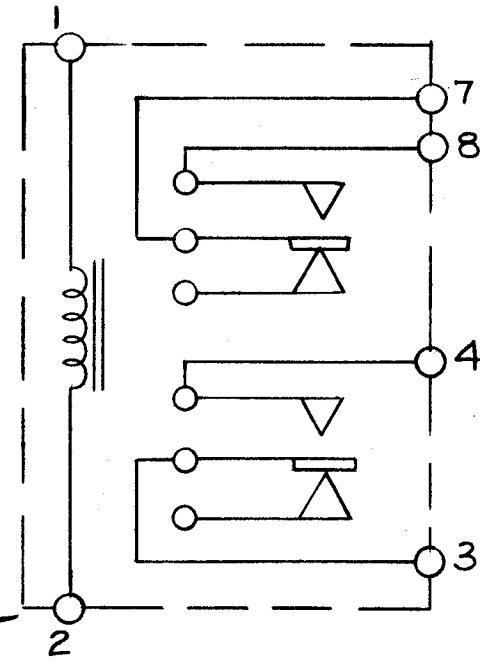


All wire, item 9
All sleeving, item 10

TMC Approval Stamp



Octal Plug Pins



NOTICE TO PERSONS RECEIVING THIS DRAWING

THE TECHNICAL MATERIEL CORPORATION claims proprietary right in the material disclosed hereon. This drawing is issued in confidence for engineering information only and may not be reproduced or used to manufacture anything shown hereon without permission from THE TECHNICAL MATERIEL CORPORATION to the user. This drawing is loaned for mutual assistance and is subject to recall at any time.

Property of:
THE TECHNICAL MATERIEL CORPORATION
MAMARONECK, NEW YORK

X	11	B5-100	Solder, Soft	
X	10	PX-104-2-022	Insulation, Sleeving #24 Red	
X	9	WL-100-8	Wire, Buss #24	
1	8	NTH0440BNG	Nut, Hex.	
2	7	LWEO4MRN	Lockwasher, Ext.	
1	6	SCB50440BN19	Screw, Machine	
	5	DELETED		
1	4	SC131-0632BN5	Screw, Machine	
1	3	MS-1117	Bracket, Relay	
1	2	RL116DC2C-120	Relay	
1	1	PO-106-2-NT	Plug-In Socket	
REQ. ITEM	PART NO.		DESCRIPTION	SYMBOL

STOCK SIZE			THE TECHNICAL MATERIEL CORP. MAMARONECK, NEW YORK		
MATERIAL			VOX RELAY ASS'Y. (SBE)		
TYPE & TEMPER	HEAT TREAT. SPEC.	DRAWN	CHECKED	FINAL APPROV.	
		16 9/5/57	WDe	AMB	
FINISH & SPEC. NO.		ELEC. DES. APP.	MECH. DES. APP.	A-1460 B	

B	IT 5 DELETED IT 4 WAS SCB50632BN5	11.1.66	17114	WHW	OKS	OK	
A	2 ITEM 2 WAS RL116DC2C-120 1 ALL HARDWARE WAS CADMIUM	8/23/61	5484	G. E.	RU	AM	
ISSUE	ITEM	CHANGED FROM	DATE	CH. NO.	DRAFTS	CHECKER	ENG. APP.
TOLERANCES		SCALE:					
DEC. DIM. ±		MAXIMUM ALLOWABLE TOLERANCES HAVE BEEN DETERMINED AND ANY DEVIATIONS WILL BE CAUSE FOR REJECTION.					
ANGULAR DIM. ±		REMOVE ALL BURRS AND SHARP EDGES					
1	SBE-3	AX-205	12-2-57				
1	SBE-1		9-5-57				
REQ. PER UNIT	MODEL	PROJECT NO.	ASS'Y. NO.	DATE			