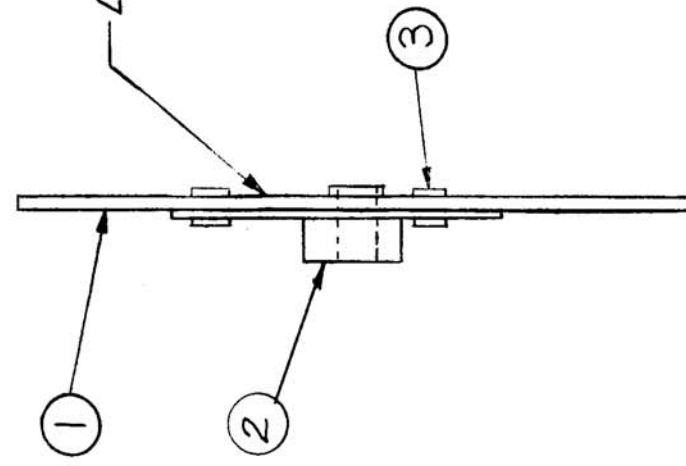
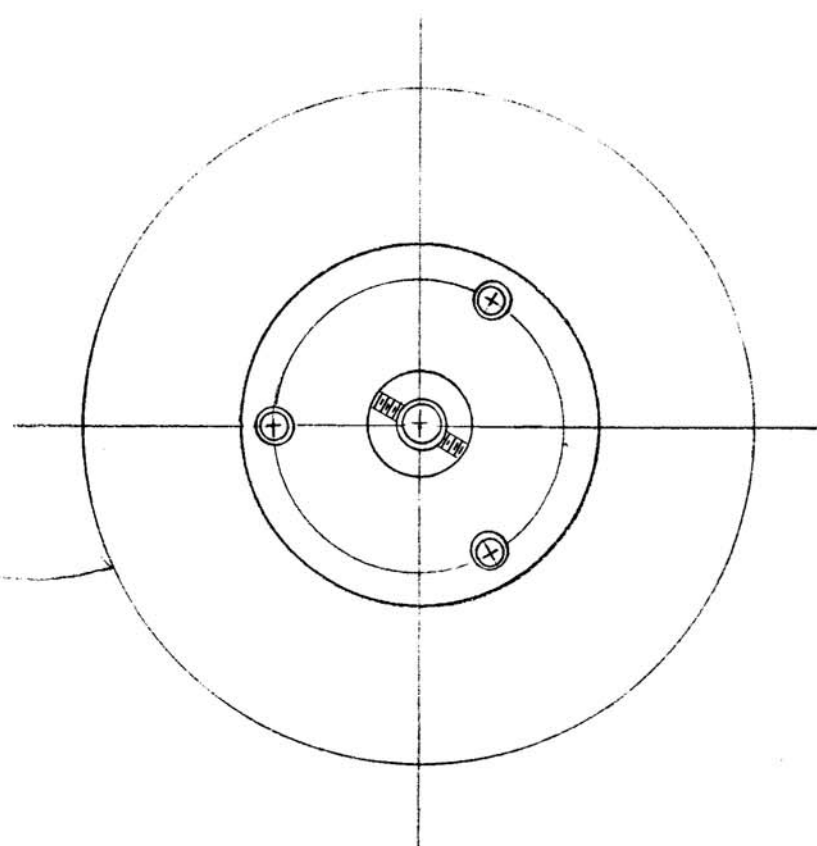


REQ. PER UNIT	1	MODEL	SBE-1	USED ON	ASSY. NO.	DATE
	1		SBE-2		7-18-57	5-5-58

A-1441 A



3	3	EY-100-1	Eyelet	SYMBOL
1	2	A-1023	Support Plate Assembly	
1	1	LD-350	Lettering, HF Dial	
REQ. ITEM	PART NO.	DESCRIPTION		
		THE TECHNICAL MATERIEL CORP. MAMARONECK. NEW YORK		
		HF DIAL ASS'Y.		
		SBE-1		
		MATERIAL	CHECKED	FINAL APPROVAL
			RWB	[Signature]
		TYPE & TEMPER	DRAWN	
		HEAT TREAT. SPEC.		
		FINISH & SPEC. NO.	ELEC. DES. APP.	
				A-1441 A

ISSUE ITEM	CHANGED FROM	DATE	CH. NO.	DRAFTS	CHECKER	ENG. APP.
A 2	Item 3 was 2 Req.	1-10-62	6168	ll	[Signature]	[Signature]
A 1	Item 2 was MC-105-2					
TOLERANCES						
DEC. DIM. ±						
FRAC. DIM. ±						
ANGULAR DIM. ±						
SCALE: MAXIMUM ALLOWABLE TOLERANCES HAVE BEEN DETERMINED AND ANY DEVIATIONS WILL BE CAUSE FOR REJECTION. REMOVE ALL BURRS AND SHARP EDGES						