

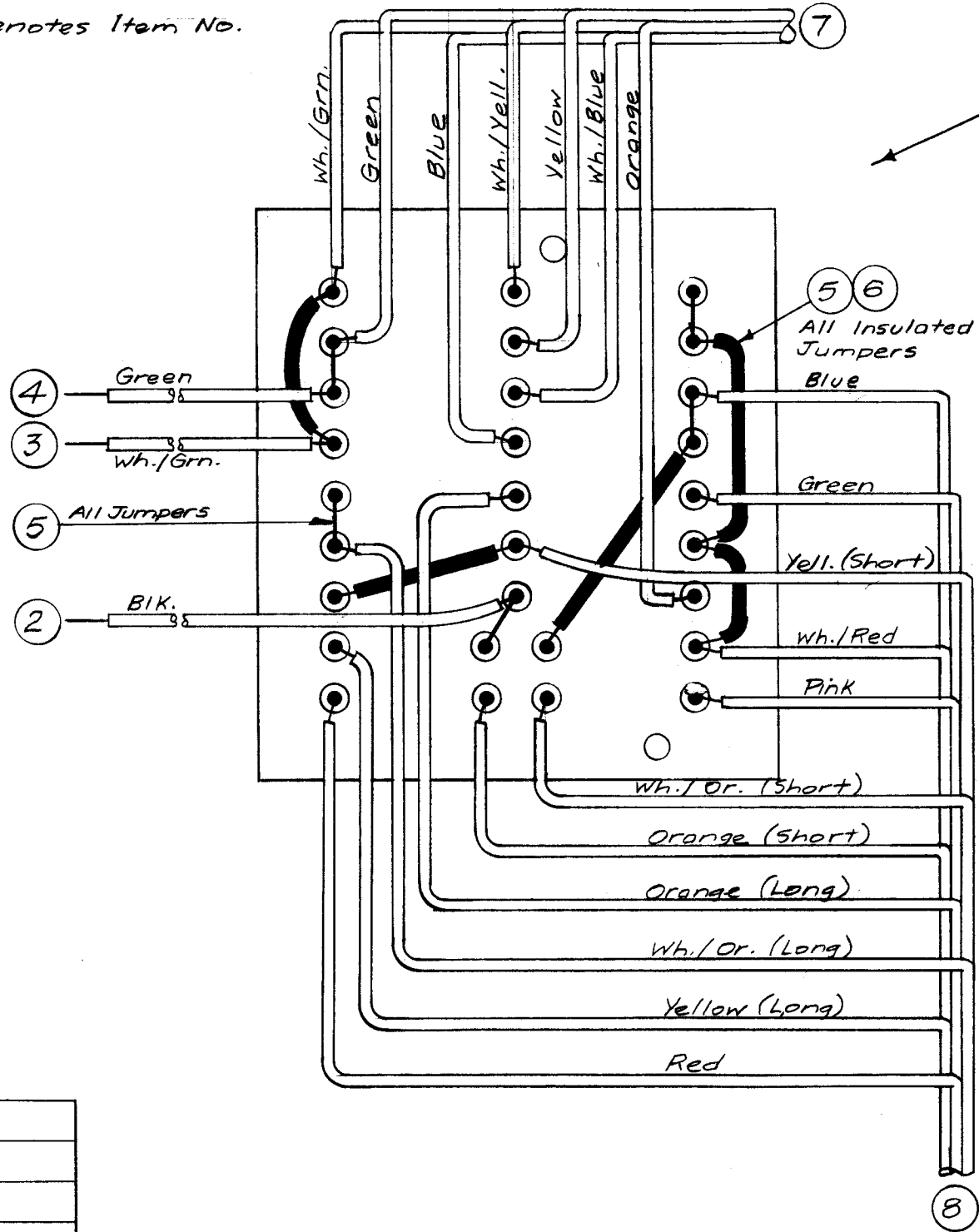
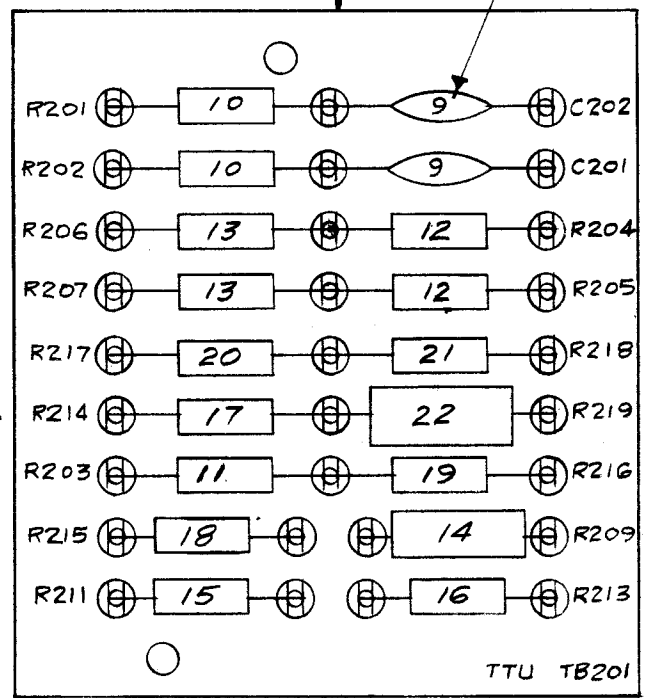
A-1395

NOTICE TO PERSONS RECEIVING THIS DRAWING.

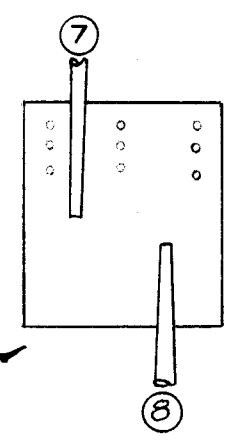
THE TECHNICAL MATERIEL CORPORATION claims proprietary right in the material disclosed hereon. This drawing is issued in confidence for engineering information only and may not be reproduced or used to manufacture anything shown hereon without permission from THE TECHNICAL MATERIEL CORPORATION to the user. This drawing is loaned for mutual assistance and is subject to recall at any time.

Property of:
THE TECHNICAL MATERIEL CORPORATION
MAMARONECK, NEW YORK

Denotes Item No.



True Position of Cables



Same View

REQ. ITEM	PART NO.	DESCRIPTION	SYMBOL
X 23	BS-100	Solder, Soft	
1 22	RC42GF331K	Resistor, Fixed, Comp.	R219
1 21	RC20GF563K		R218
1 20	RC20GF104K		R217
1 19	RC20GF682K		R216
1 18	RC20GF474K		R215
1 17	RC20GF154K		R214
1 16	RC20GF151K		R213
1 15	RC20GF471K		R211
1 14	RC30GF472K		R209
2 13	RC20GF823K		R207 R206
2 12	RC20GF105K		R205 R204
1 11	RC20GF273K		R203
2 10	RC20GF683K	Resistor, Fixed, Comp.	R202 R201
2 9	CC-100-16	Capacitor, Fixed, Ceramic	C202, C201
1 8	CA-331	Cable, Main	
1 7	CA-328	Cable, Term. Bd.	
X 6	PX-104-1-.022	Insulation, Sleeving (Size 24)	Black
X 5	WL-100-8	Wire, Buss (Size 24)	
3 1/2"	4 SRIR 3/5(7)22-U-55	Cable, Insulated (Size 22)	Green
3 1/2"	3 " -95	" " " "	Wh./Grn.
2 1/2"	2 " -00	" " " "	Black
1 1	A-1371	Terminal Bd. Sub-Ass'y.	

ISSUE ITEM	CHANGED FROM	DATE	CH. NO.	DRAFTS	CHECKER	ENG. APP.
TOLERANCES		SCALE:				
DEC. DIM. ±		MAXIMUM ALLOWABLE TOLERANCES HAVE BEEN DETERMINED AND ANY DEVIATIONS WILL BE CAUSE FOR REJECTION.				
FRAC. DIM. ±		REMOVE ALL BURRS AND SHARP EDGES				
ANGULAR DIM. ±						

1	TTU			3-7-57
REQ. PER UNIT	MODEL	PROJECT NO.	ASS'Y. NO.	DATE
USED ON				

STOCK SIZE		THE TECHNICAL MATERIEL CORP. MAMARONECK, NEW YORK	
MATERIAL		TTU TERMINAL BOARD FINAL ASS'Y. (TB201)	
TYPE & TEMPER	HEAT TREAT. SPEC.	DRAWN	CHECKED
FINISH & SPEC. NO.		163-7-57	AJT
		ELEC. DES. APP.	MECH. DES. APP.
		A-1395	