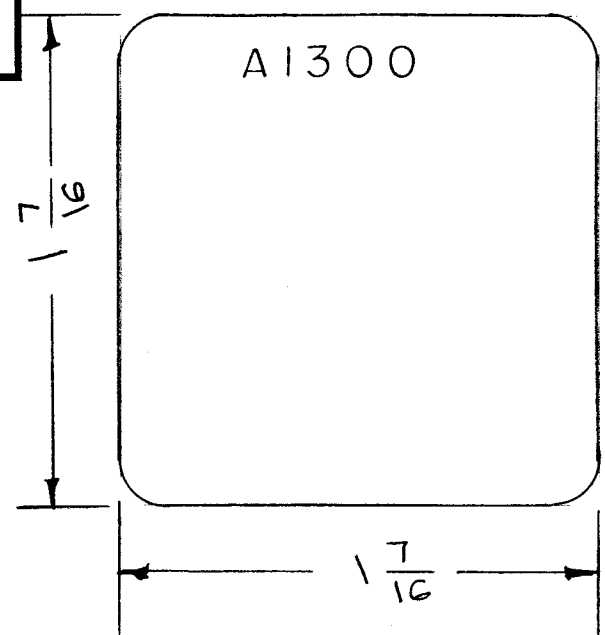
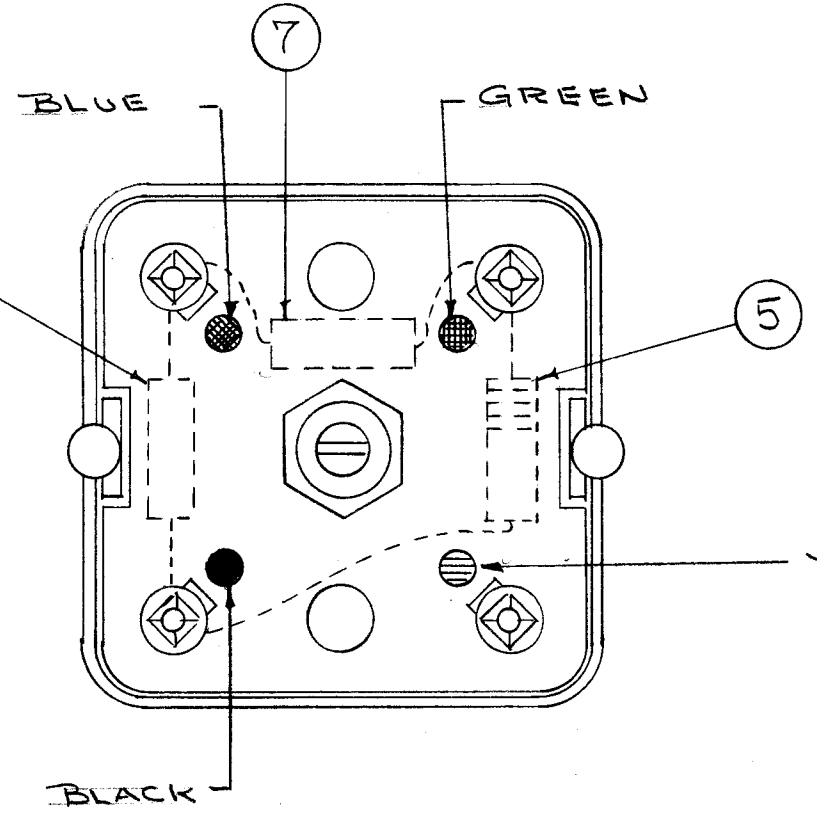
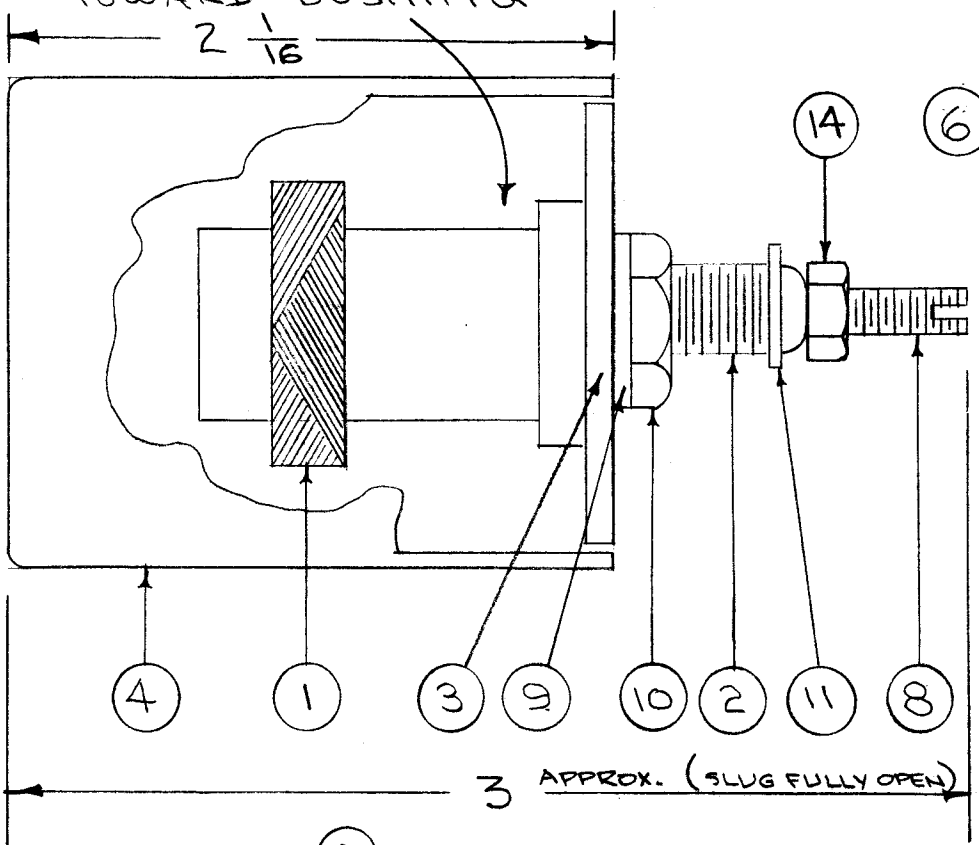


A-1300

STAMP TOP OF CAN AS BELOW.  
 1/8 HIGH BLACK GOTHIC.

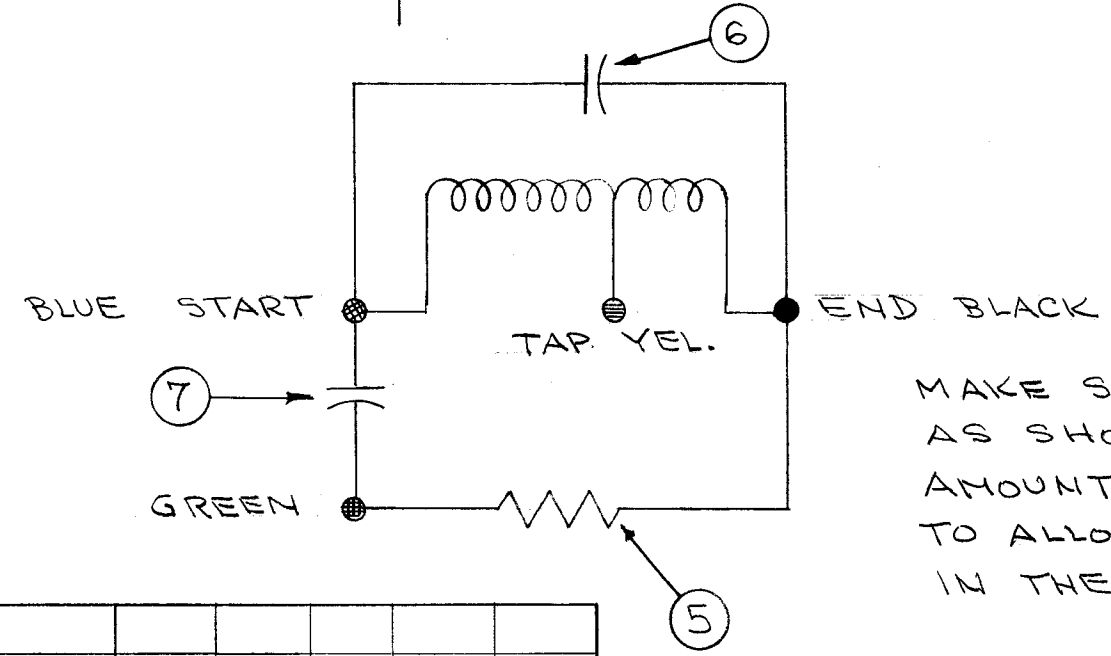


SECURE COIL FORM TO BUSHING WITH ITEM 12. (GL-103)  
 NOTE: LONG SIDE OF COIL FORM TOWARD BUSHING



COLOR CODE TERMINAL BOARD AS SHOWN

NOTICE TO PERSONS RECEIVING THIS DRAWING  
 THE TECHNICAL MATERIEL CORPORATION claims proprietary right in the material disclosed hereon. This drawing is issued in confidence for engineering information only and may not be reproduced or used to manufacture anything shown hereon without permission from THE TECHNICAL MATERIEL CORPORATION to the user. This drawing is loaned for mutual assistance and is subject to recall at any time.



MAKE SOLDER CONNECTIONS AS SHOWN. LEAVE A SMALL AMOUNT OF SLACK IN LEADS TO ALLOW FOR RECONNECTION IN THE EVENT OF BREAKAGE.

REQ.	ITEM	PART NO.	DESCRIPTION	SYMBOL
1	14	NTH0632BC8	NUT, HEX.	
X	13	BS-100	SOLDER, SOFT	
X	12	GL-103	CEMENT, DUPO	
1	11	SP-102	SPRING CLIP	
1	10	NT-102	NUT, HEX	
1	9	LWI25LRC	WASHER, LOCK	
1	8	CI-109-16	CORE	
1	7	CM20E102J	CAPACITOR, FIXED	
1	6	CM20E132G	" " " "	
1	5	RC20GF104K	RESISTOR, FIXED	
1	4	A-163	CAN ASSY.	
1	3	A-1297	TERM. BD. ASSY.	
1	2	SM-110	BUSHING	
1	1	A-1296	OSC. COIL SUB ASSY.	

REQ.	ITEM	PART NO.	DESCRIPTION	SYMBOL
THE TECHNICAL MATERIEL CORP. MAMARONECK, NEW YORK				
STOCK SIZE				
OSC. COIL ASSEMBLY, 438 KC & 472 KC. Z2 GSB-1				
MATERIAL				
COR. 5/11/56 JAD H#				
TYPE & TEMPER		HEAT TREAT. SPEC.	DRAWN	CHECKED
			H#	DB
FINISH & SPEC. NO.		ELEC. DES. APP.	MECH. DES. APP.	
				A-1300 B

ISSUE	ITEM	CHANGED FROM	DATE	CH. NO.	DRAFTS	CHECKER	ENG. APP.
B	1	OUTSIDE DIM. ADDED	12/29/56	2	16	JAD	AW
A	1	ITEM 14 ADDED	12/29/56	1	16	JAD	WDC

TOLERANCES: DEC. DIM. ±, FRAC. DIM. ±, ANGULAR DIM. ±

SCALE: MAXIMUM ALLOWABLE TOLERANCES HAVE BEEN DETERMINED AND ANY DEVIATIONS WILL BE CAUSE FOR REJECTION. REMOVE ALL BURRS AND SHARP EDGES

REQ. PER UNIT	MODEL	PROJECT NO.	ASS'Y. NO.	DATE
1	GSB-1	459		5-11-56

USED ON

Property of:  
 THE TECHNICAL MATERIEL CORPORATION  
 MAMARONECK, NEW YORK