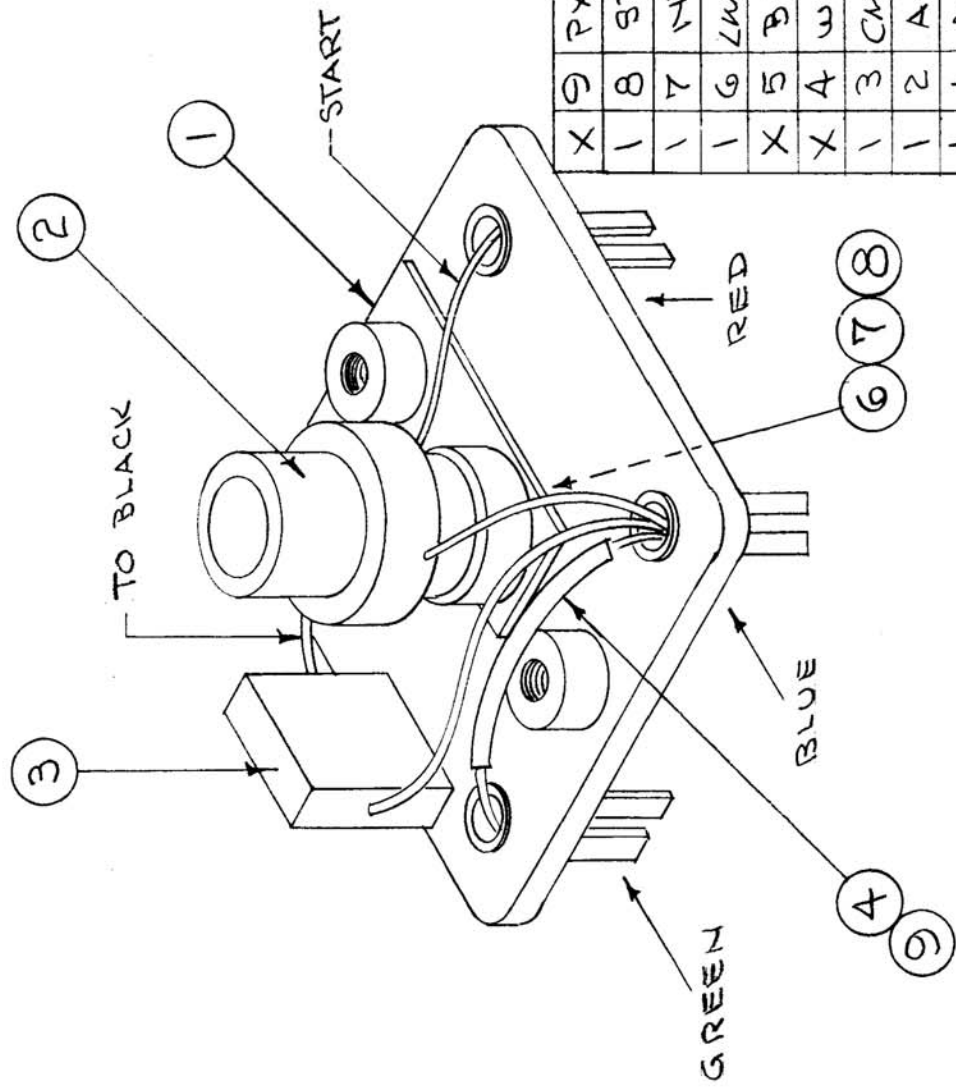
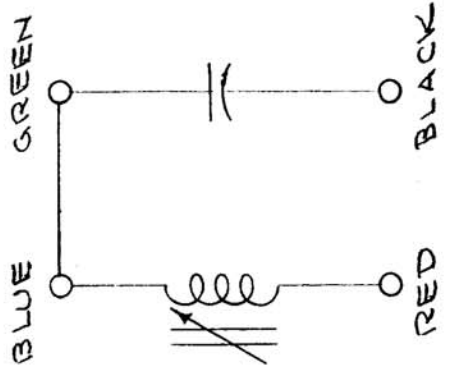


REQ. PER UNIT	1
MODEL	FFRD-1,2,3
USED ON ASSY. NO.	A-1252
DATE	3-16-56



MODEL	SYM ITEM 2	SYM ITEM 3
FFRD-1	L101	C124
-2	L201	C224
-3	L301	C324



REQ. ITEM	PART NO.	DESCRIPTION	SYMBOL
X 9	PX-104-1-022	INSULATION, SLEEVING	
1 8	SP-102	SPRING LOCK	
1 7	NT-102	NUT, HEX	
1 6	LWI 25MN	WASHER, LOCK	
X 5	BS-100	SOLDER, SOFT	
X 4	WL-100-7	WIRE, BUSS BAR	
1 3	CM20F681G03	CAPACITOR, FIXED	SEE CHART
1 2	A-1251	COIL ASSY.	SEE CHART
1 1	A-1250	TERM. BD. ASSY.	

THE TECHNICAL MATERIEL CORP. MAMARONECK, NEW YORK			
XTAL FILTER ASSY. > OUTPUT TANK			
PLK 4-9-56	PLK 4-9-56	PLK 4-9-56	PLK 4-9-56
DRAWN	CHECKED	FINAL APPROVAL	
MECH. DES. APP. <i>[Signature]</i>			
ELEC. DES. APP. <i>[Signature]</i>			
FINISH & SPEC. N.			A-1252

ISSUE ITEM	CHANGED FROM	DATE	CH. NO.	DRAFTS	CHECKER	ENG. APP.
A	ITS.3.6 P/N CHANGE	7-13-72	20787	GE	Ch	Ch
TOLERANCES						
SCALE:						
MAXIMUM ALLOWABLE TOLERANCES HAVE BEEN DETERMINED AND ANY DEVIATIONS WILL BE CAUSE FOR REJECTI N. REMOVE ALL BURRS AND SHARP EDGES						
DEC. DIM. ±						
FRAC. DIM. ±						
ANGULAR DIM. ±						