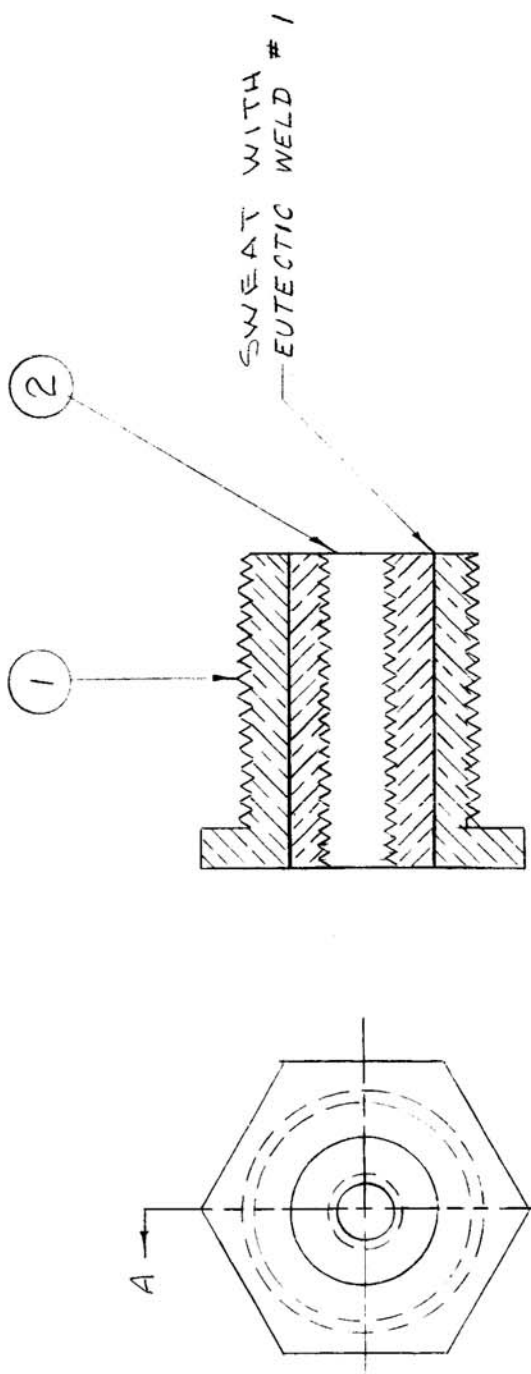


REQ. PER UNIT	MODEL	USED ON	A-1233
1	RTF	ASS'Y. NO.	
		DATE	2-16-56



SECTION "A-A"

NOTE  
 USED ONLY ON RTF SERIAL NOS  
 100-114 INCLUSIVE.

X 3	BS-104	EUTECTIC TIN WELD #1	DESCRIPTION	SYMBOL
1	TE-135-8	STAND-OFF SP CER		
1	BB-101	BEARING, PANEL		
REQ. ITEM	PART NO.	THE TECHNICAL MATERIEL CORP. MAMARONECK, NEW YORK		
STOCK SIZE		BUSHING, NEUTRALIZING		
MATERIAL		P/A		
TYPE & TEMPER		DATE	DRAWN	CHECKED
HEAT TREAT. SPEC.		2-16-56	JNDe	WJK
FINISH & SPEC. NO.		ELEC. DES. APP.		MECH. DES. APP.
TOLERANCES		SCALE:		
DEC. DIM. ±	CHANGED FROM	DATE	CH. NO.	DRAFTS
FRAC. DIM. ±				CHECKER
ANGULAR DIM. ±				ENG. APP.
MAXIMUM ALLOWABLE TOLERANCES HAVE BEEN DETERMINED AND ANY DEVIATIONS WILL BE CAUSE FOR REJECTION. REMOVE ALL BURRS AND SHARP EDGES				
FINAL APPROVAL		GPT-750		
A-1233				