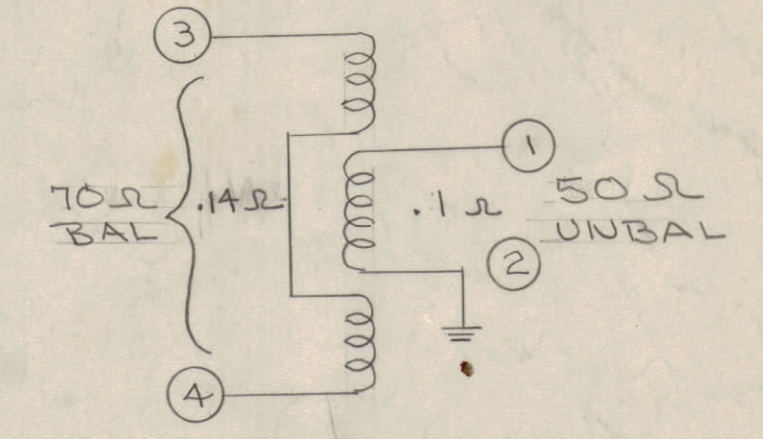


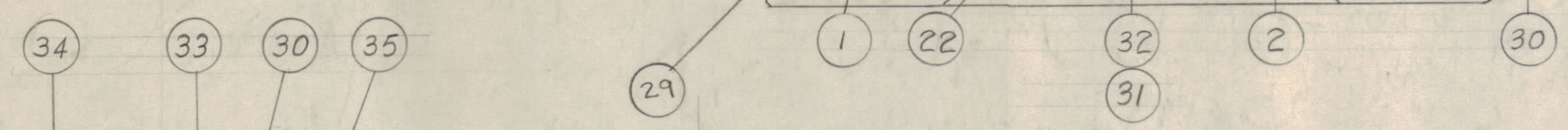
IF IT IS FOUND DESIRABLE TO CHANGE ANY TOLERANCE OR OTHER DETAIL SPECIFIED ON THIS DRAWING NOTIFY THE PURCHASER PROMPTLY.

MAXIMUM ALLOWABLE TOLERANCES HAVE BEEN DETERMINED AND DEVIATIONS WILL BE CAUSE FOR REJECTION. REMOVE ALL BURRS AND SHARP EDGES

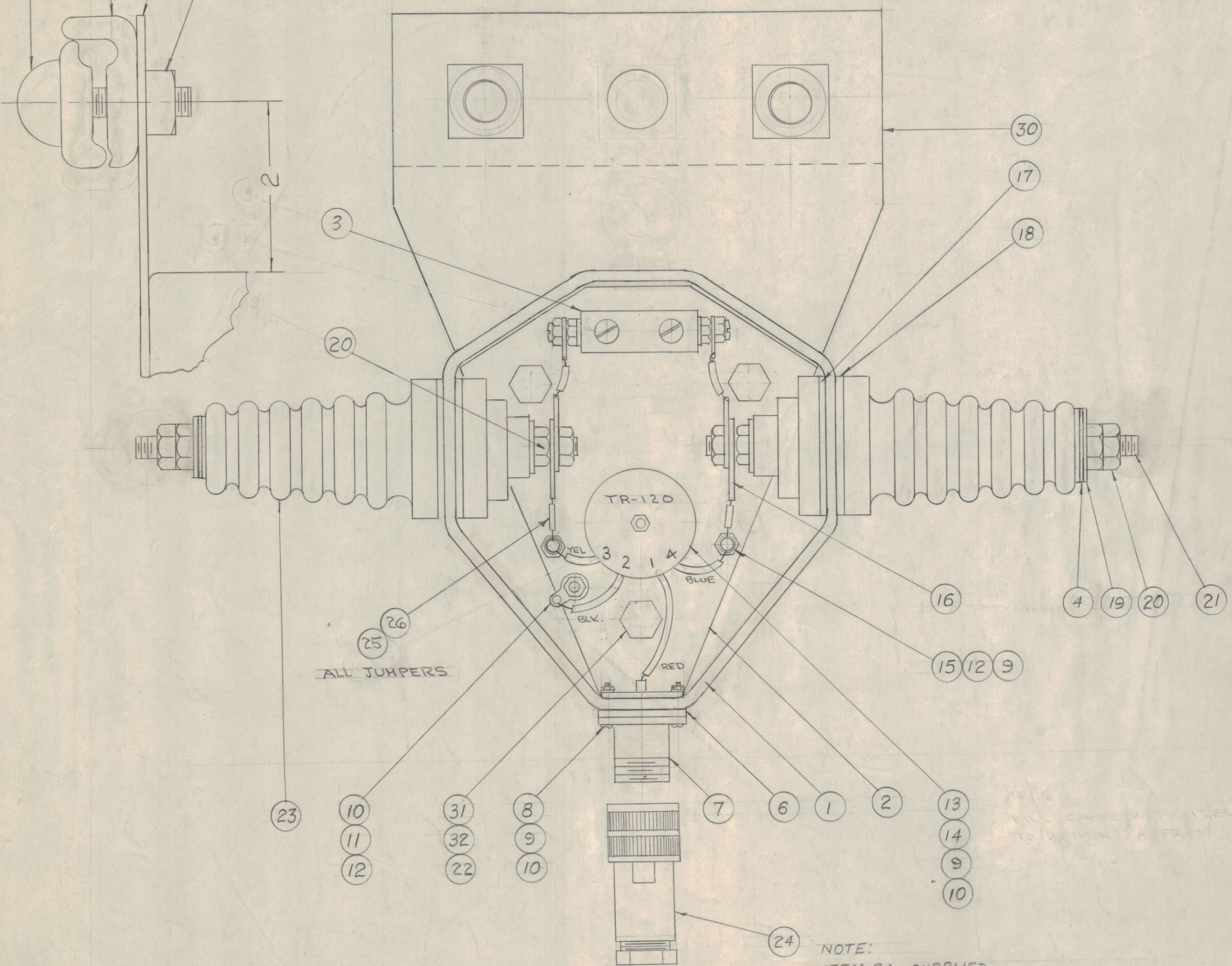
TR-120 ELECTRICAL SPECIFICATIONS
 70 Ω BALANCED
 50 Ω UNBALANCED
 2-30 Mc.



CASE MOUNTING DETAIL



NOTE
 1. FILL CASE WITH ITEM 27 TO WITHIN 1/8 FROM TOP.
 2. PLACE COVER ON CASE AND SEAL WITH ITEM 27.



2	35	SUPPLIED WITH CLAMP	NUT, SQUARE
2	34	SUPPLIED WITH CLAMP	BOLT
1	33	CU-124	CLAMP, SUSPENSION CABLE
6	32	LWS25MRC	LOCKWASHER, EXT.
3	31	SCHH2520BC18	SCREW, MACHINE
1	30	MS-790	CASE, MOUNTING PLATE
1	29	PM-231	COVER
X	28	B5-100	SOLDER, SOFT
X	27	GL-106	COMPOUND, POTTING
X	26	WL-100-3	WIRE, BUSS BAR
X	25	PX-104-1.066	INSULATION, SLEEVING
1	24	UG-21B/U	PLUG (LOOSE ITEM)
2	23	NS-107	INSULATOR, FEED-THRU
6	22	NTH2520BC14	NUT, HEX.

A-1214

2	21	SUPPLIED WITH INSULATOR	INSULATOR, STUD
8	20	SUPPLIED WITH INSULATOR	NUT, HEX.
4	19	SUPPLIED WITH INSULATOR	WASHER, FLAT
2	18	GA-115	GASKET, NEOPRENE
2	17	SUPPLIED WITH INSULATOR	GASKET, CORK
4	16	TE-13Z	TERMINAL, LUG
2	15	TE-10Z-2	TERMINAL, TURRET
1	14	SCBS0440BC12	SCREW, MACHINE
1	13	TR-120	TRANSFORMER
3	12	SCBS0440BC4	SCREW, MACHINE
1	11	TE-104-1	TERMINAL LOCKING
6	10	NTH0440BC8	NUT, HEX
7	9	LWEO4MRC	WASHER, LOCK
4	8	SCBS0440BC8	SCREW, MACHINE
1	7	UG-58A/U	RECEPTACLE
1	6	GA-106	GASKET
#	5	"	DELETED
2	4	RY-113-1	GASKET, NEOPRENE
1	3	A-883	SPARK ROD SUB-ASS'Y
1	2	MS-791	TRANSFORMER MTG. PLATE
1	1	PM-390	CASE

REQ. ITEM	PART NO.	DESCRIPTION	SYMBOL
THE TECHNICAL MATERIEL CORP.			
MAMARONECK. NEW YORK			
FINAL ASSEMBLY			
DAC-8			
STOCK SIZE			
MATERIAL		WEIGHT PER PC.	
TYPE & TEMPER		DRAWN	
HEAT TREAT. SPEC.		ELEC. DES. APP.	
FINISH & SPEC. NO.		MECH. DES. APP.	

NOTE:
 ITEM 24 SUPPLIED AS LOOSE ITEM.

SUE ITEM	CHANGED FROM	DATE	CN. NO.	DRAFTS	CHECKER	ENG. APP.
TOLERANCES						
SCALE:						
DRILL, PUNCH, COMMERCIAL STOCK SIZES AND MANUFACTURERS TOLERANCES ARE NOT INCLUDED.						
ALL OTHERS	DEC. DIM. ±					
	FRAC. DIM. ±					
	ANGULAR DIM. ±					

DAC-8	PROJECT NO.	ASS'Y. NO.	1/18/56
MODEL			DATE
USED ON			