

IF IT IS FOUND DESIRABLE TO CHANGE ANY TOLERANCE OR OTHER DETAIL SPECIFIED ON THIS DRAWING NOTIFY THE PURCHASER PROMPTLY.		DIMENSIONS IN INCHES UNLESS OTHERWISE SPECIFIED					
MAXIMUM ALLOWABLE TOLERANCES HAVE BEEN DETERMINED AND DEVIATIONS WILL BE CAUSE FOR REJECTION. REMOVE ALL BURRS AND SHARP EDGES.							
ISSUE	ITEM	CHANGED FROM	DATE	CH. NO.	DRAFTS	CHECKER	ENG. APP.
X		ENG. RELEASE	29 NOV 71		NAT.	LB	
A		FIG. 2 ADD	12/25	21331	GOL	MB	CL
B		CHANGE ITEM 6 FROM MS 11370 TO MS 6976 ITEM 8 DEL.	1-8-85	22090	GOL		DB

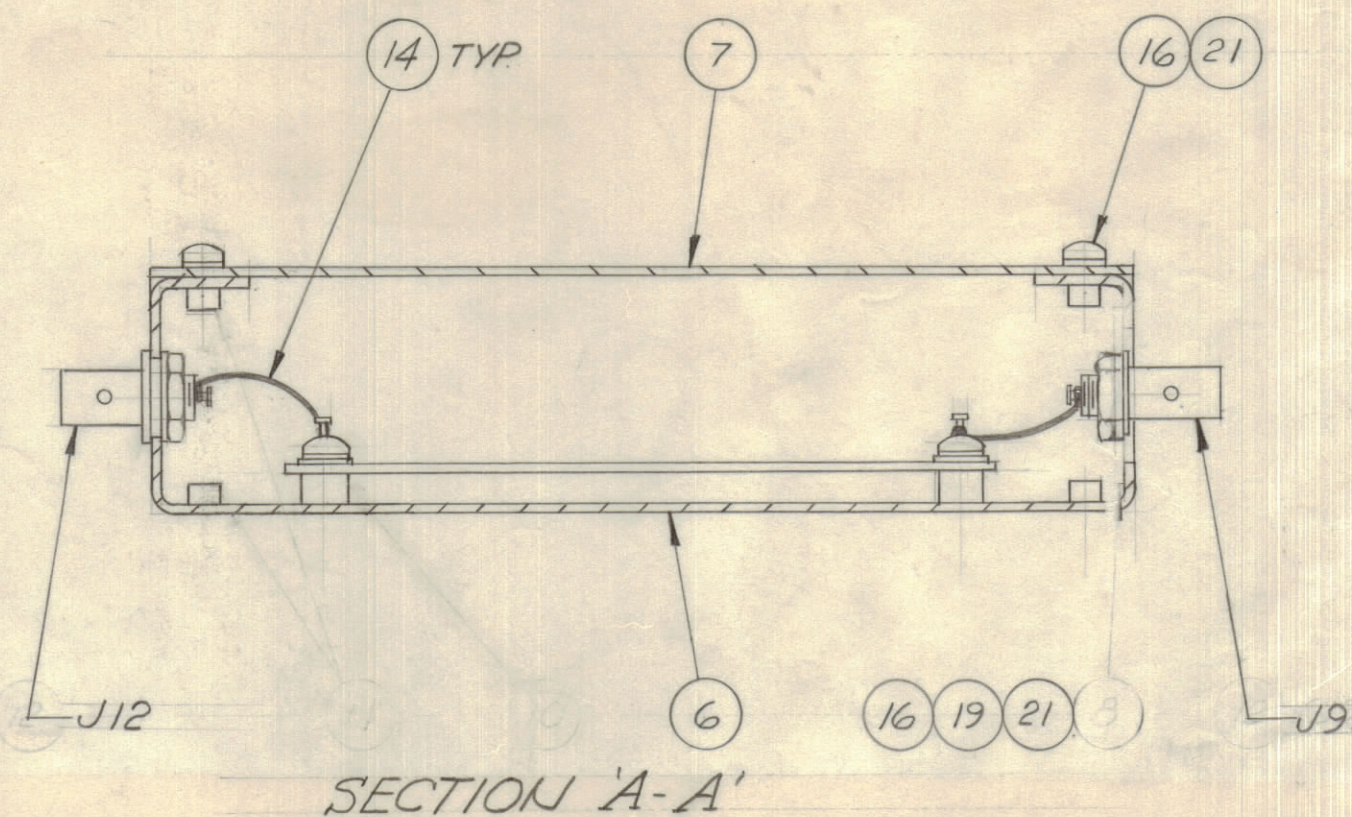
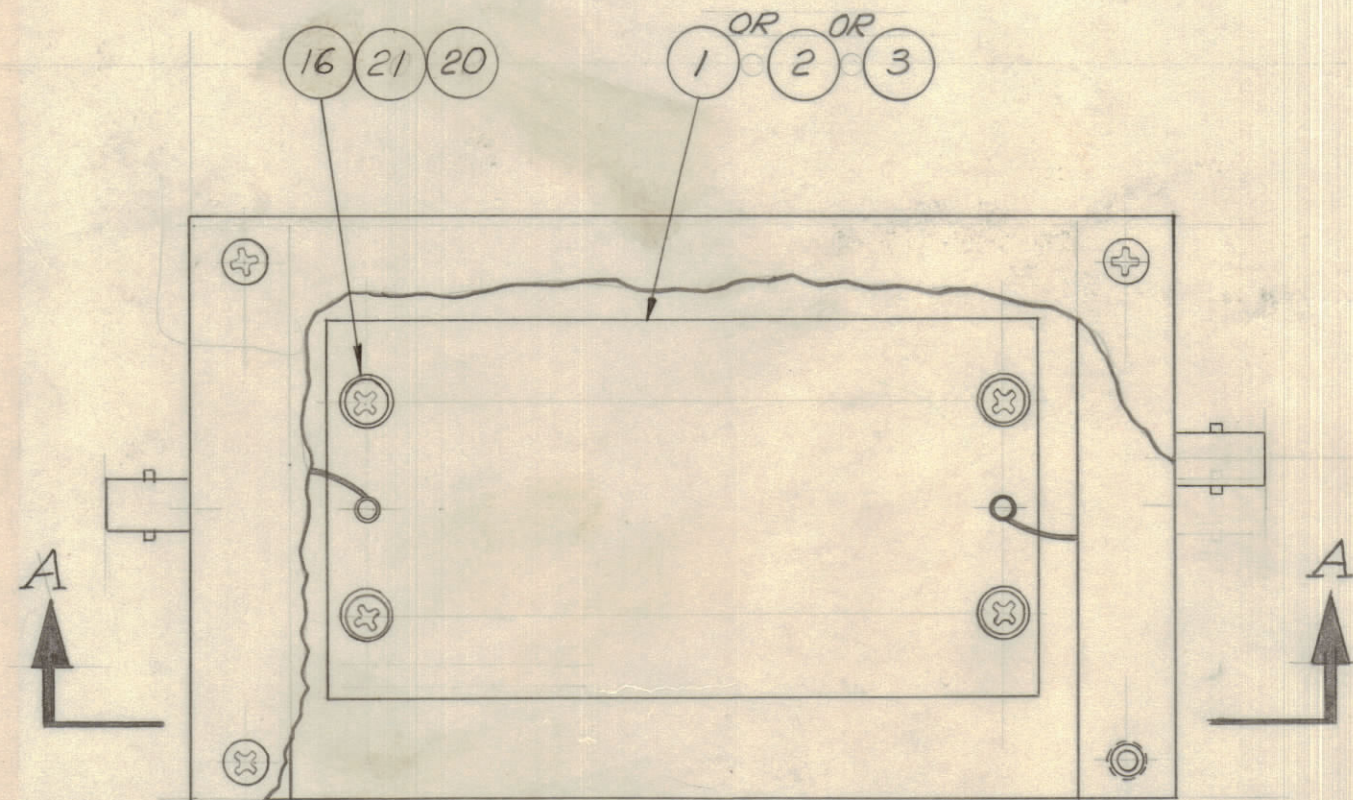


FIG. 1

QTY REQ'D				REQ.	ITEM	PART NO.	DESCRIPTION	USED ON	REMARKS
-4	-3	-2	-1						
			1	1	FX10020	FILTER BOARD ASSY	A11017-1	FIG. 1	
			1	2	FX10021	FILTER BOARD ASSY	A11017-2	FIG. 1	
			1	3	FX10022	FILTER BOARD ASSY	A11017-3	FIG. 1	
				4					
				5					
1	1	1	1	6	MS 6976	CHASSIS, FILTER HOUSING	A11017-1 to -3		
1	1	1	1	7	MS 11371	CHASSIS, FILTER TOP	A11017-1 to -3		
				8	DELETED	PLATE, ADAPTER	A11017-3		
				9					
	8	8	8	10	NT129-440-4	NUT, ROUND, SWAGE	A11017-3		
	4	4	4	11	TE164-6	NUT, PLAIN, CLINCH	A11017-3		
2	2	2	2	12	UG625/BL	CONNECTOR, RECEPTACLE, BNC	A11017-1 to -3	J9, J12	
				13					
X	X	X	X	14	WL100-7	WIRE, BLISS	A11017-1 to -3		
				15					
8	12	12	12	16	SCBP0440SS4	SCREW, MACH, PAN HD	A11017-1 to -3		
				17					
				18					
4	4	4	4	19	NTH0440SS8	NUT, HEX	A11017-1 to -3		
4	4	4	4	20	FW04HSS	WASHER, FLAT	A11017-1 to -3		
8	12	12	12	21	LWE04MSS	WASHER, LOCK, TOOTHED	A11017-1 to -3		
X	4	4	4	22	RG174/U	CABLE, R.F. TIGHT	A11017-4	FIG 2	
2				23	TE111-2	TERM., SOLDER	A11017-4	FIG 2	
				24					
					CK10836	SCHEMATIC			REF

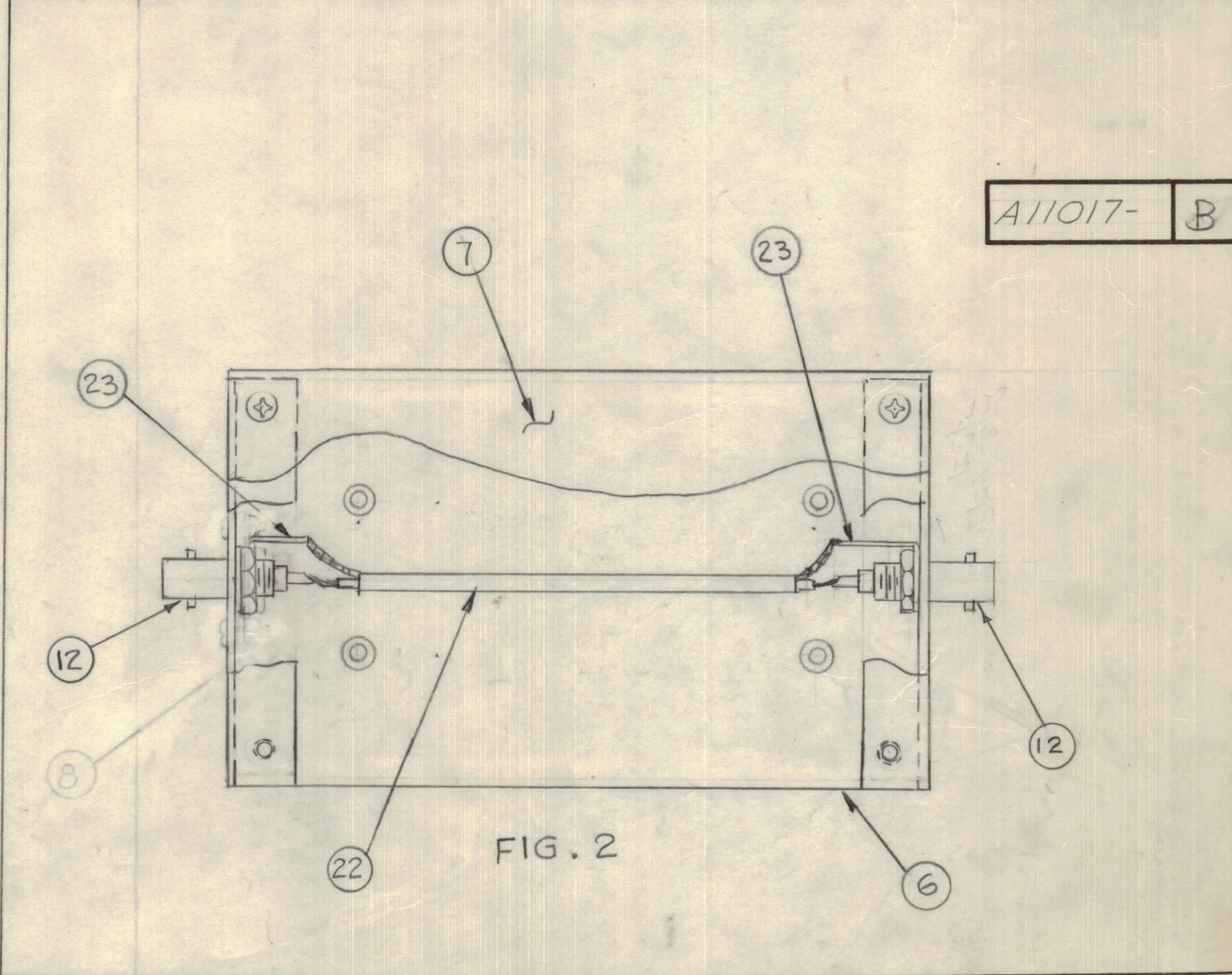


FIG. 2

TOLERANCES		SCALE: 1:1
ALL OTHERS	DEC. DIM. ± .05 FRAC. DIM. ± 1/64 ANGULAR DIM. ± 0° 30'	DRILL, PUNCH, COMMERCIAL STOCK SIZES AND MANUFACTURERS TOLERANCES ARE NOT INCLUDED.

MODEL	DASH NO.	ASS'Y. NO.	DATE
LMC 8 (50R & 75R)	A11017-3	MAIN ASSY	29 Nov 71

STOCK SIZE		TMC (Canada) LIMITED OTTAWA ONTARIO	
MATERIAL		FILTER, CHASSIS ASSEMBLY	
TYPE & TEMPER		N. THOMAS	
HEAT TREAT. SPEC.		L. BROWN	
FINISH & SPEC. NO.		CHECKED	
		FINAL APPROVAL	
		A11017-B	