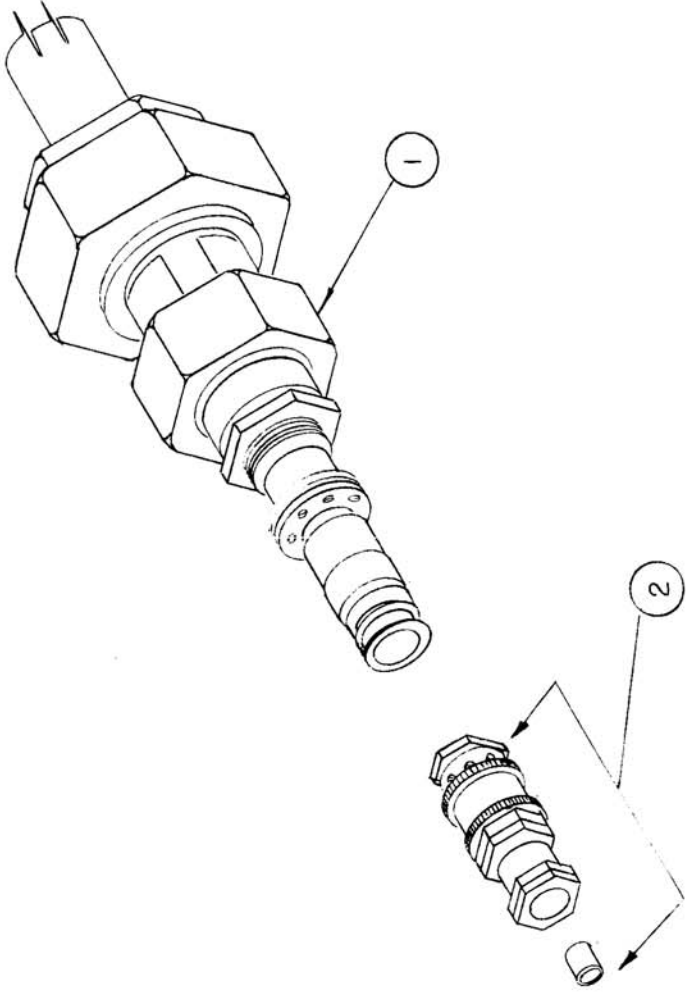


REQ. PER UNIT	MODEL	USED ON ASSY. NO.	DATE

A - 1177



1	2	PL-136	CONNECTOR, PLUG	SYMBOL
1	1	A-1174	CONNECTOR, RECEPTACLE	
REQ. ITEM	PART NO.	DESCRIPTION		
		THE TECHNICAL MATERIEL CORP. MAMARONECK. NEW YORK		
		CONNECTOR, RECEPTACLE WITH PLUG		
STOCK SIZE		MATERIAL		
TYPE & TEMPER		HEAT TREAT. SPEC.	DRAWN	CHECKED
FINISH & SPEC. NO.		ELEC. DES. APP.	MECH. DES. APP.	FINAL APPROVAL

ISSUE ITEM	CHANGED FROM	DATE	CH. NO.	DRAFTS	CHECKER	ENG. APP.
TOLERANCES						
DEC. DIM. \pm FRAC. DIM. \pm ANGULAR DIM. \pm						
SCALE: MAXIMUM ALLOWABLE TOLERANCES HAVE BEEN DETERMINED AND ANY DEVIATIONS WILL BE CAUSE FOR REJECTION. REMOVE ALL BURRS AND SHARP EDGES						